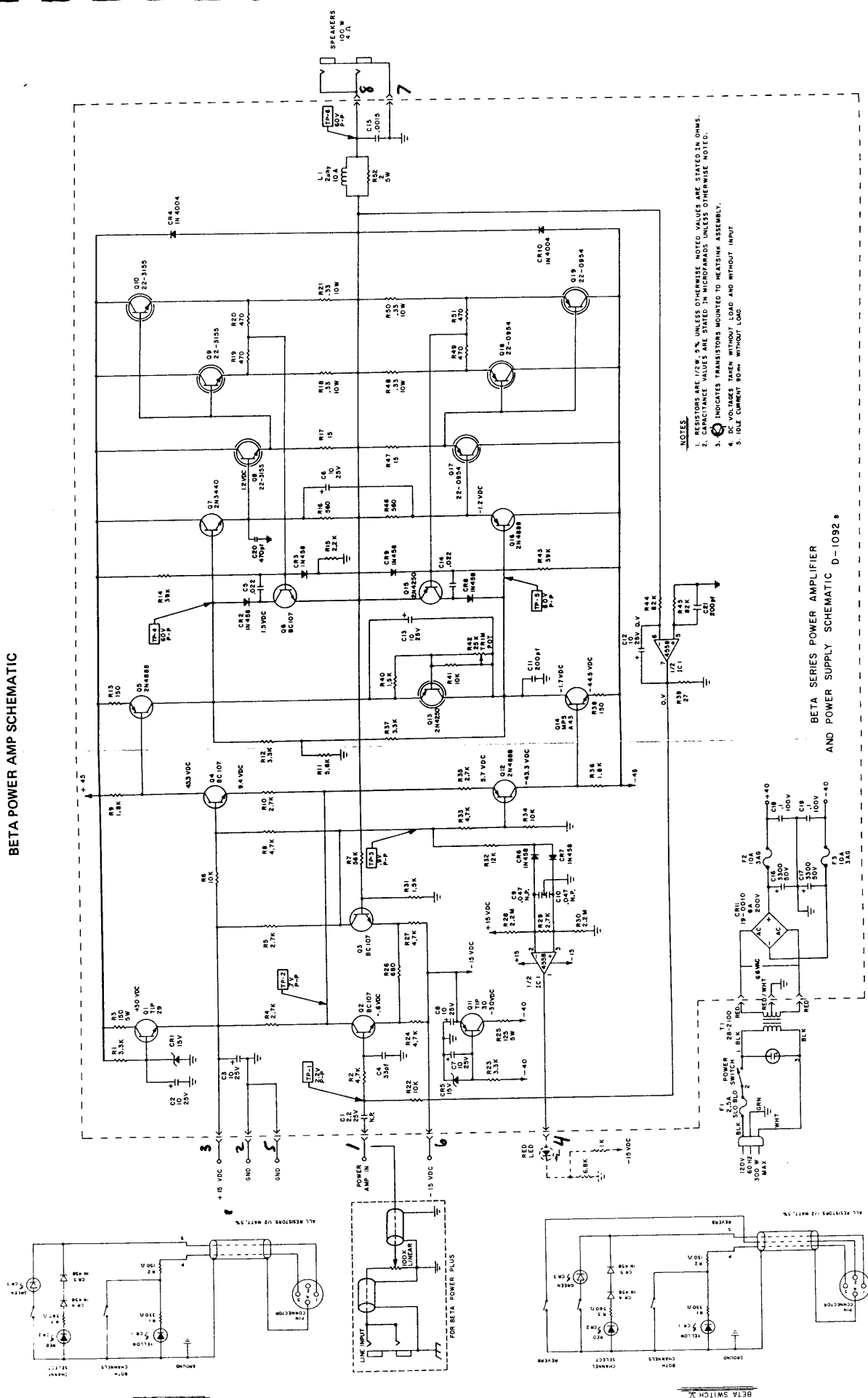


BETA POWER AMP SCHEMATIC



- NOTES**
1. DIMENSIONS ARE IN INCHES UNLESS OTHERWISE NOTED. VALUES ARE STATED IN OHMS.
 2. CAPACITANCE VALUES ARE STATED IN MICROFARADS UNLESS OTHERWISE NOTED.
 3. INDICATES TRANSISTORS MOUNTED TO HEATSINK ASSEMBLY.
 4. INDICATES TRANSFORMERS MOUNTED TO HEATSINK ASSEMBLY.
 5. D.C. CURRENT 80mA WITHOUT LOAD.

BETA SERIES POWER AMPLIFIER
AND POWER SUPPLY SCHEMATIC D-1092 B