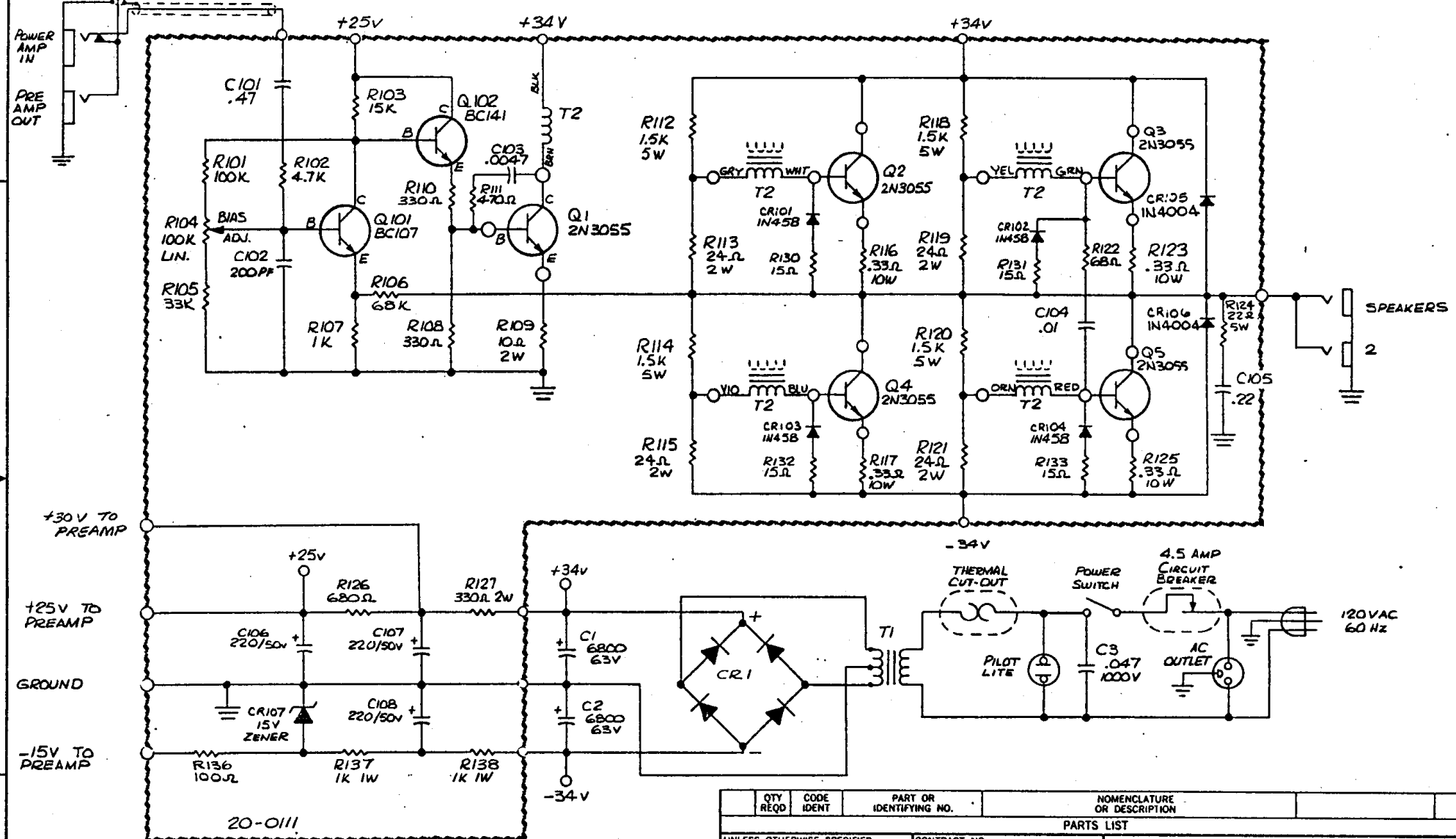
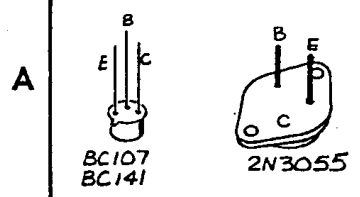


Concert Lead

REVISIONS				
ZONE	LTR	DESCRIPTION	DATE	APPROVED
A		ECN C-016	12-13-76	
B		RENUMBER TO ASSEE W/F. 2ND NUMERATE	12-1-77	



20-0111
32-2012



QTY REQD	CODE IDENT	PART OR IDENTIFYING NO.	NOMENCLATURE OR DESCRIPTION
PARTS LIST			
UNLESS OTHERWISE SPECIFIED DIMENSIONS ARE IN INCHES TOLERANCES ARE:		CONTRACT NO.	
FRACTIONS	DECIMALS	ANGLES	
±	.XX ±	±	
	.XXX ±		
MATERIAL		APPROVALS	DATE
		DRAWN <i>DUFFY</i>	8-8-75
		CHECKED	
FINISH		SIZE CODE IDENT NO. DRAWING NO.	
CONCERT LEAD		C D 1079 B	
BASS, KEYBO		SCALE SHEET OF	
NEXT ASSY	USED ON	DO NOT SCALE DRAWING	
APPLICATION		SHEET OF	