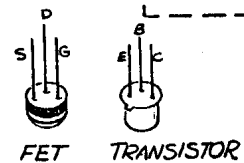
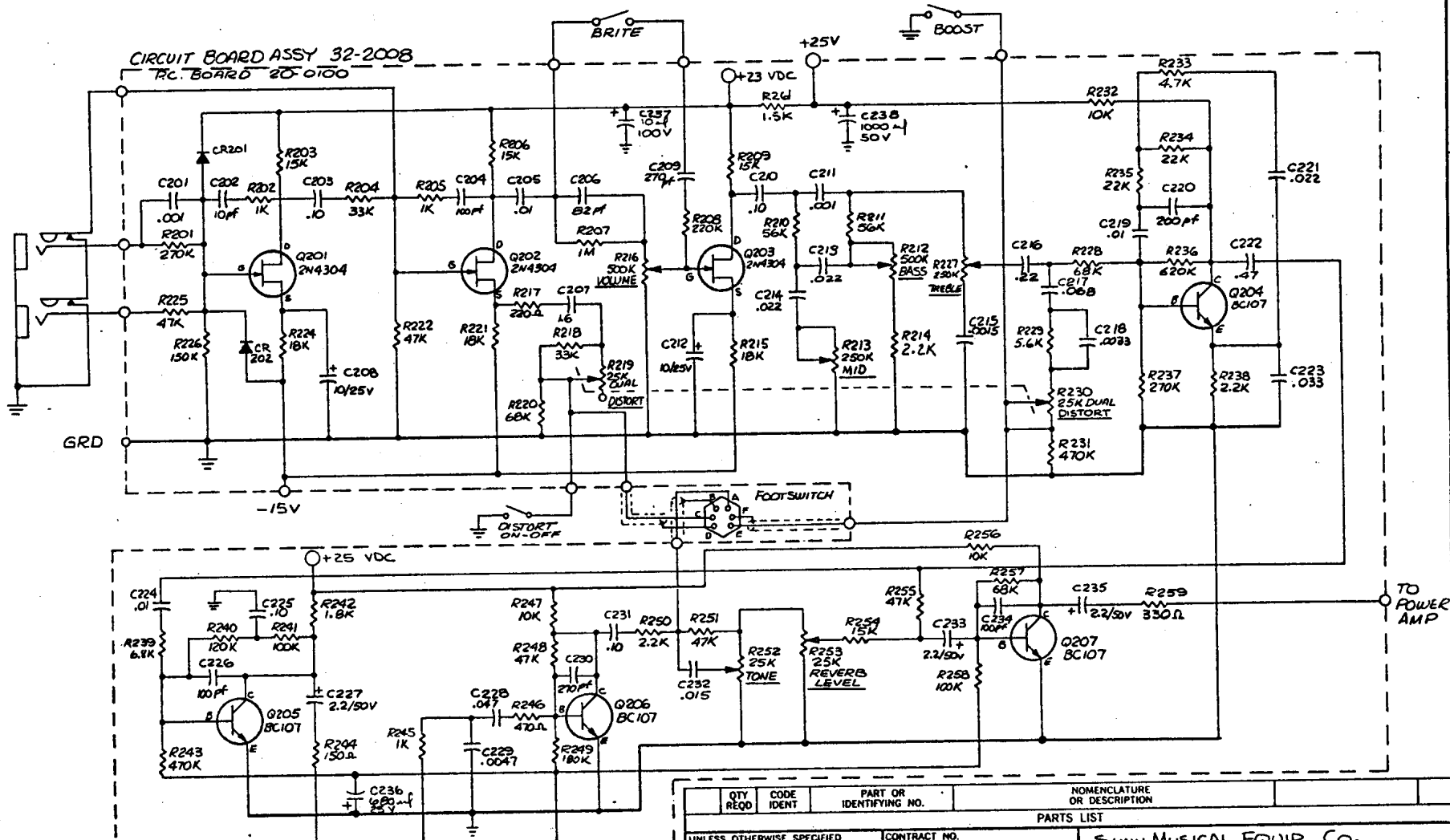


REVISIONS				
ZONE	LTR	DESCRIPTION	DATE	APPROVED
A		ADDED C237, C23P, C23W, R241; DELETED R223	11-22-77	...
B		CHG. VALUES TO 462ES w/SAMPLE R242 AND 3.7K R245 AND 100K	11-24-77	N.A.



ALL RESISTORS 1/2 W 5%  
CAPACITORS IN MFD

QTY REQD	CODE IDENT	PART OR IDENTIFYING NO.	NOMENCLATURE OR DESCRIPTION	
PARTS LIST				
UNLESS OTHERWISE SPECIFIED DIMENSIONS ARE IN INCHES TOLERANCES ARE:		CONTRACT NO.		
FRACTIONS	XX ±	DECIMALS	XXX ±	ANGLES
				±
MATERIAL		APPROVALS		
FINISH		DATE		
NEXT ASSY		DRAWN G.D. 8-2-75		
USED ON		CHECKED		
APPLICATION		SUNN MUSICAL EQUIP. Co. TUALATIN OREGON 97062		
DO NOT SCALE DRAWING		SCHEMATIC DIAGRAM PRE-AMP CONCERT LEAD		
SIZE	CODE IDENT NO.	DRAWING NO.		
C		D-1078 B		
SCALE		SHEET / OF /		