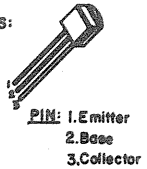


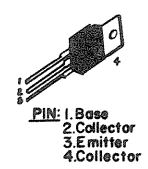
REVISIONS			
LTR	DESCRIPTION	DATE	APPROVED
A	Revised	5/1/80	Special R

**TRANSISTOR PINOUTS:**

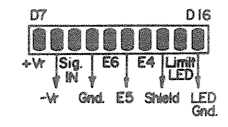
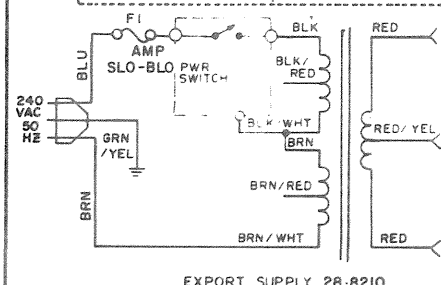
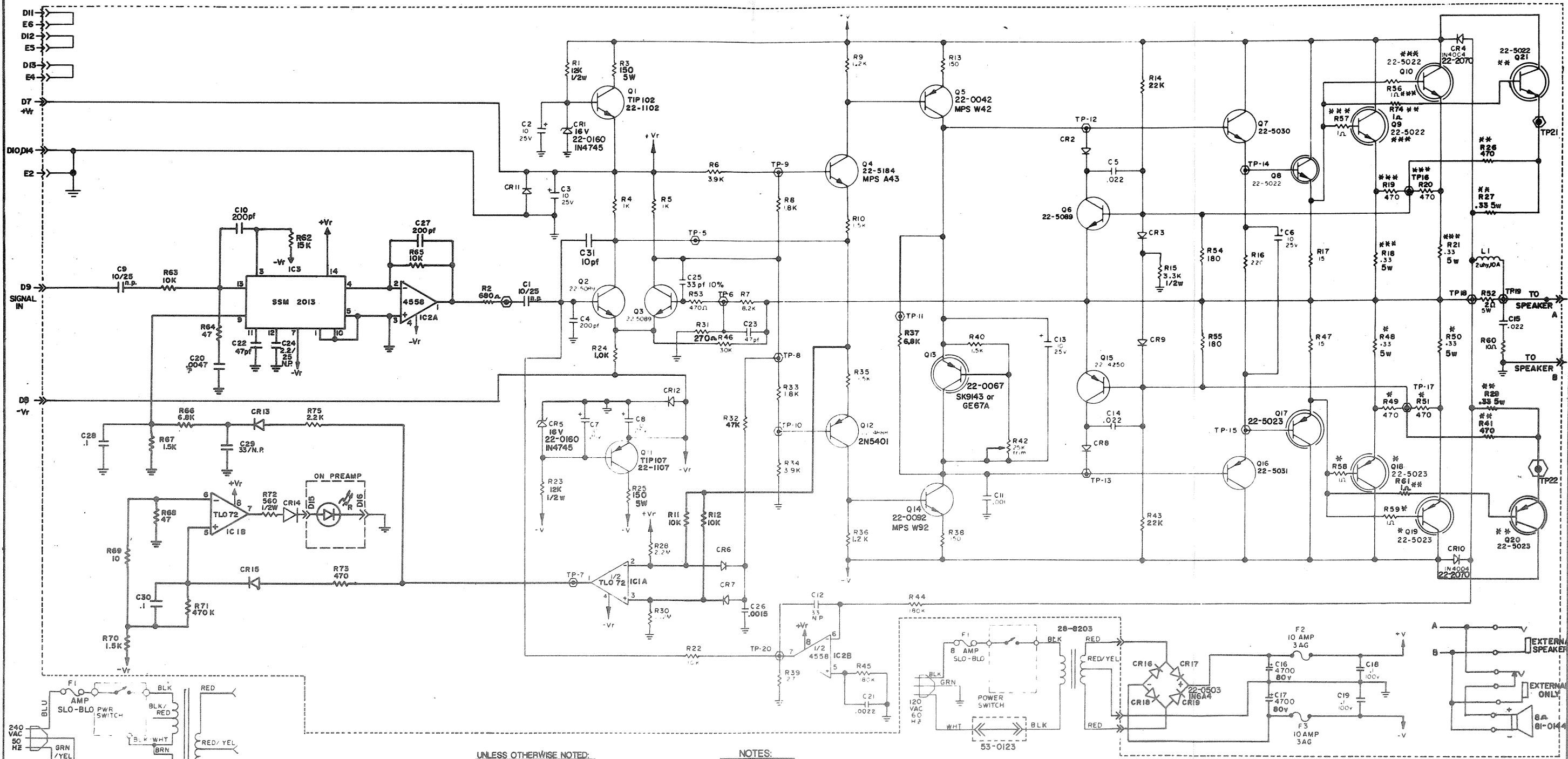
MPS A43  
2N5089  
2N5401  
2N4888  
2N4250  
SK9143  
MPS W43  
MPS W93



TIP102  
TIP107  
MJE 15036  
MJE 15031



MJ 15016  
MJ 15022  
MJ 15023



**UNLESS OTHERWISE NOTED:**

- All Resistors are 1/4 W 5%, Values in ohms.
- All Capacitor values are given in microfarads/voltage.
- All Diodes are IN4148.

**NOTES:**

- Bias Setting:**  
Turn Bias pot fully CCW connect a 2 ohm load across the output. Inject a 1KHz sinewave and set output to 1/3 of the rated power (100 Watts at 2 ohms = 14 VRMS). After 30 seconds, disconnect input signal and load and set bias pot for an indication of 15 mVdc ± 5mv across TP21 and TP22.
- Components marked with (1)\* are located on output module 1.
- Components marked with (2)\* are located on output module 2.
- Components marked with (3)\* are located on output module 3.

TOLERANCES UNLESS OTHERWISE SPECIFIED FRACTIONS DEC ANGLES			
APPROVALS	DATE	SUNN MUSICAL EQUIP CO.	
		SCHEMATIC, SB 200	
		POWER AMPLIFIER A	
CHECKED	SCALE	SIZE	DRAWING NO.
	FULL	D	
DO NOT SCALE DRAWING SHEET 1 of 1			