

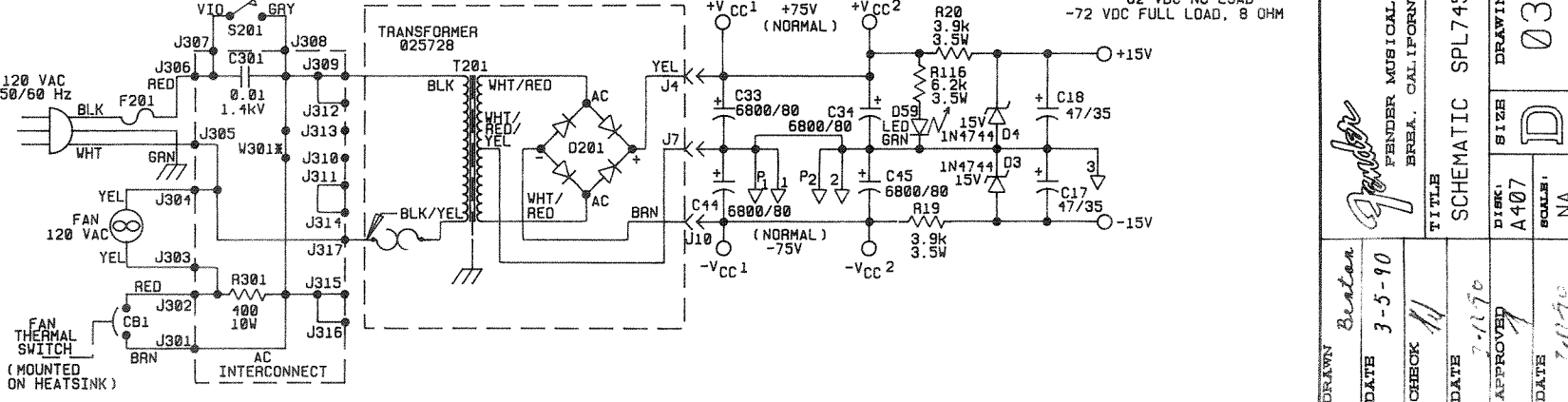
7. R109, 110, 122, 123 ARE CARBON COMPOSITION.
 6. DESIGNATORS D37 THRU D40 & D45,46,53,54 ARE NOT USED.
 5. (F) DENOTES FUSE RESISTOR.
 4. ADJUST BIAS CONTROL TO OBTAIN 10 ± 2mV DC FROM Q45 EMITTER TO Q37 EMITTER FOR CH. A, AND FROM Q54 EMITTER TO Q51 EMITTER FOR CH. B. ADJUST WITH NO LOAD CONNECTOR AND A COOL HEATSINK.
 3. ALL SIGNAL DIODES ARE 1N4448.
 2. ALL CAPACITOR VALUES ARE IN MICROFARADS UNLESS SPECIFIED.
 1. ALL RESISTOR VALUES ARE IN OHMS, 1/4W 1% UNLESS SPECIFIED.
- NOTES:

EXPORT TRANSFORMER CONNECTIONS				
TRANSFORMER LEAD NUMBER	100 VOLT	120 VOLT	220 VOLT	240 VOLT
1	BLACK	J310	J309	J310
2	WHITE	J309	J310	J309
3	BLK/YEL	J311	J311	J315
4	BLK/GRN	J316	J312	J316
5	BLK/WHT	J312	J313	J313
6	BLK/RED	J314	J314	J314
7	WHT/BLU	J317	J317	J317

T201. PN025903
1 BLK
2 WHT
3 BLK/YEL
4 BLK/GRN
5 BLK/WHT
6 BLK/RED
7 WHT/BLU

REMOVE JUMPER W301 ON AC INTERCONNECT BOARD

FUSE VALUE, F201	20 AMP SLO BLO	15 AMP SLO BLO	8 AT	8 AT
WHT/BLU				



REV. A

DRAWING NUMBER 036739

TITLE SCHEMATIC SPL7450

FENDER MUSICAL INSTRUMENTS CORP.
BREA, CALIFORNIA 92621

DATE 3-5-90

CHECK

DATE 7-11-90

APPROVED

DATE 7-11-90

0036740000