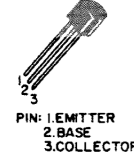
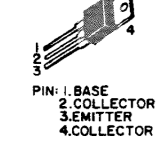


TRANSISTOR PRODUCTS

MPS A43
2N5089
2N5401
2N4888
2N4250
MPS W42
MPS W92
SK9143 or GE67A



TIP 102
TIP 107
MJE 15030
MJE 15031

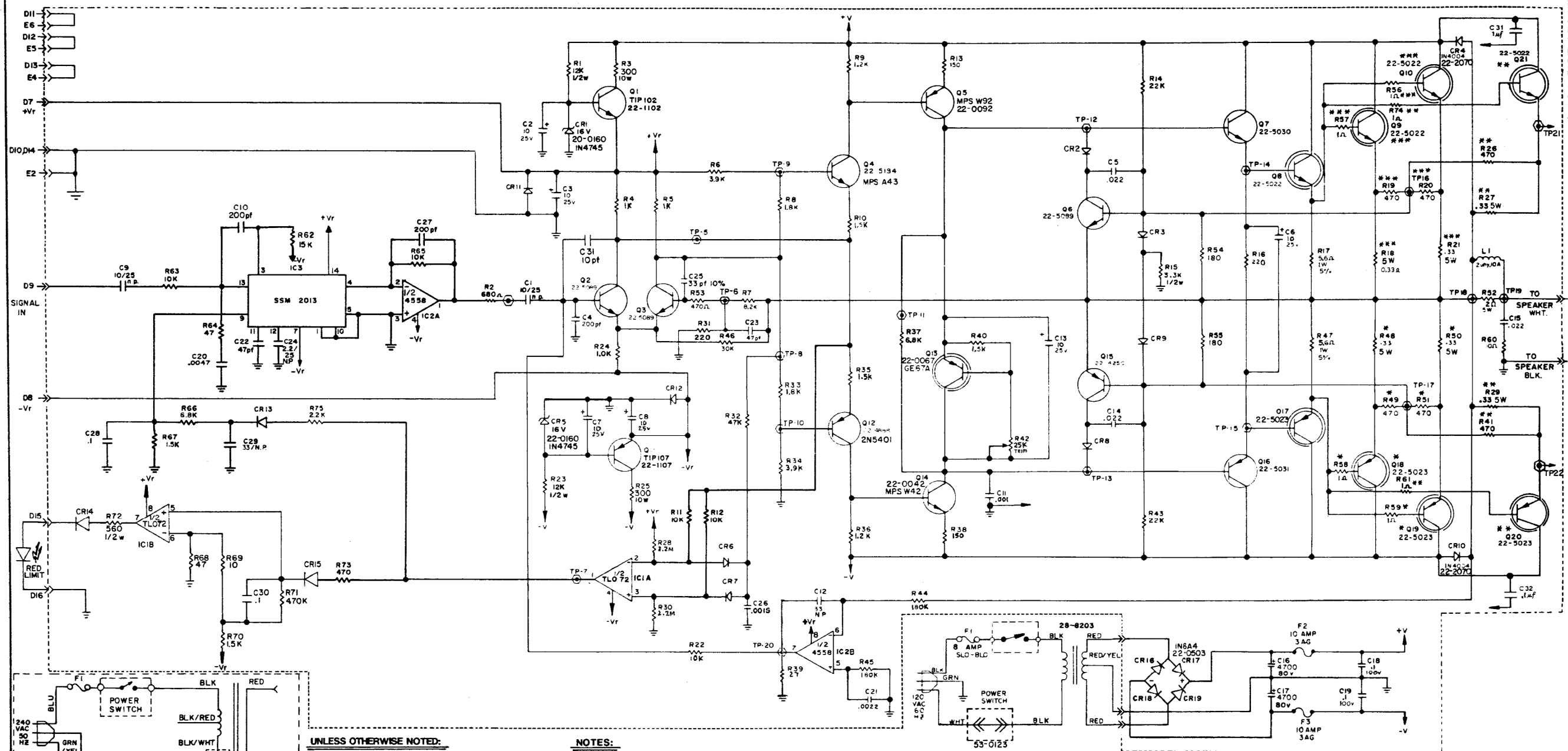


MJ 15022
MJ 15023



PIN: 1.BASE
2.EMITTER
CASE: COLLECTOR

LTR	DESCRIPTION	DATE	APPROVED
A	ADD S-11 A-C	9/18/86	Special K
B	ADD C31 & C32 TO L0103A	12/1/86	SpK



UNLESS OTHERWISE NOTED:

- 1. All Resistors are 1/4 watt 5%, values in ohms.
- 2. All Capacitor values are given in microfarads/voltage.
- 3. All Diodes are IN4148.

NOTES:

- 1. **BIAS SETTING:**
Turn BIAS Pot fully CCW. Adjust bias voltage pot for 350mV ±0-20mV either resistor R17 or R47 after one minute of warm up. From a cold start.
- 2. Components marked with (1)* are located on Output Module 1.
- 3. Components marked with (2)* are located on Output Module 2.



SX6350 & SX8350

TOLERANCES UNLESS OTHERWISE SPECIFIED
FRACTIONS DEC ANGLES

sunno

SCHMATIC, REV. B

POWER AMPLIFIER

APPROVALS: _____ DATE: _____

CHECKED: _____

SCALE: _____ SIZE: _____ DRAWING NO: _____

FULL ID: 32-2220

A PRODUCT OF: **Fender** MUSICAL INSTRUMENTS