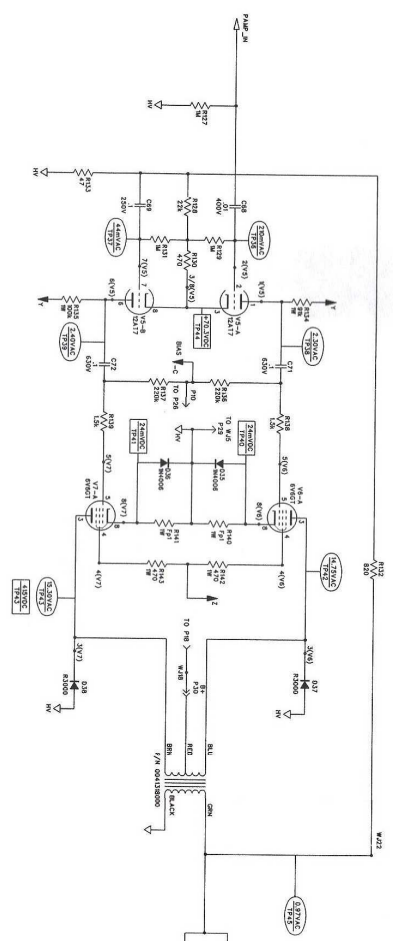
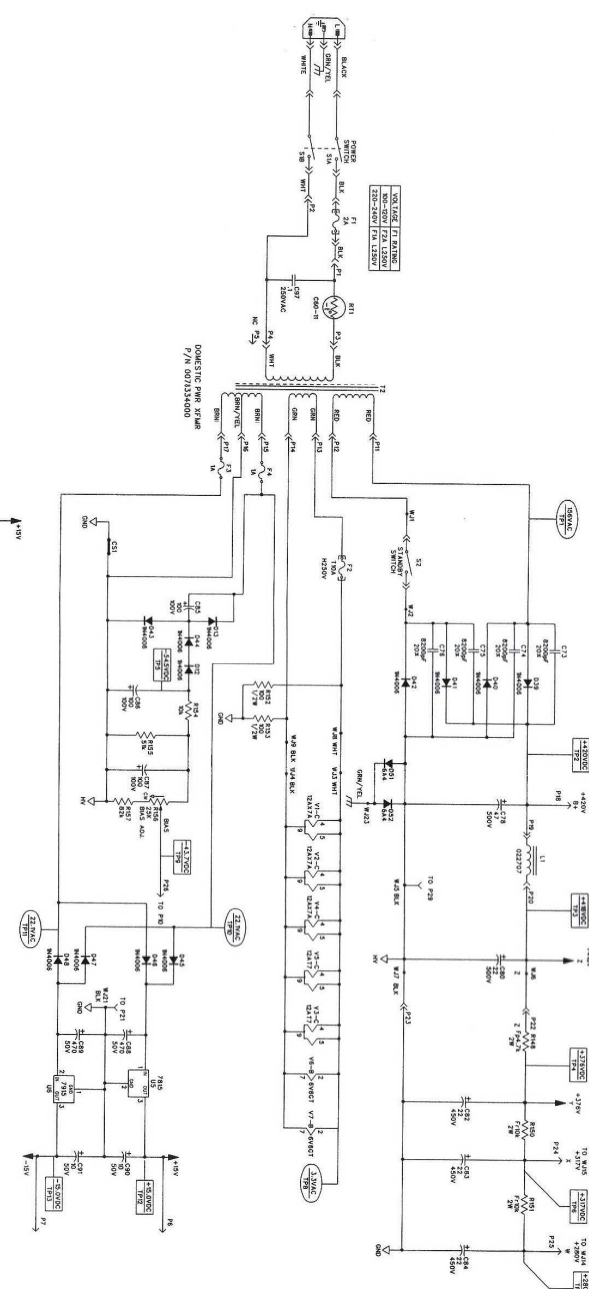
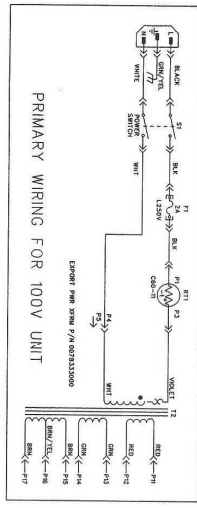
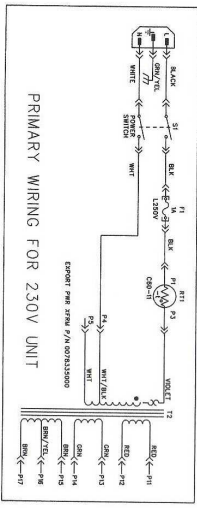
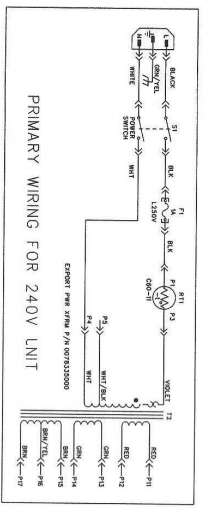


REV.	DESCRIPTION	DATE	APPROVED
A	PR304	08-JAN-10	LEL



NOTE: 1. 250V TAP IS USED FOR 240V OPERATION. 2. 125V TAP IS USED FOR 120V OPERATION. 3. 0-250V TAP IS USED FOR 0-250V OPERATION. 4. 0-125V TAP IS USED FOR 0-125V OPERATION. 5. 125V TAP IS USED FOR 125V OPERATION. 6. 250V TAP IS USED FOR 250V OPERATION. 7. 0-250V TAP IS USED FOR 0-250V OPERATION. 8. 0-125V TAP IS USED FOR 0-125V OPERATION. 9. 125V TAP IS USED FOR 125V OPERATION. 10. 250V TAP IS USED FOR 250V OPERATION. 11. 0-250V TAP IS USED FOR 0-250V OPERATION. 12. 0-125V TAP IS USED FOR 0-125V OPERATION.

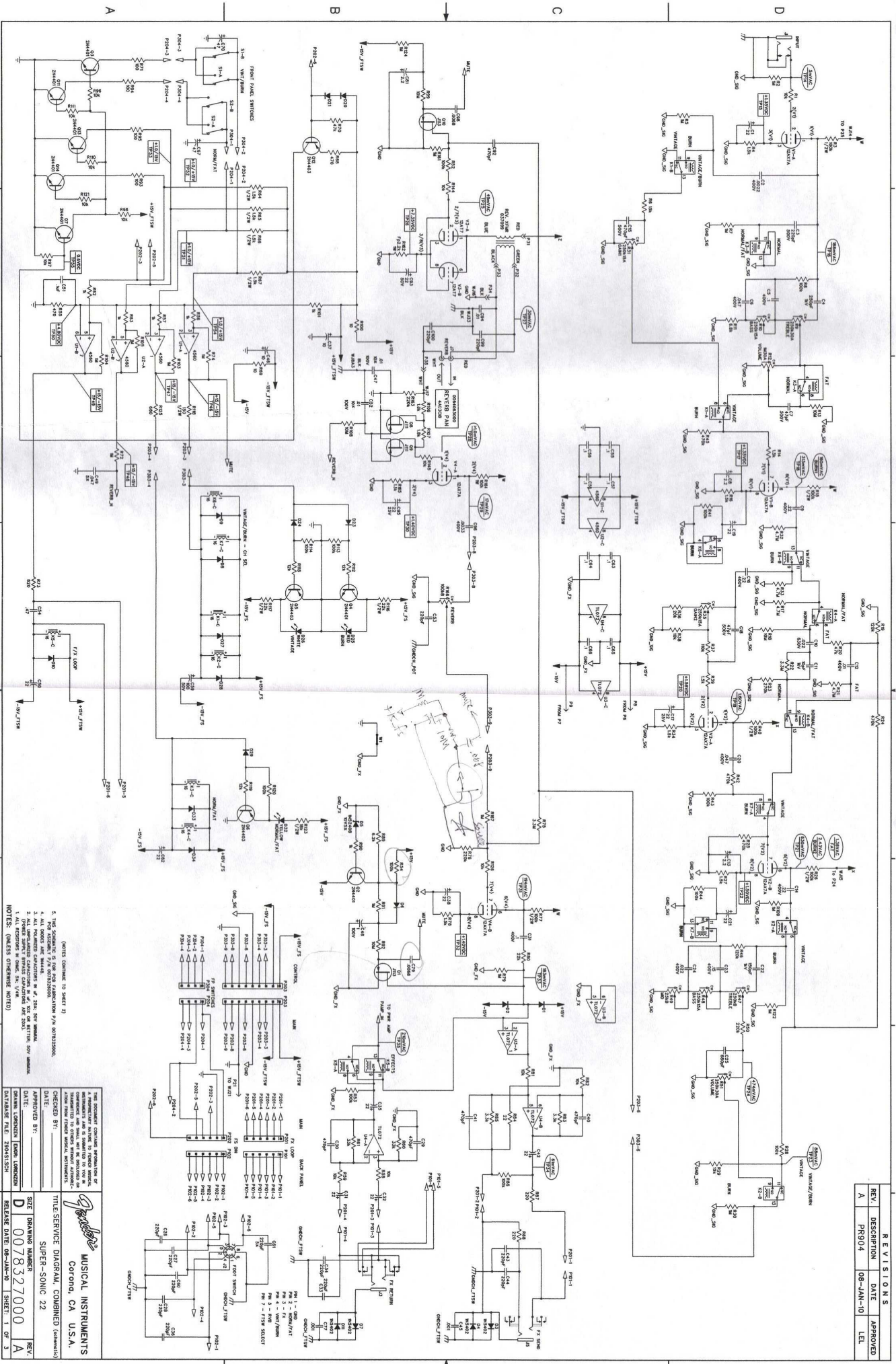


NOTE: 1. 250V TAP IS USED FOR 240V OPERATION. 2. 125V TAP IS USED FOR 120V OPERATION. 3. 0-250V TAP IS USED FOR 0-250V OPERATION. 4. 0-125V TAP IS USED FOR 0-125V OPERATION. 5. 125V TAP IS USED FOR 125V OPERATION. 6. 250V TAP IS USED FOR 250V OPERATION. 7. 0-250V TAP IS USED FOR 0-250V OPERATION. 8. 0-125V TAP IS USED FOR 0-125V OPERATION. 9. 125V TAP IS USED FOR 125V OPERATION. 10. 250V TAP IS USED FOR 250V OPERATION. 11. 0-250V TAP IS USED FOR 0-250V OPERATION. 12. 0-125V TAP IS USED FOR 0-125V OPERATION.

APPROVED BY: *[Signature]*
 DATE: 0078327000
 TITLE: SERVICE DIAGRAM, COMBINED (continued)
 SUPER-SONIC 22
 DRAWN: LINDSEY [initials] LINDSEY
 CHECKED BY: [initials]
 DATE: [initials]
 RELEASE DATE: 08-JAN-10 SHEET: 2 OF 3

MUSICAL INSTRUMENTS
 CORP., U.S.A.
 SUPER-SONIC 22

REVISIONS			
REV.	DESCRIPTION	DATE	APPROVED
A	PR904	08-JAN-10	LEL



- (NOTE: CONTINUE TO SHEET 2)
1. THE SCHEMATIC IS FOR THE LAMPSON/PA OPTION.
 2. ALL RESISTOR VALUES ARE IN OHMS UNLESS OTHERWISE SPECIFIED.
 3. ALL CAPACITOR VALUES ARE IN P.F. UNLESS OTHERWISE SPECIFIED.
 4. ALL DIMENSIONS ARE IN INCHES UNLESS OTHERWISE SPECIFIED.
 5. ALL DIMENSIONS ARE IN MILLIMETERS UNLESS OTHERWISE SPECIFIED.

TITLE SERVICE DIAGRAM COMBINED (continued)
 SUPER-SONIC 22
 SIZE DRAWING NUMBER
 DATE 078327000
 CHECKED BY: _____
 APPROVED BY: _____
 DRAWN: LAMBERT DATE: _____
 REVISION: _____
 RELEASE DATE: 08-JAN-10 SHEET: 1 OF 3