

FENDER VACUUM TUBE 60 SERIES AMPLIFIERS

SUPER 60 -- PART NUMBER 21-6400  
 SUPER 60 HEAD -- PART NUMBER 21-6407  
 SUPER 60 RACK -- PART NUMBER 21-6408

PARTS LIST PAGE 1 OF 7

This list itemizes parts common to all 60 series models. Parts not common to all include the appropriate model name. A coded naming convention is used in the description of certain parts. The codes and what they mean follow:

RESISTOR CODES

RESCF carbon film

CAPACITOR CODES

CAPCD ceramic disc  
 CAPRF radial film

RESISTOR CODES

RESWW wirewound

CAPACITOR CODES

CAPAE axial electrolytic  
 CAPRE radial electrolytic

**CIRCUIT BOARD ASSEMBLY:**

QTY	PART #	DESCRIPTION	REFERENCE DESIGNATION
1	031205	CKT BD ASS'Y 100V	CK1 (SUPER 60)
1	028920	CKT BD ASS'Y 120V	CK1 (SUPER 60)
1	031204	CKT BD ASS'Y 220/240V	CK1 (SUPER 60)
1	031214	CKT BD ASS'Y 100V	CK1 (S60 HEAD)
1	031212	CKT BD ASS'Y 120V	CK1 (S60 HEAD)
1	031213	CKT BD ASS'Y 220/240V	CK1 (S60 HEAD)
1	031220	CKT BD ASS'Y 100V	CK1 (S60 RACK)
1	029845	CKT BD ASS'Y 120V	CK1 (S60 RACK)
1	031218	CKT BD ASS'Y 220/240V	CK1 (S60 RACK)
8	027683	BARREL TERMINAL POST	BT1-6,BT201,202
5	031194	CABLE RIBBON 2 CKT 2"	CB1
3	012964	CABLE TIE 4"	CT1
3	025960	CAPAE 16V 22uF	C101,106,108
4	028953	CAPAE 350V 100uF	C131-134
2	024819	CAPAE 500V 22uF 10%	C135,136
1	060962	CAPCD 1KV 1000pF 10%	C10
2	069724	CAPCD 1KV 100pF 10%	C4,137
1	025777	CAPCD 1KV 470pF 10%	C103
2	025979	CAPCD 1KV 50pF 10%	C120,113
2	025951	CAPCD 1KV 750pF 10%	C8,3
1	031875	CAPRE 470V 50uF	C127
3	031040	CAPRE 100V 100uF	C126,129,130
2	028465	CAPRE 25V 22uF 20%	C110,117
1	028471	CAPRE 50V 47uF 20%	C128
2	027257	CAPRF 100V.0022 10%	C109,112
1	024876	CAPRF 250V .68uF 10%	C104

FENDER VACUUM TUBE 60 SERIES AMPLIFIERS

PARTS LIST PAGE 2 OF 7

CIRCUIT BOARD ASSEMBLY (CONTINUED):

QTY	PART #	DESCRIPTION	REFERENCE DESIGNATION
2	025962	CAPRF 400V .0047uF	C102,105
1	024845	CAPRF 400V .047uF	C7
4	024835	CAPRF 630V .022uF	C124,107,125,122
1	024855	CAPRF 630V .1uF 10%	C6
3	027272	CAPRF 63V .047uF 10	C116,111,118
1	027280	CAPRF 63V .15uF 10%	C115
3	027278	CAPRF 63V .1uF 10%	C2,9,123
1	027281	CAPRF 63V .22uF 10%	C1
3	027286	CAPRF 63V .47uF 10%	C114,119,121
1	028919	CIRCUIT BOARD FAB	PC1
1	026046	CTRL 1MEG 10A DUAL (GAIN)	R5
1	024663	CTRL 1MEG 30A (DIST VOL)	R16
2	028576	CTRL 250K 10A (BASS TREB)	R12,14
1	024662	CTRL 250K 30A (VOL)	R8
1	029500	CTRL 25K 10A (MID)	R13
1	029503	CTRL 25K 10C (PRESENCE)	R18
1	029501	CTRL 5K B (REVERB)	R17
2	029690	DIODE 3KV 200MA R3000	D101,102
6	026730	DIODE RECT 1A 800V 1N5062	D103-108
1	006260	DIODE SIGNAL 75PRV 1N4448	D109
4	064089	DIODE RECT 1A 200V 1N4003	D201-204 (S60 RACK)
30	025802	FASTON TAB, .250	CP101,102,106,107,120 +C112-117,122-140
1	026559	FUSE 3A SLO BLO	XF1 (100V MODELS)
1	013737	FUSE 4A SLO BLO	XF2 (100V MODELS)
1	021717	FUSE 2.5A SLO BLO	F1 (120V MODELS)
1	026559	FUSE 3A SLO BLO	F2 (120V MODELS)
1	013114	FUSE 1.6AT	XF1 (220/240V MODELS)
1	013115	FUSE 2AT	XF2 (220/240V MODELS)
1	013109	FUSE 250mAT	XF5 (220/240V MODELS)
1	013112	FUSE 1AT	XF4 (220/240V MODELS)
1	013681	FUSE 5AT	XF3 (220/240V MODELS)
1	022547	FUSE CAP, CARRIER 3AG	AT XF1 (120/100V)
1	022548	FUSE CAP, CARRIER 5mm	AT XF1 (220/240V)
6	020775	FUSE CLIP 5mm	AT XF3-5 (220/240V)
2	025996	FUSE CLIP DUAL	AT XF2 (ALL)
1	022546	FUSE HOLDER	AT XF1 (ALL)
5	025929	JACK MONO (IN/FTSW/EF/LIN)	J1-3,101,103
1	025929	JACK MONO (SPKR 8 OHM)	J105 (S60 HEAD/RACK)
2	025931	JACK STER (PWR AM IN/SPKR)	J104,102
10	026043	JUMPERS .8"	W102,103,106,118 +W109-114
1	025926	LED RED PCBM (OVERDRIVE)	LD1
1	027287	LED RED PANEL MT (PILOT)	LD101
3	028098	LED GREEN	LD204-206 (S60 RACK)

FENDER VACUUM TUBE 60 SERIES AMPLIFIERS

PARTS LIST PAGE 3 OF 7

CIRCUIT BOARD ASSEMBLY (CONTINUED):

QTY	PART #	DESCRIPTION	REFERENCE DESIGNATION
2	028097	LED YELLOW	LD202,203 (S60 RACK)
1	028039	LED RED	LD201 (S60 RACK)
6	470144	LED SPACER .700	AT LD201-6 (S60 RACK)
2	016795	OP-AMP DUAL JFET TL072CP	U101,102
3	031244	OPTOISOLATOR DUAL VTL5C3/2	OP1-3
1	031767	RESCF 1/2W 15ohm 5%	R202 (S60 RACK)
1	025937	RESCF 1/2W 22ohm 5%	R151
1	031768	RESCF 1/2W 27ohm 5%	R203 (S60 RACK)
1	031769	RESCF 1/2W 75ohm 5%	R205 (S60 RACK)
3	025116	RESCF 1/2W 100K 5%	R101,105,145
1	026368	RESCF 1/2W 100ohm 5%	R161
1	025113	RESCF 1/2W 10K 5%	R158
1	025117	RESCF 1/2W 220K 5%	R112
1	026512	RESCF 1/2W 3.9K 5%	R157
1	027869	RESCF 1/2W 470ohm 5%	R155
3	025109	RESCF 1/2W 47ohm 5%	R159,160 (R204 RACK)
1	025941	RESCF 1/2W 560ohm 5%	R149
1	031065	RESCF 1/2W 91K 5%	R140
1	024967	RESCF 1/4W 1.2K 5%	R19
2	024981	RESCF 1/4W 10K 5%	R130,122
2	024965	RESCF 1/4W 1K 5%	R128,156
1	024987	RESCF 1/4W 22K 5%	R132
1	024947	RESCF 1/4W 47ohm 5%	R120
1	029598	RESCF 1/4W 110ohm 5%	R206 (S60 RACK)
1	024942	RESCF 1/4W 220ohm 5%	R207 (S60 RACK)
4	024995	RESCF 1/4W 68K 5%	R1,2,169,108
2	025071	RESCF 1/4W 1.2M 5%	R125,117
5	024969	RESCF 1/4W 1.5K 5%	R102,113,141,144,124
6	024997	RESCF 1/4W 100K 5%	R109,10,114,127,142 +R143
1	024952	RESCF 1/4W 100ohm 5%	R150
1	024998	RESCF 1/4W 120K 5%	R131
1	024999	RESCF 1/4W 150K 5%	R116
3	025069	RESCF 1/4W 1M 5%	R3,9,172
2	024972	RESCF 1/4W 2.7K 5%	R6,106
3	025059	RESCF 1/4W 220K 5%	R110,126,129
2	025060	RESCF 1/4W 270K 5%	R4,7
1	024988	RESCF 1/4W 27K 5%	R148
1	024973	RESCF 1/4W 3.3K 5%	R111
3	025063	RESCF 1/4W 390K 5%	R103,107,115
1	024991	RESCF 1/4W 39K 5%	R118
1	024977	RESCF 1/4W 4.7K 5%	R119
6	025065	RESCF 1/4W 470K 5%	R15,133,134,137,121 +R123

FENDER VACUUM TUBE 60 SERIES AMPLIFIERS

PARTS LIST PAGE 4 OF 7

CIRCUIT BOARD ASSEMBLY (CONTINUED):

QTY	PART #	DESCRIPTION	REFERENCE DESIGNATION
2	024979	RESCF 1/4W 6.8K 5%	R136,138
1	024963	RESCF 1/4W 680ohm 5%	R135
1	026510	RESCF 1/4W 9.1K 5%	R139
1	031076	RESCF 1W 120K 5%	R167
4	027354	RESCF 1W 220K 5%	R162-165
1	031066	RESCF 1W 2K 5%	R152
2	028740	RESCF 1W 470ohm 5%	R146,147
2	031067	RESCF 1W 750ohm 5%	R154,153
1	031251	RESWW 5W 82ohm 10%	R201 (S60 RACK)
14	020888	RESISTOR ZERO OHM	W1-W5,101,104,105,107 +W108,115-117,119
1	026483	RESWW 10W 2.7K 10%	R166
1	026486	RESWW 10W 30k 10%	R168
4	016440	STAND OFF ALUM 6-32 x 1"	SF1-4
2	025804	STAND OFF ALUM 6-32 x 1/2"	SF5,6 (S60 RACK)
1	028091	SWITCH 2P2T (OVERDRIVE)	SW3
1	028101	SWITCH PUSH BUTTON	AT SW3
1	026446	SWITCH VOLTAGE SELECTOR	SW4 (220/240V)
4	029962	TUBING FIBER .08 x .5"	AT R168,166
3	029167	TUBE SOCKET 12AX7A	V101-103
2	029343	TUBE SOCKET 6L6	V104,105
1	031157	WIRE SET	WS1
2	009165	ZENER 15V 1W 10% 1N4744A	Z101 Z102
1	031635	ZENER 10V .5W 5% 1N5240	Z1
1	031256	ZENER 19V 5W 5% 1N5356B	Z201 (S60 RACK)
5	031017	ZENER 2.7V .5W 5% 1N5223B	Z202-206 (S60 RACK)

MISCELLANEOUS:

QTY	PART #	DESCRIPTION	REFERENCE DESIGNATION
1	021709	BUSHING STRAIN RELIEF	SR1
1	026038	BUSHING STRAIN RELIEF	SR2
1	026116	BUSHING STRAIN RELIEF	SR3
1	028069	BUSHING NYL 3/4 x 1-1/8	SR4
1	031263	BUSHING NYL 3/4 x 15/16	SR5
1	026541	CABLE ASS'Y PWR 100/120V	CB1
1	028577	CABLE ASS'Y REVERB 30"	CB2
1	022707	CHOKE FILTER	L1
1	022491	CLAMP CABLE NYL 5/16	CC1
2	031091	CLAMP TUBE	TC1
2	024752	CHASSIS STRAP NICKEL	NS1,2
1	028913	CHASSIS	CH1 (SUPER 60)
1	029836	CHASSIS	CH1 (S60 RACK)

FENDER VACUUM TUBE 60 SERIES AMPLIFIERS

PARTS LIST PAGE 5 OF 7

MISCELLANEOUS (CONTINUED):

QTY	PART #	DESCRIPTION	REFERENCE DESIGNATION
4	026566	CORNER AMP 2 HOLE	CN1-4
2	026568	CORNER AMP 3 HOLE	CO1-4
4	029821	EYELET RFLNGD .215 x .315	ET1-4
1	028890	FOOTSWITCH ASS'Y 1 BUTTON	FT1
4	019275	GLIDE CUSHION INSERT	GL1-4
4	019276	GLIDE CABINET	CG1-4
2	019279	HANDLE CAP	HC1
1	032524	HANDLE INSERT	HD1
1	023466	HANDLE STAMPED	HL1
8	025952	KNOB POINTER RED	K1-8
8	026402	KNOB POINTER BLK	K1-8
1	027288	LENS RED	LL1
8	021972	NUT 10-32 x 3/4 x 9/325	NT1-8
8	022004	NUT 8-32	NT9-16
2	069393	NUT 6-32 HEX EXT LOCK	NT17,18
4	026201	RUBBER GROMMET	G1-4
1	028055	REVERB PAN 3 SPRING	RP1
7	031172	SCREW 6.32 x 3/8 PHS SS	SC1-7
4	016188	SCREW WOOD OVAL HD 6 x 1	SC8-11
4	021366	SCREW SMAB 6 x 1 - 1/4	SC12-15
4	022236	SCREW M 8-32 x 3-1/4 OVH	SC16-19
4	026577	SCREW M 10-32 x 1 PHP BLK	SC20-23
2	410098	SCREW MA 4 x 3/8 PHPS BLX	SC24,25
4	022244	SCREW 10-32x 1-1/8 OVH	SC26-29
10	026571	SCREW CORNER MT.	SC30-39
2	026576	SCREW 8 x 5/8 TH BLK	SC40,41
4	026625	SCREW WOOD 8 x 1 FH	SC42-45
2	014999	SCREW M 6-32 x 1/4 PH BLK	SC46,47
7	017433	SCREW 6-32 x 3/8 PHP BLK	SC48-54
2	026314	SCREW 6 x 3/16 PH	SC55,56
8	026553	SCREW 8-32 x 3/8 PH PHS	SC57-64
4	030858	SCREW 8 x 5/8 PH NI	SC65-68
2	026479	SWITCH ROCKER (PWR/STBY)	SW1,2
1	018343	TRANSFORMER OUTPUT	T2
2	013341	VACUUM TUBE 7025/12AX7	V101,102
1	023531	VACUUM TUBE 12AT7	V103
2	023556	VACUUM TUBE 6L6GC	V104,105
1	026570	VINYL BLACK SQ. YD.	VB1
8	026564	WASHER FLAT .284 x .502	WW1-8
7	031153	WASHER FLAT FNSH 3/8 NI	WW9-15
1	028895	CABLE ASS'Y FTSW RT ANG	CB3
1	028109	HSG END CUP LEFT FTSW	EC1

FENDER VACUUM TUBE 60 SERIES AMPLIFIERS

PARTS LIST PAGE 6 OF 7

MISCELLANEOUS (CONTINUED):

QTY	PART #	DESCRIPTION	REFERENCE DESIGNATION
1	028143	HSG END CUP RIGHT FTSW	EC2
1	028891	HSG FTSW 1 BUTTON	EC3
1	028781	PCB ASS'Y FTSW 1 BUTTON	PCBD
1	028893	PLATE TOP FTSW 1 BUTTON	TP1
8	028889	SCREW SMB 6 x 1/4 PHP	SC68-75
2	028501	WASHER FLAT NKL	WW16,17
1	006260	DIODE 1N4448 SIGNAL	D110
1	025929	JACK PHONE PCB MONO	J106
1	028039	LED 5 x 5mm RED	LD2
1	028714	LED SPACER	LES1
1	028780	PCB FAB FTSW 1 BUTTON	PCF
1	028714	SWITCH PUSH SPDT	SW5
1	028820	CABINET BLACK	CT1 (SUPER 60)
1	031173	CABINET RED	CT1 (SUPER 60)
1	031174	CABINET GRAY	CT1 (SUPER 60)
1	031175	CABINET WHITE	CT1 (SUPER 60)
1	031176	CABINET SNAKE	CT1 (SUPER 60)
1	029992	CABINET BLACK	CT1 (S60 HEAD)
1	029994	CABINET RED	CT1 (S60 HEAD)
1	029995	CABINET GRAY	CT1 (S60 HEAD)
1	029996	CABINET WHITE	CT1 (S60 HEAD)
1	029997	CABINET SNAKE	CT1 (S60 HEAD)
1	026767	CABLE ASS'Y PWR 220/240V	CB1
1	031911	CABLE ASS'Y FAN	CF1 (S60 RACK)
1	029896	COOLING FAN 115V	FN1 (S60 RACK)
2	029837	CHASSIS COVER	VC1,2 (S60 RACK)
1	029839	CHASSIS BACK	BK1 (S60 RACK)
2	029840	RACK EAR	ER1,2 (S60 RACK)
1	031833	SHIELD	DS1 (S60 RACK)
1	031202	CHASSIS ASS'Y 100V	HS1 (SUPER 60)
1	028924	CHASSIS ASS'Y 120V	HS1 (SUPER 60)
1	031200	CHASSIS ASS'Y 220/240V	HS1 (SUPER 60)
1	031209	CHASSIS ASS'Y 100V	HS1 (S60 HEAD)
1	031207	CHASSIS ASS'Y 120V	HS1 (S60 HEAD)
1	031208	CHASSIS ASS'Y 220/240V	HS1 (S60 HEAD)
1	031216	CHASSIS ASS'Y 100V	HS1 (S60 RACK)
1	029844	CHASSIS ASS'Y 120V	HS1 (S60 RACK)
1	031215	CHASSIS ASS'Y 220/240V	HS1 (S60 RACK)
1	028922	GRILLE ASS'Y GRAY	GL1 (SUPER 60)
1	031178	GRILLE ASS'Y BLACK	GL1 (SUPER 60)
1	029993	GRILLE ASS'Y GRAY	GL1 (S60 HEAD)
1	029998	GRILLE ASS'Y BLACK	GL1 (S60 HEAD)
1	029832	LABEL REAR 100V	RL1 (SUPER 60)

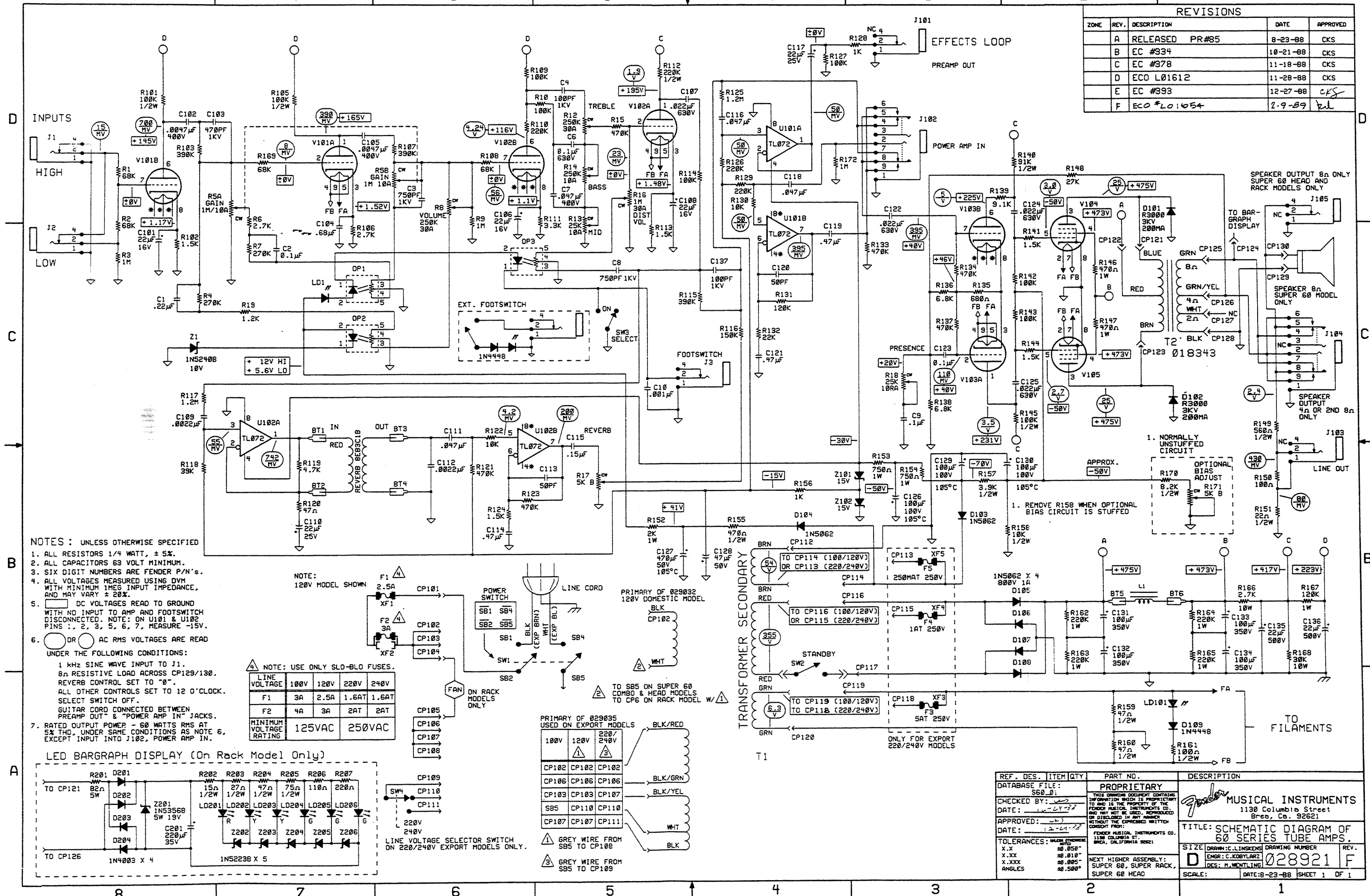
FENDER VACUUM TUBE 60 SERIES AMPLIFIERS

PARTS LIST PAGE 7 OF 7

MISCELLANEOUS (CONTINUED):

QTY	PART #	DESCRIPTION	REFERENCE DESIGNATION
1	028935	LABEL REAR 120V	RL1 (SUPER 60)
1	029831	LABEL REAR 220/240V	RL1 (SUPER 60)
1	031160	LABEL REAR 100V	RL1 (S60 HEAD)
1	031159	LABEL REAR 120V	RL1 (S60 HEAD)
1	031162	LABEL REAR 220/240V	RL1 (S60 HEAD)
1	032022	LABEL REAR 100V	RL1 (S60 RACK)
1	031974	LABEL REAR 120V	RL1 (S60 RACK)
1	031976	LABEL REAR 220/240V	RL1 (S60 RACK)
1	029061	NAMEPLATE	NP1 (SUPER 60 & HEAD)
1	028929	OWNERS MANUAL	OM1
1	028917	PANEL FRONT	FP1 (SUPER 60 & HEAD)
1	028931	SCHEMATIC DIAGRAM	SD1
1	026488	SPEAKER 12"	SP1 (SUPER 60)
1	031155	TUBE PLACEMENT CHART	TL1
1	013736	WARRANTY SHEET	WY1
1	028925	WIRE SET CHASS	WS1 (SUPER 60)
1	031210	WIRE SET CHASS	WS1 (S60 HEAD)
1	031217	WIRE SET CHASS	WS1 (S60 RACK)
1	029032	XFMR PWR 120V	T1
1	029035	XFMR PWR EXPORT	T1

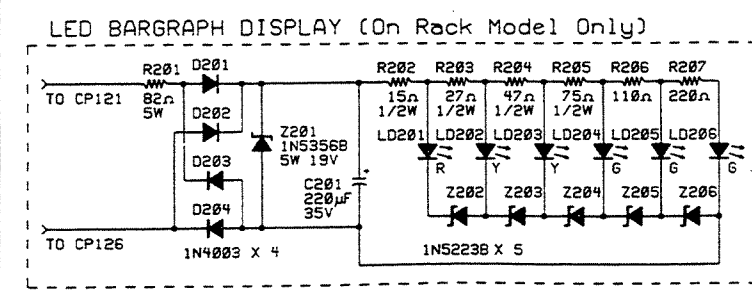
REVISIONS				
ZONE	REV.	DESCRIPTION	DATE	APPROVED
A	RELEASED	PR#35	8-23-88	CKS
B	EC #334		10-21-88	CKS
C	EC #378		11-18-88	CKS
D	ECO L01612		11-28-88	CKS
E	EC #393		12-27-88	CKS
F	ECO #L01054		2-9-89	ckl



- NOTES: UNLESS OTHERWISE SPECIFIED
1. ALL RESISTORS 1/4 WATT, ± 5%.
  2. ALL CAPACITORS 63 VOLT MINIMUM.
  3. SIX DIGIT NUMBERS ARE FENDER P/N's.
  4. ALL VOLTAGES MEASURED USING DVM WITH MINIMUM 1MEG INPUT IMPEDANCE, AND MAY VARY ± 20%.
  5. DC VOLTAGES READ TO GROUND WITH NO INPUT TO AMP AND FOOTSWITCH DISCONNECTED. NOTE: ON U101 & U102, PINS 1, 2, 3, 5, 6, 7, MEASURE -15V.
  6. OR AC RMS VOLTAGES ARE READ UNDER THE FOLLOWING CONDITIONS:  
1 kHz SINE WAVE INPUT TO J1.  
8Ω RESISTIVE LOAD ACROSS CP129/130.  
REVERB CONTROL SET TO "0".  
ALL OTHER CONTROLS SET TO 12 O'CLOCK.  
SELECT SWITCH OFF.  
GUITAR CORD CONNECTED BETWEEN PREAMP OUT & "POWER AMP IN" JACKS.
  7. RATED OUTPUT POWER - 60 WATTS RMS AT 5% THD, UNDER SAME CONDITIONS AS NOTE 6, EXCEPT INPUT INTO J102, POWER AMP IN.

NOTE: USE ONLY SLO-BLO FUSES.

LINE VOLTAGE	100V	120V	220V	240V
F1	3A	2.5A	1.6AT	1.6AT
F2	4A	3A	2AT	2AT
MINIMUM VOLTAGE RATING	125VAC	250VAC		



LINE VOLTAGE SELECTOR SWITCH ON 220/240V EXPORT MODELS ONLY.

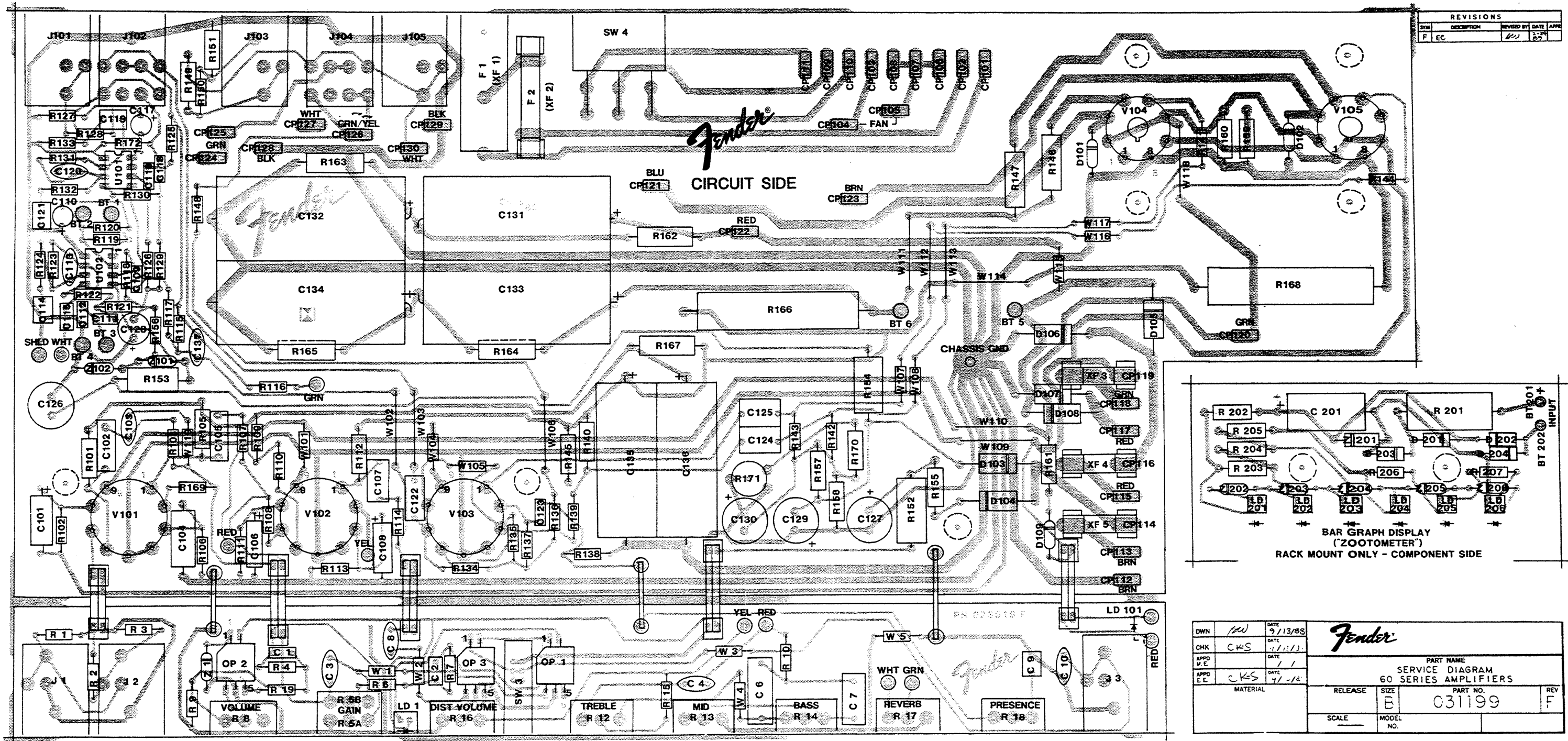
PRIMARY OF 029035 USED ON EXPORT MODELS

100V	120V	220/240V
CP102	CP102	CP102
CP106	CP106	CP106
CP103	CP103	CP107
SB5	CP110	CP110
CP107	CP107	CP111

▲ GREY WIRE FROM SB5 TO CP102  
▲ GREY WIRE FROM SB5 TO CP109

REF. DES.	ITEM QTY	PART NO.	DESCRIPTION
DATABASE FILE: S60_01			
CHECKED BY: [Signature]			
DATE: 12-21-88			
APPROVED: [Signature]			
DATE: 12-21-88			
TOLERANCES: UNLESS OTHERWISE SPECIFIED			
X.X		± 0.05"	
X.XX		± 0.01"	
X.XXX		± 0.005"	
ANGLES		± 0.500°	
MUSICAL INSTRUMENTS		1130 Columbia Street Brea, Ca. 92621	
TITLE: SCHEMATIC DIAGRAM OF 60 SERIES TUBE AMPS.			
SIZE	DRAWN: C. LINSKENS	DRAWING NUMBER	REV.
D	ENGR: C. KOBYLARZ	028921	F
NEXT HIGHER ASSEMBLY: SUPER 60, SUPER RACK, SUPER 60 HEAD		SCALE: DATE: 8-23-88 SHEET 1 OF 1	





REVISIONS				
REV	DESCRIPTION	REVISED BY	DATE	APP'D
F	EC			

DWN	CKS	DATE	9/13/88	
CHK	CKS	DATE	7/1/88	
APP'D		DATE	7/1	
APP'D	CKS	DATE	7/1-88	
MATERIAL				PART NAME SERVICE DIAGRAM 60 SERIES AMPLIFIERS
RELEASE		SIZE	E	PART NO.
		MODEL		031199
		NO.		REV
				F