

THIS UNIT IS OTHERWISE SPECIFIED

▲ KNOB SHOULD REMAIN PULLED OUT WHEN USING OPTIONAL PEDAL ASSEMBLY 019314.

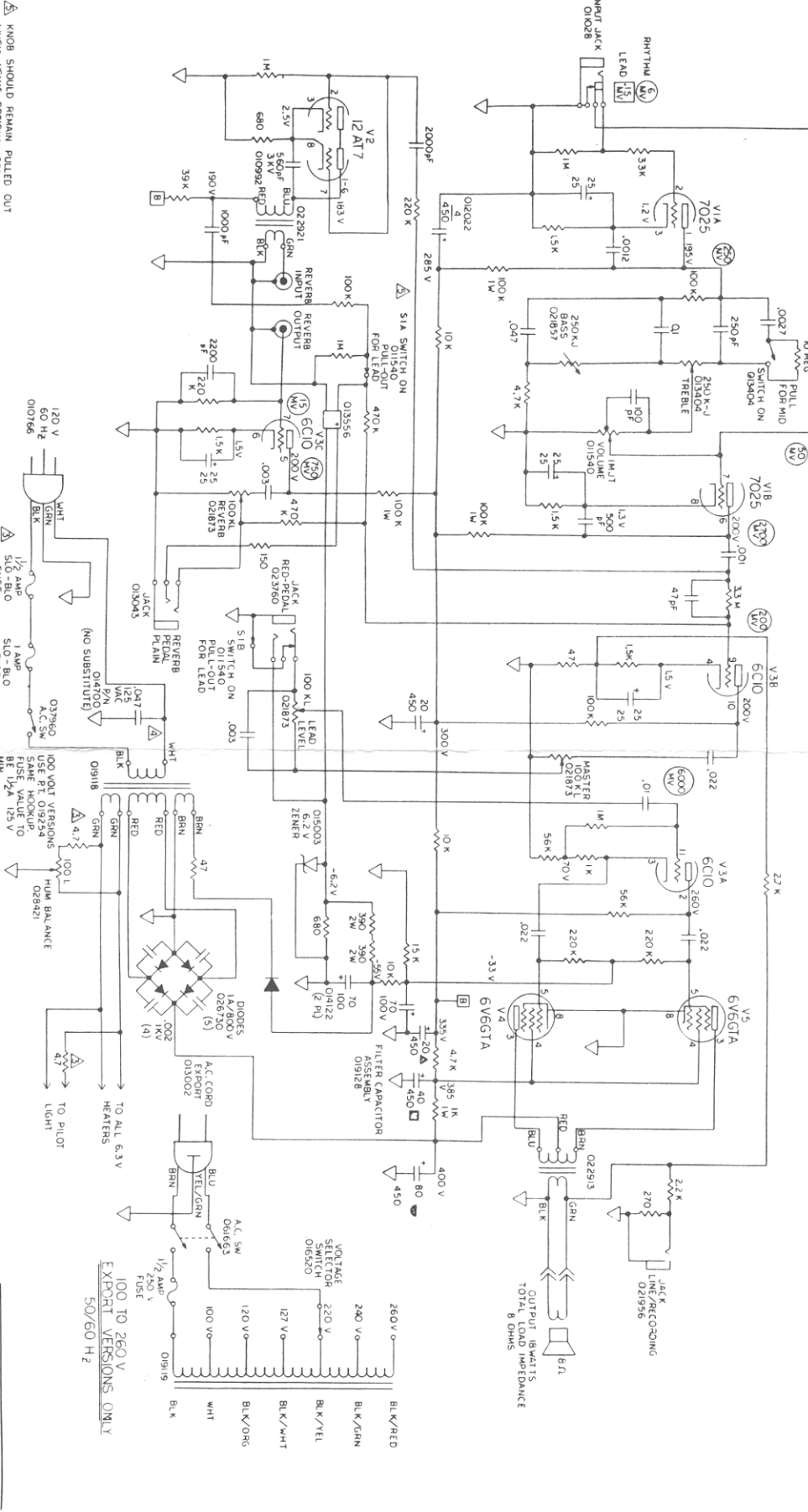
▲ SOME VERSIONS USE .01/125 VAC. PIN 0187564 (NO SUBSTITUTE)

▲ USED IN SOME VERSIONS.

1. ALL CAPACITORS 600 V. MIN.

2. ALL CAPACITORS 1/2 WATT ±10%.

(M) DENOTES TYPICAL 1KHz SIGNAL REQUIRED FOR 1 WATT RMS OUTPUT AND 500 MV REVERSE LOAD DRIVE IN RHYTHM MODE. ALL CONTROLS MAX. AND BOOSTS OFF.



**Fender / Rhodes**

ONE HUNDRED EIGHTY-NINE - A DIVISION OF CBS INC.

SCHEMATIC SUPPLY PART NO. 44444P

DOMESTIC, CSA, EXPORT & JAPAN

IF WATT REVERSE AMP W/ BOOST PE DAL

REVISED

|       |     |       |    |      |
|-------|-----|-------|----|------|
| SCALE | NO. | DATE  | BY | CHKD |
| NONE  | D   | 01/30 | A  | A    |

100 TO 260 V EXPORT VERSIONS ONLY

50/60 H Z

260V 0- 240V 0- 220V 0- 127V 0- 120V 0- 100V 0-

BLK/GRN BLK/YEL BLK/WHT BLK/056

WHT

BLK

1/2 AMP FUSE

A.C. SW 0616E3

YEL/GRN

120V 0- 100V 0-

100 TO 260 V EXPORT VERSIONS ONLY

50/60 H Z

TO ALL 6.3V HEATERS

TO PILOT LIGHT

TO ALL 6.3V HEATERS

TO PILOT LIGHT