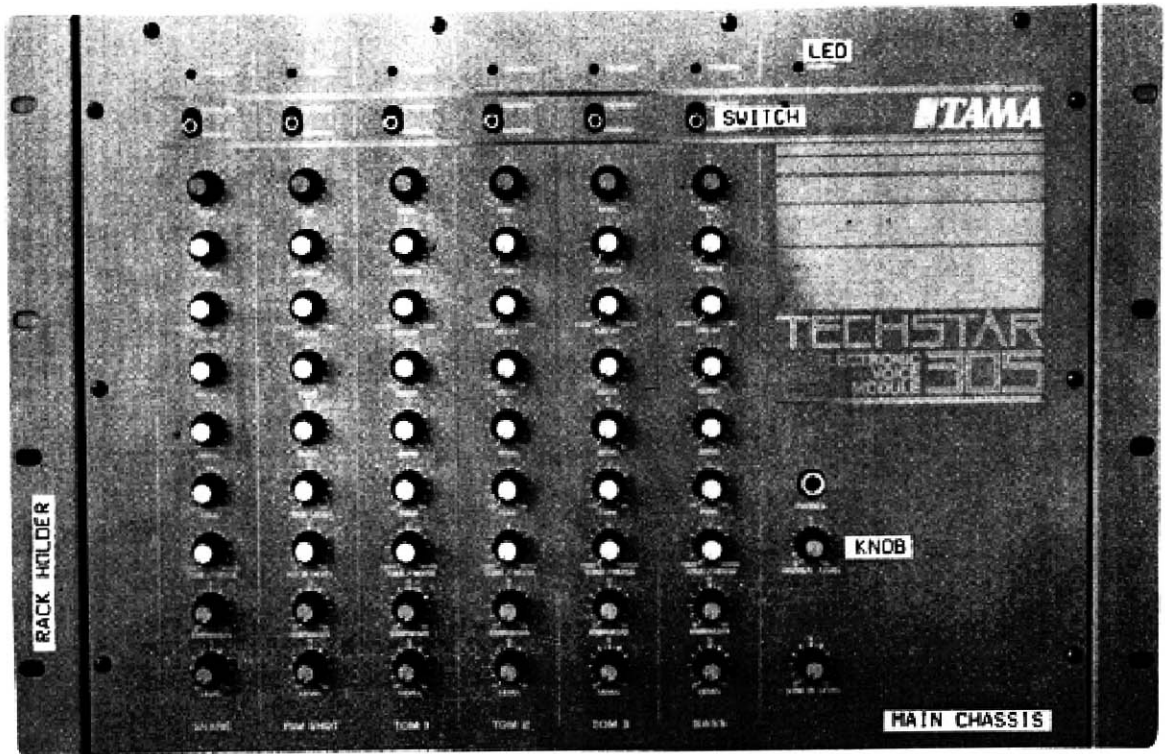


# TAMA TS 305

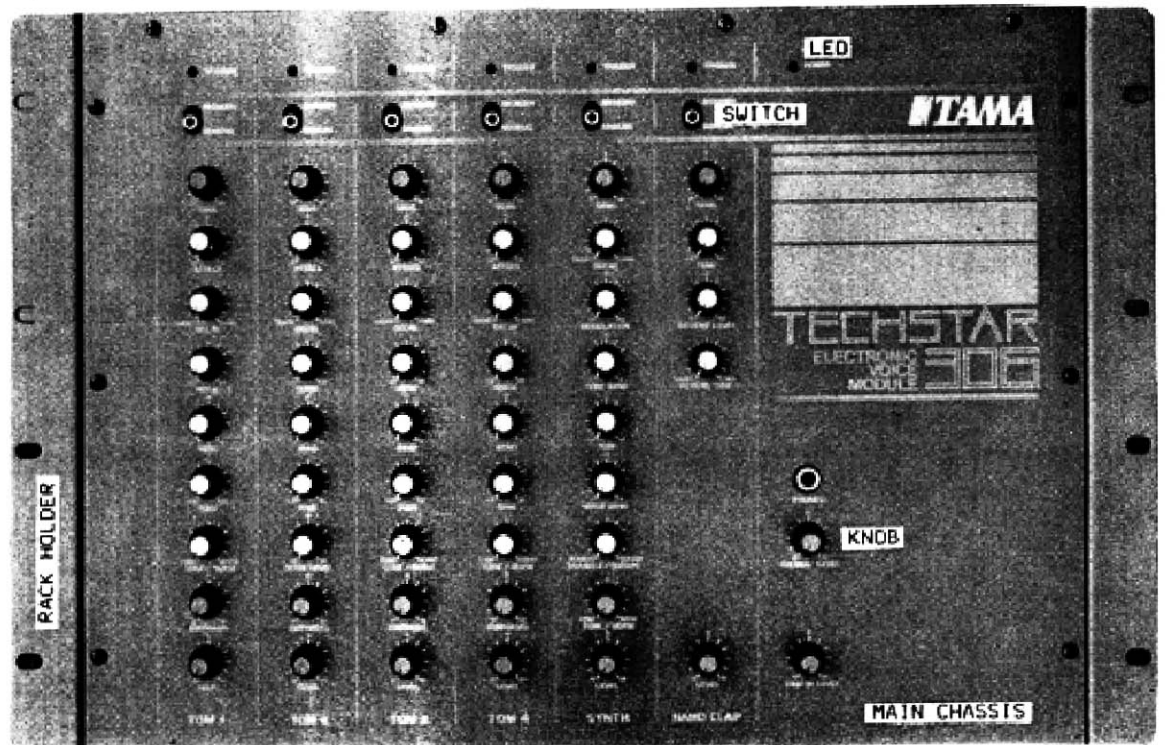
\*\*\*\*\*  
\* DISPOSITION OF PARTS \*

Parts Nos. are shown in PARTS LIST.

TS305



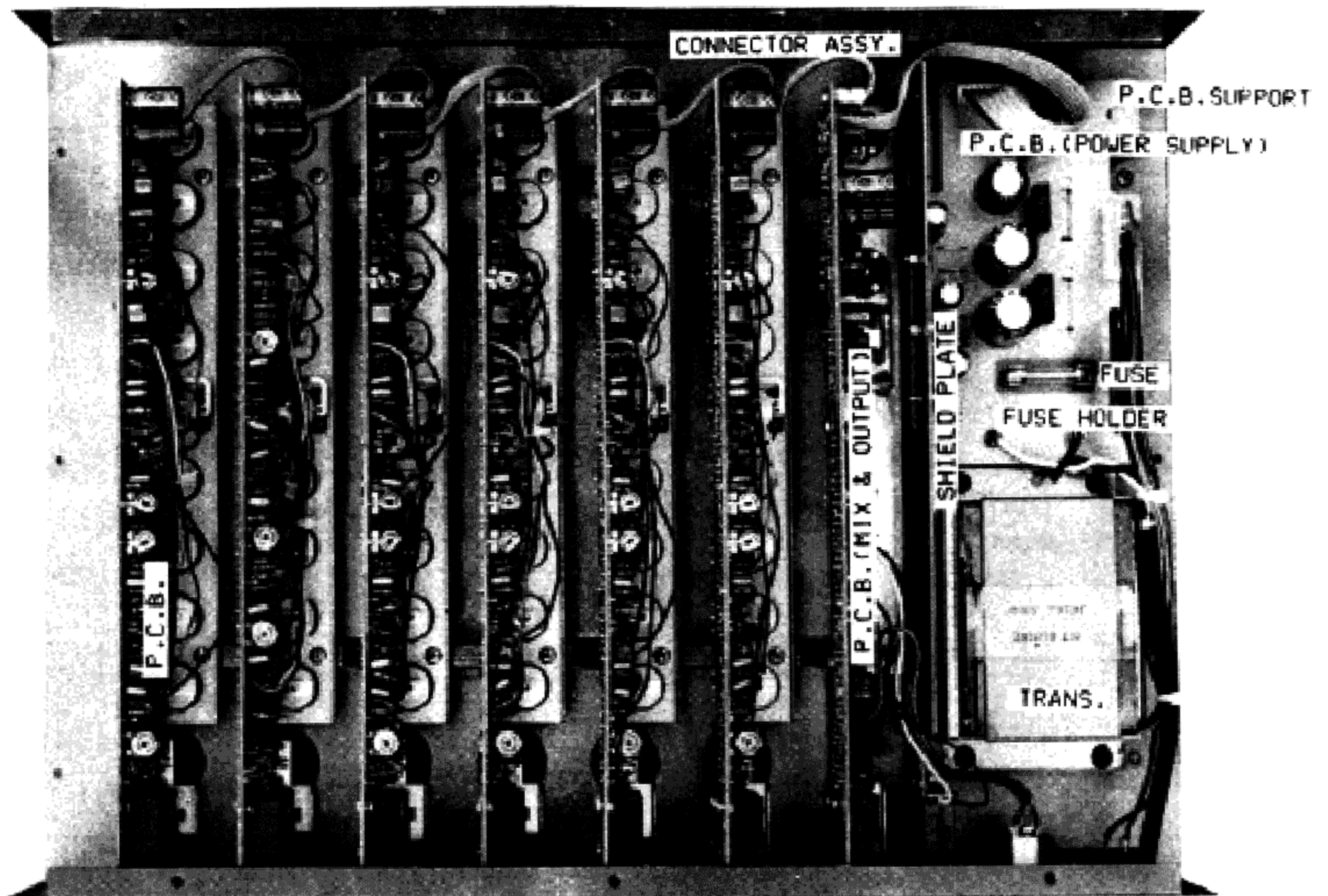
TS306



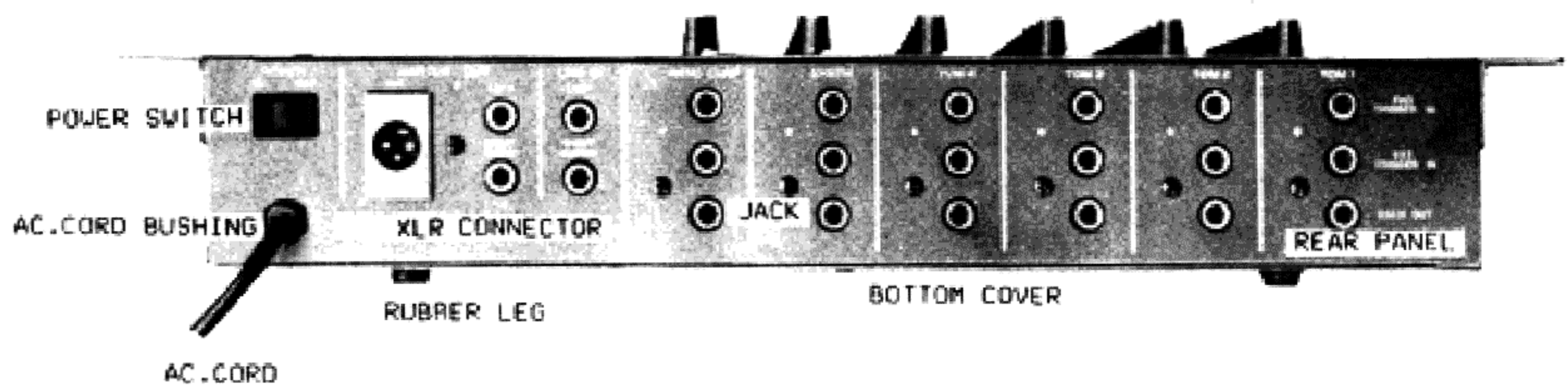
\*\*\*\*\*  
 \* DISPOSITION OF PARTS \*  
 \*\*\*\*\*

Parts Nos. are shown in PARTS LIST.

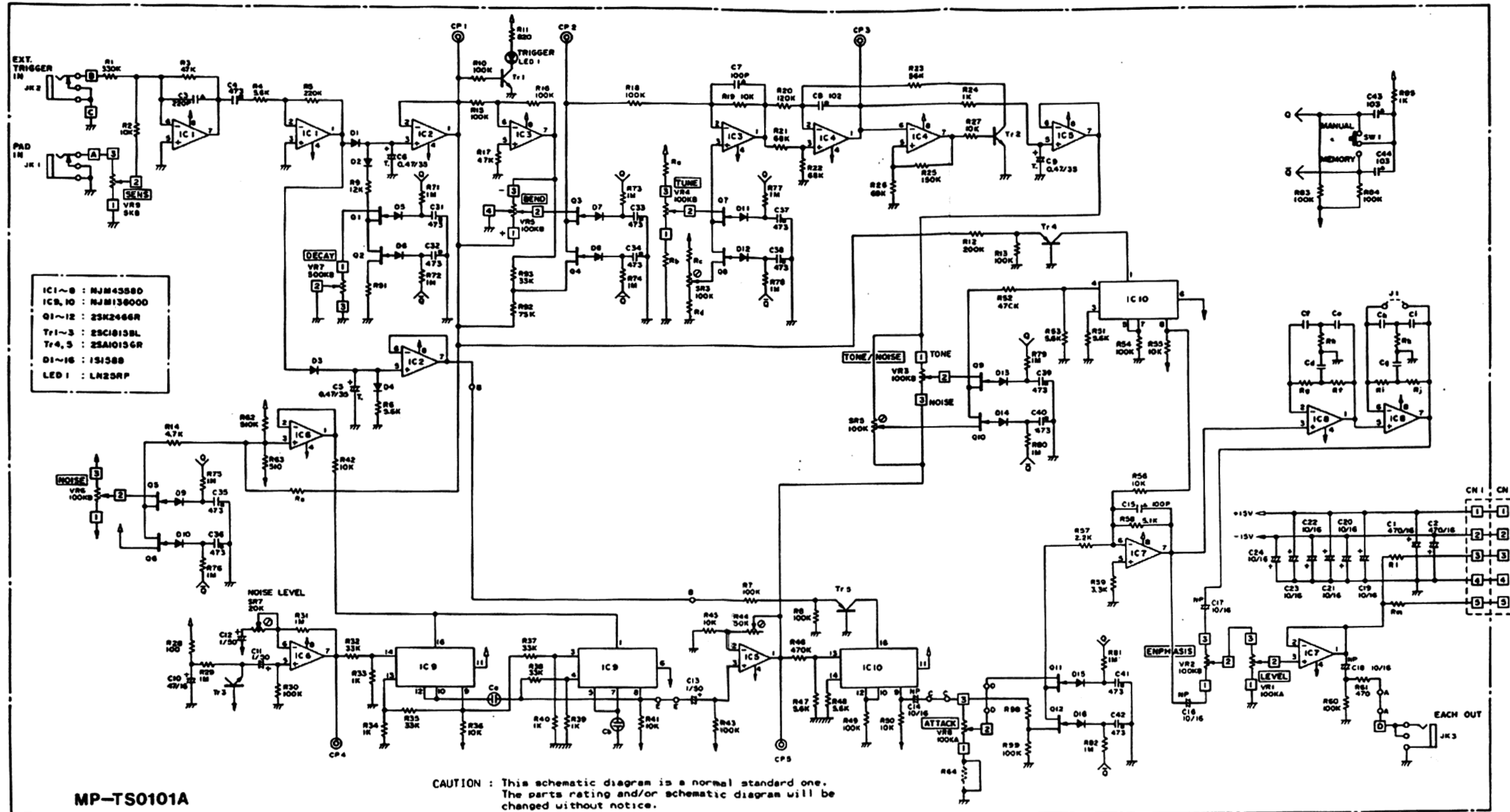
TS305  
 TS306



TS305  
 TS306



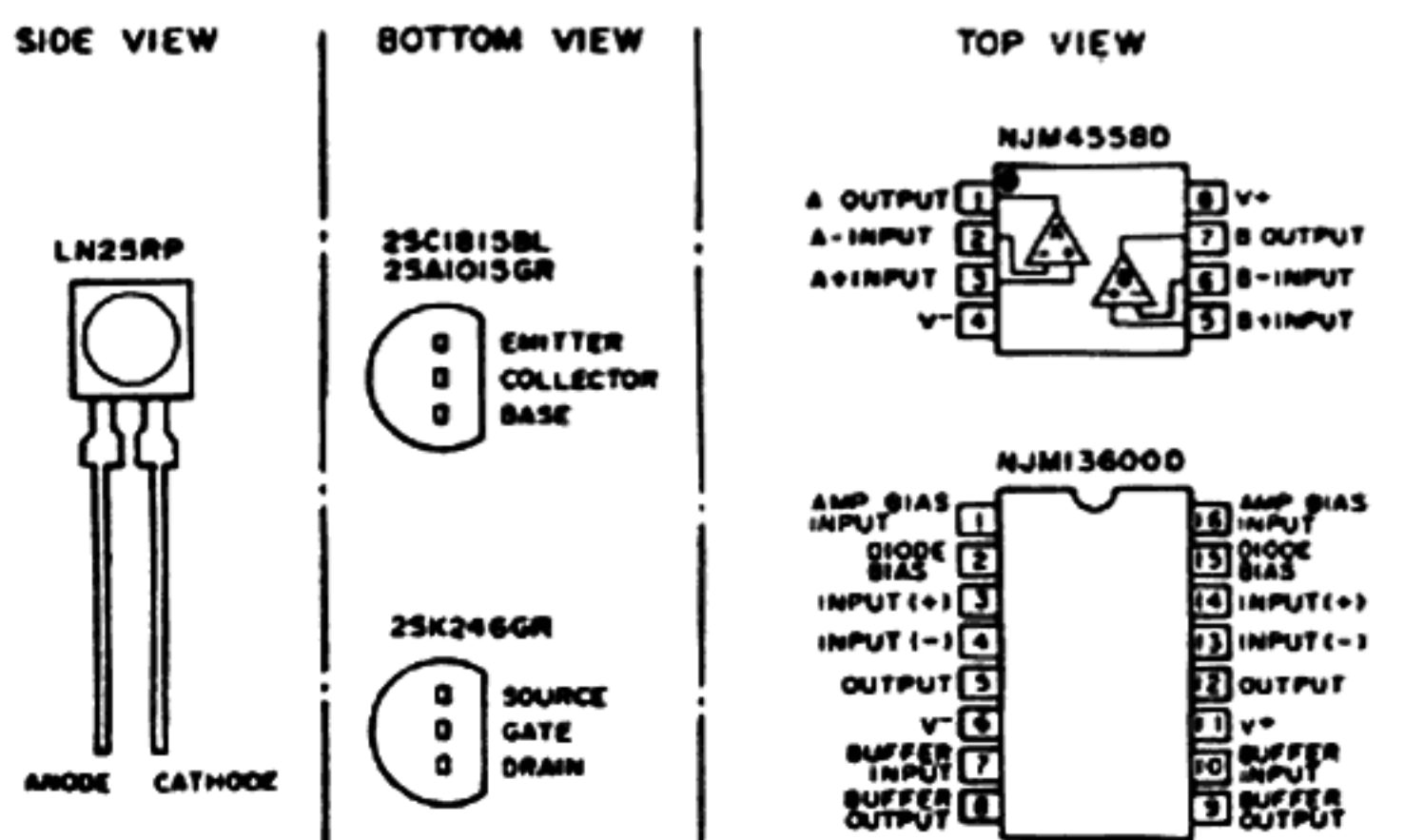
**BASIC MODULE**



- IC1~8 : NJM4358D
- IC9,10 : NJM13600D
- Q1~12 : 2SK2466R
- Tr1~3 : 2SC1815BL
- Tr4,5 : 2SA1015GR
- D1~16 : 1S158B
- LED 1 : LN25RP

**MP-TS0101A**

CAUTION : This schematic diagram is a normal standard one. The parts rating and/or schematic diagram will be changed without notice.



**[NOTES]**  
 ▲ : CERAMIC capacitor. All ceramic capacitors are above 25V rating.  
 ■ : FILM capacitor. All film capacitors are above 50V rating.  
 NP : NON POLAR capacitor.  
 T : TANTALUM capacitor.  
 And all capacitors are ELECTOLYTIC capacitors, unless otherwise marked. Unless otherwise indicated: Resistance in Ω, K=KΩ, M=MΩ. Resistors, 1/4W or 1/8W, ±5% rating. Capacitance in P=PF, μ=μF

**TS305 BASIC MODULE**

**CAPACITOR LIST**

	Ca	Cb	Cc	Cd	Ce	Cf	Cg	Ch	Ch	Ci	Cj	Ck	Cl
SNARE	393	562	J	203	103	103	562	562	562	—	—	—	—
TOM 1	183	103	J	103	103	103	—	—	—	0.47	J	—	—
TOM 2	183	103	J	273	123	123	—	—	—	0.47	J	—	—
TOM 3	183	103	J	333	153	153	—	—	—	0.47	J	—	—
BASS	183	103	J	333	153	153	—	—	—	—	J	—	—

**RESISTOR LIST**

	Ra	Rb	Rc	Rd	Re	Rf	Rg	Rh	Ri	Rj	Rk	Rl	Rm	Rn	R9	R9B
SNARE	1M	10K	1M	10K	10K	100K	100K	560K	10K	10K	100K	10K	10K	200K	3.3K	—
TOM 1	1M	10K	1M	10K	10K	100K	100K	680K	—	—	—	10K	30K	300K	2.7K	—
TOM 2	1M	10K	1M	10K	10K	100K	100K	100K	1M	—	—	15K	10K	300K	2.7K	—
TOM 3	1M	10K	1M	10K	10K	100K	100K	680K	—	—	—	39K	10K	300K	2.7K	—
BASS	1M	2.7K	1M	2.7K	10K	100K	100K	680K	—	—	—	10K	10K	300K	4.7K	—

**TS306 BASIC MODULE**

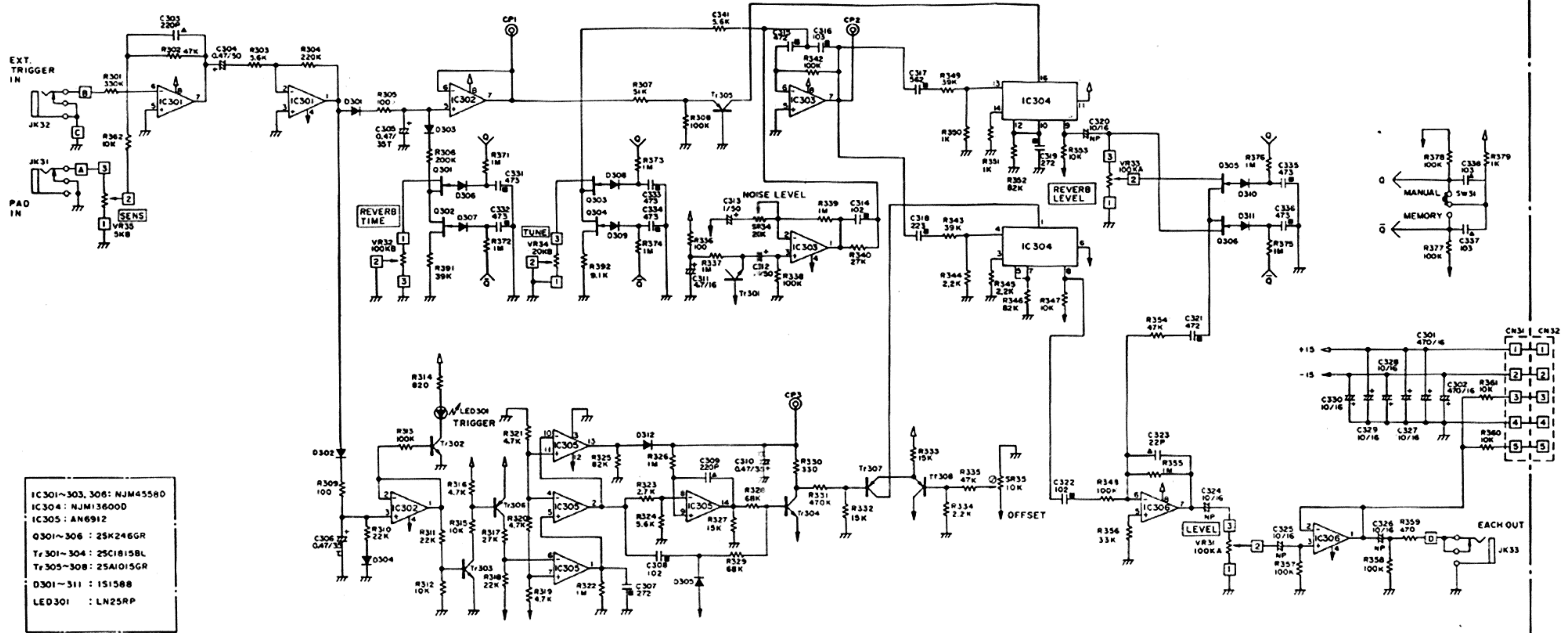
**CAPACITOR LIST**

	Ca	Cb	Cc	Cd	Ce	Cf	Cg	Ch	Ch	Ci	Cj	Ck	Cl
TOM 1	183	103	J	123	562	562	—	—	—	0.47	J	—	—
TOM 2	183	103	J	103	103	103	—	—	—	0.47	J	—	—
TOM 3	183	103	J	273	123	123	—	—	—	0.47	J	—	—
TOM 4	183	103	J	333	153	153	—	—	—	0.47	J	—	—

**RESISTOR LIST**

	Re	Rb	Rc	Rd	Re	Rf	Rg	Rh	Ri	Rj	Rk	Rl	Rm	Rn	R9	R9B
TOM 1	1M	10K	1M	10K	10K	100K	100K	100K	1M	—	—	10K	91K	300K	2.7K	—
TOM 2	1M	10K	1M	10K	10K	100K	100K	680K	—	—	—	10K	30K	300K	2.7K	—
TOM 3	1M	10K	1M	10K	10K	100K	100K	100K	1M	—	—	30K	10K	300K	2.7K	—
TOM 4	1M	2.7K	1M	2.7K	10K	100K	100K	680K	—	—	—	91K	10K	300K	2.7K	—

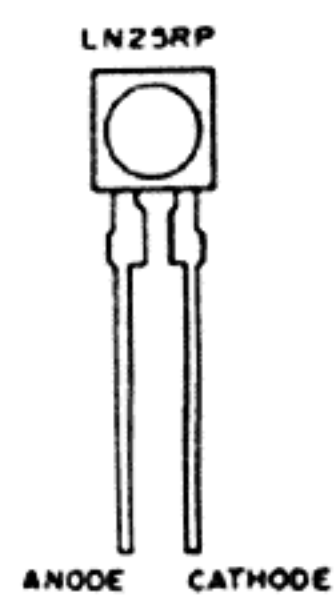
# HAND CLAP MODULE



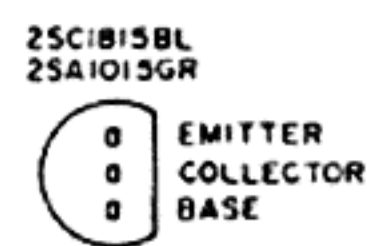
MP-TS0102A

CAUTION: This schematic diagram is a normal standard one. The parts rating and/or schematic diagram will be changed without notice.

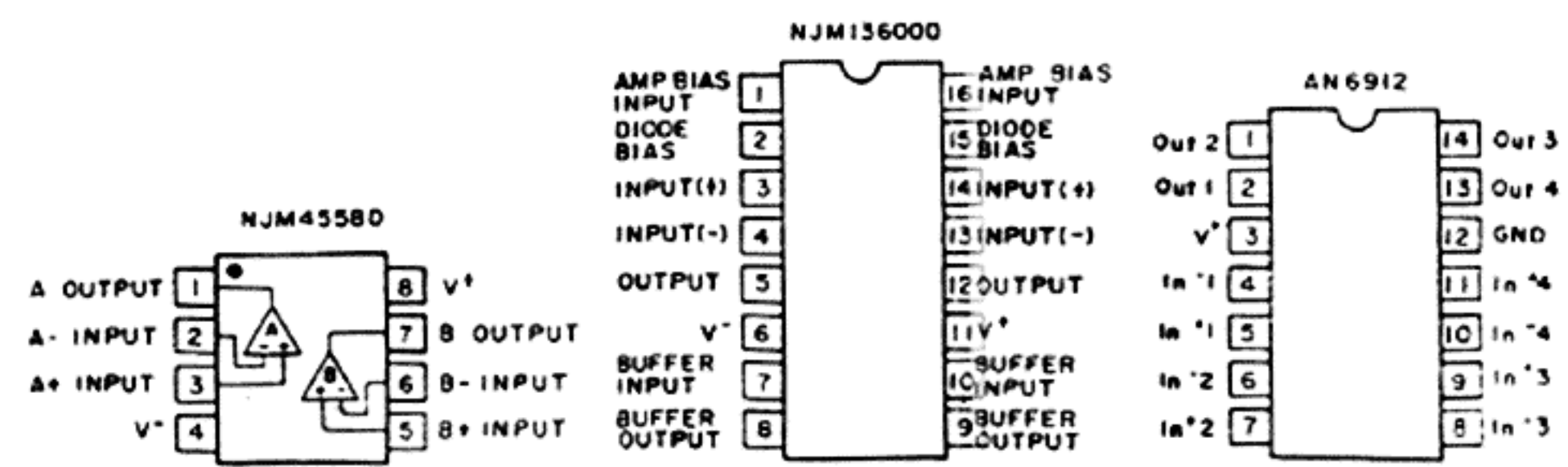
SIDE VIEW



BOTTOM VIEW



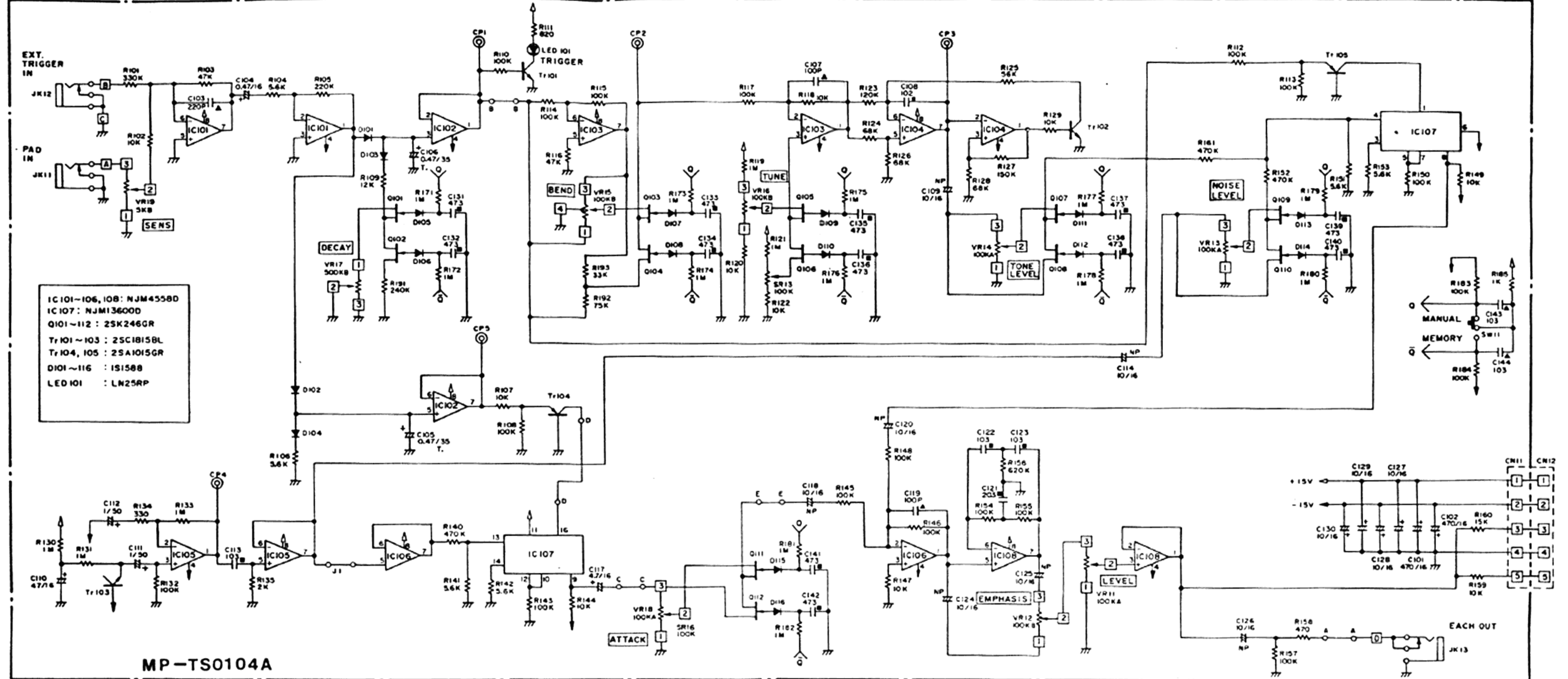
TOP VIEW



[NOTES]

- ▲ CERAMIC capacitor. All ceramic capacitors are above 25V rating.
  - FILM CAPACIT. All film capacitors are above 50V rating.
  - NP: NON POLAR capacitor.
  - T: TANTALUM capacitor.
- And all capacitors are ELECTROLYTIC capacitors, unless otherwise marked. Unless otherwise indicated:  
 Resistance in Ω, K=KΩ, M=MΩ  
 Resistors, 1/4W or 1/8W, ±5% rating  
 Capacitance in P=PF, μ=μF

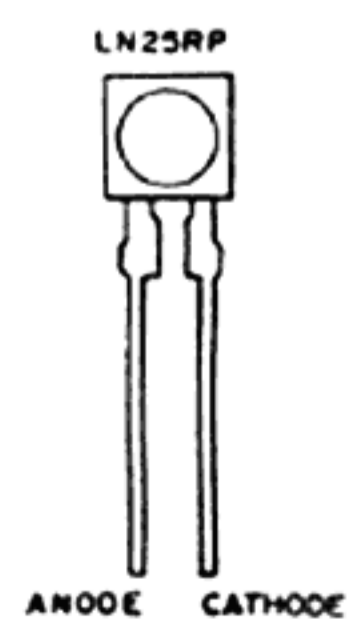
# RIM SHOT MODULE



MP-TS0104A

CAUTION: This schematic diagram is a normal standard one. The parts rating and/or schematic diagram will be changed without notice.

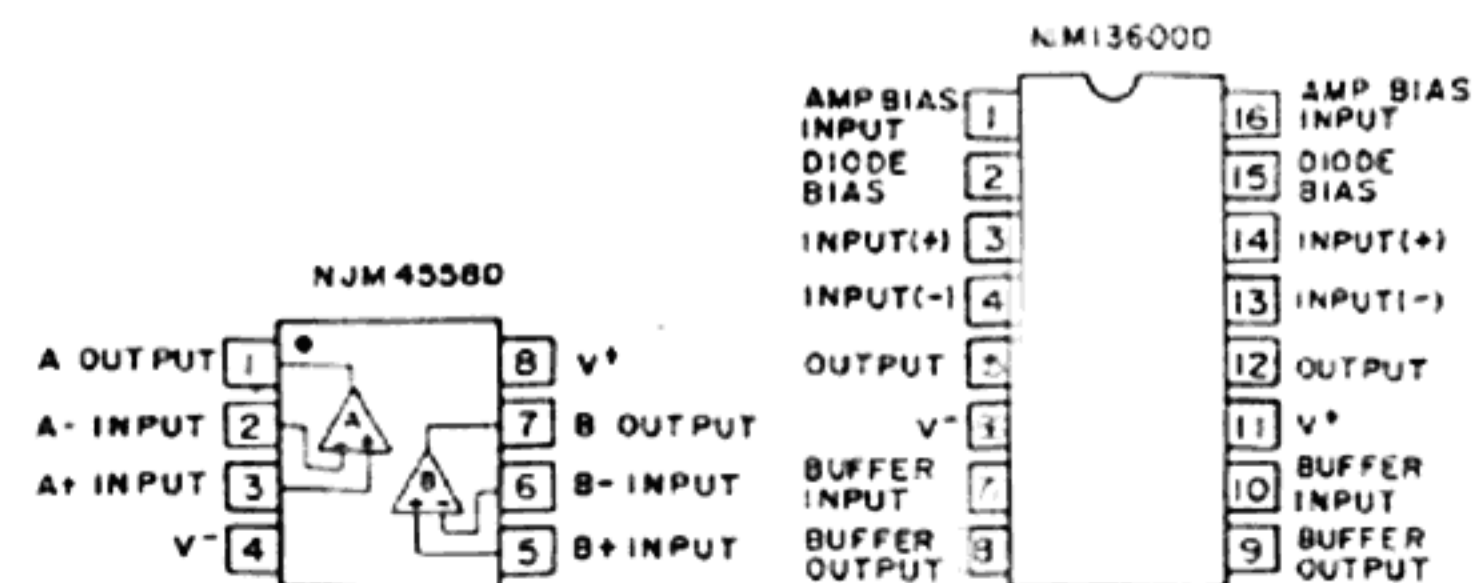
SIDE VIEW



BOTTOM VIEW



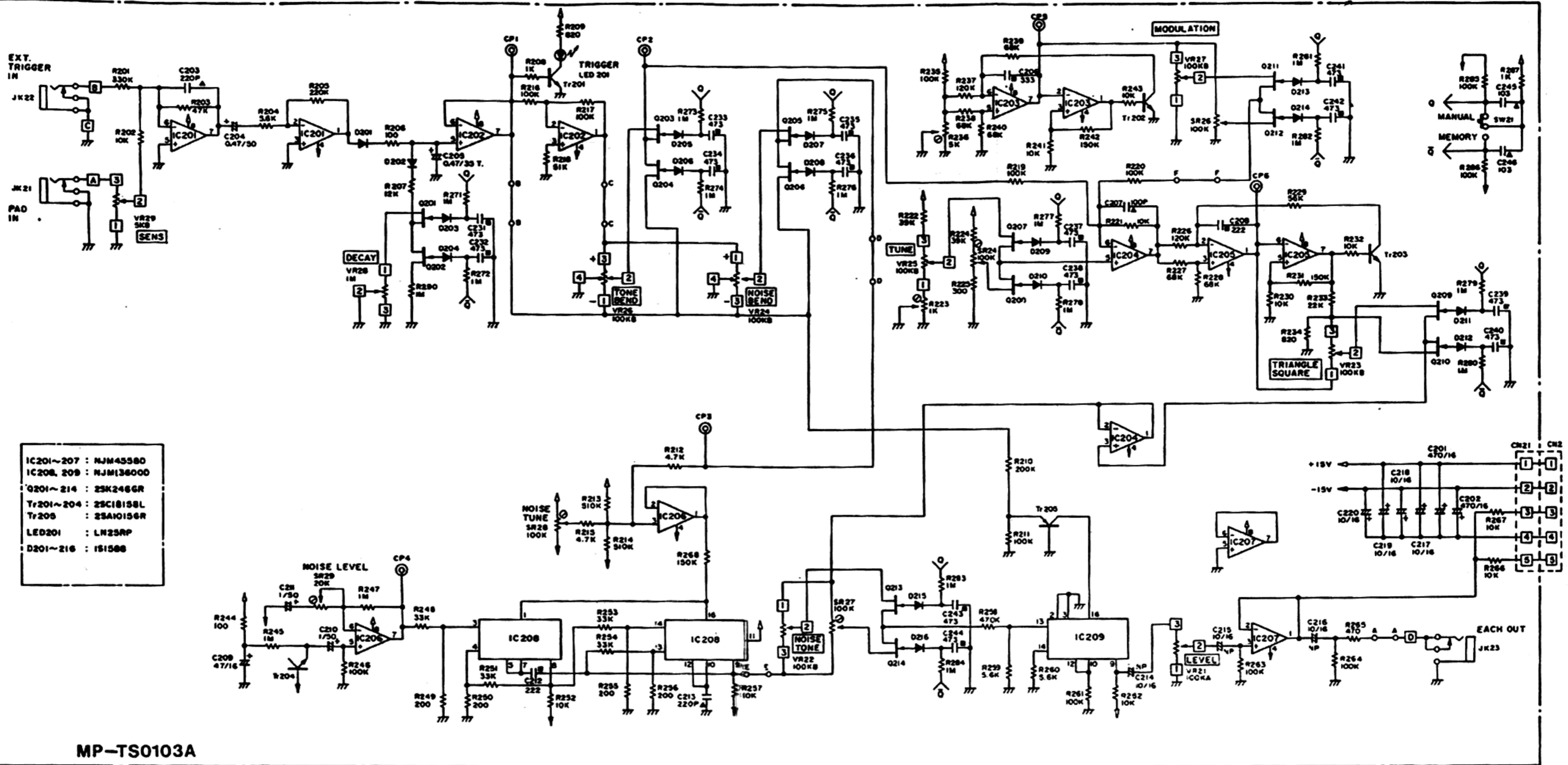
TOP VIEW



**[NOTES]**

- ▲ CERAMIC capacitor. All ceramic capacitors are above 25V rating.
  - FILM capacitor. All film capacitors are above 50V rating.
  - NP: NON POLAR capacitor.
  - T: TANTALUM capacitor.
- And all capacitors are ELECTROLYTIC capacitors, unless otherwise marked. Unless otherwise indicated: Resistance in Ω, K=KΩ, M=MΩ. Resistors, 1/4W or 1/8W, ±5% rating. Capacitance in P=PF, μ=μF.

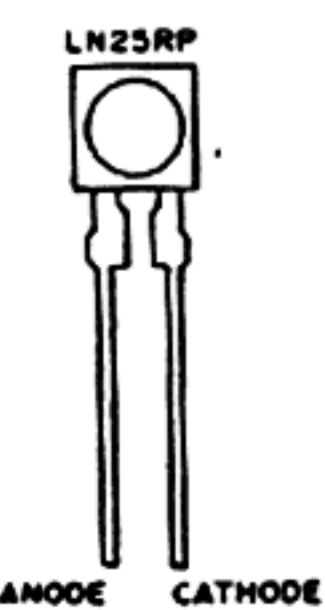
# SYNTH MODULE



MP-TS0103A

CAUTION : This schematic diagram is a normal standard one. The parts rating and/or schematic diagram will be changed without notice.

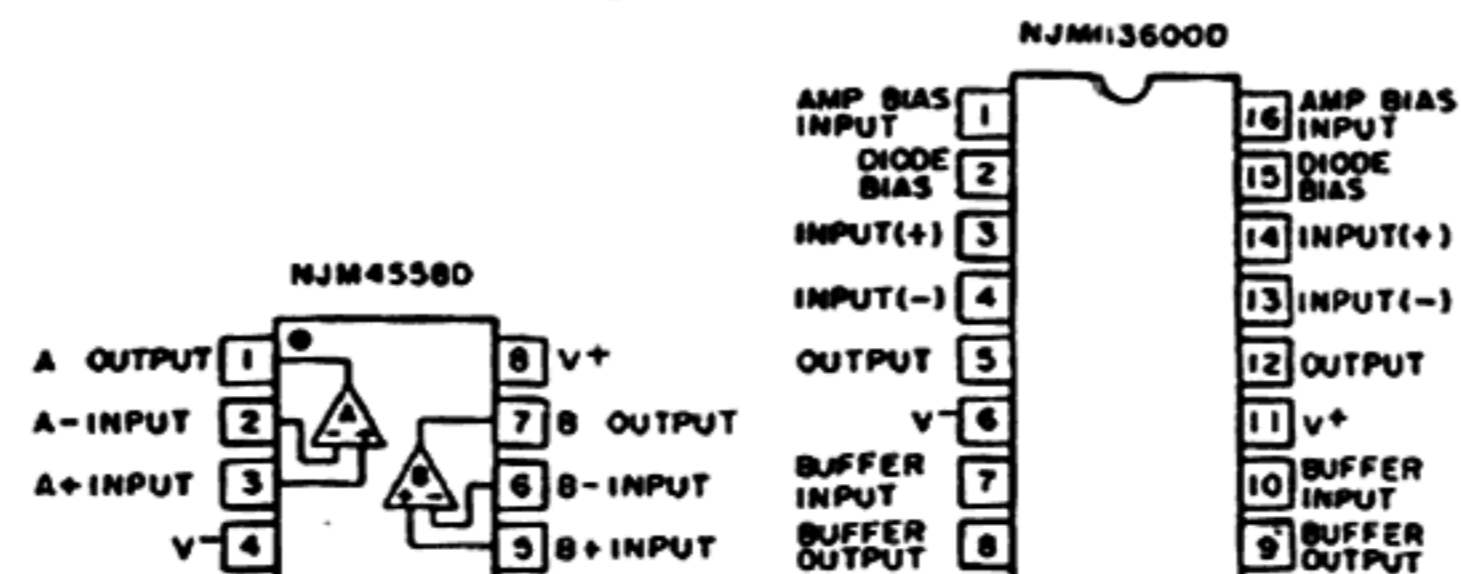
SIDE VIEW



BOTTOM VIEW



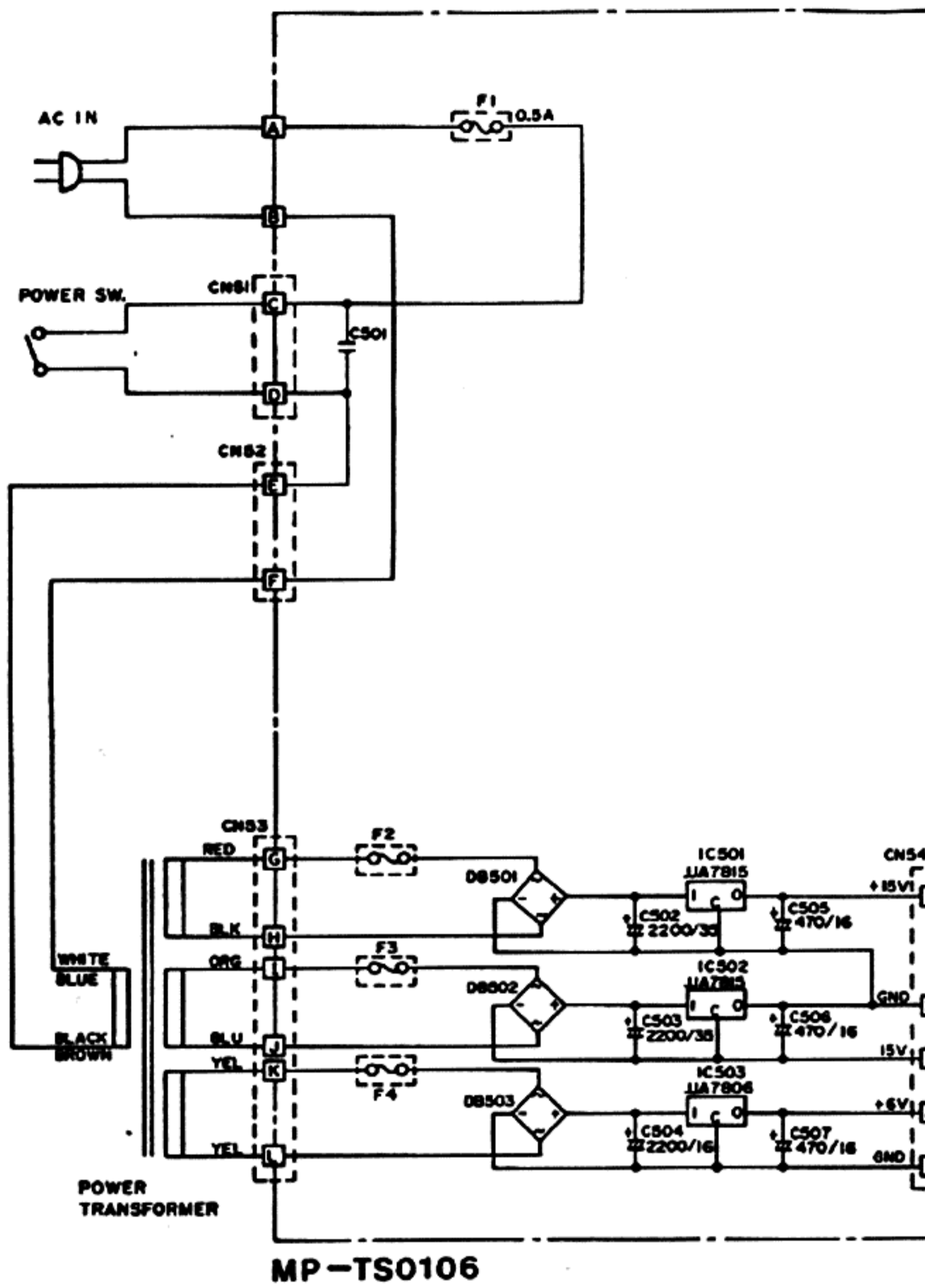
TOP VIEW



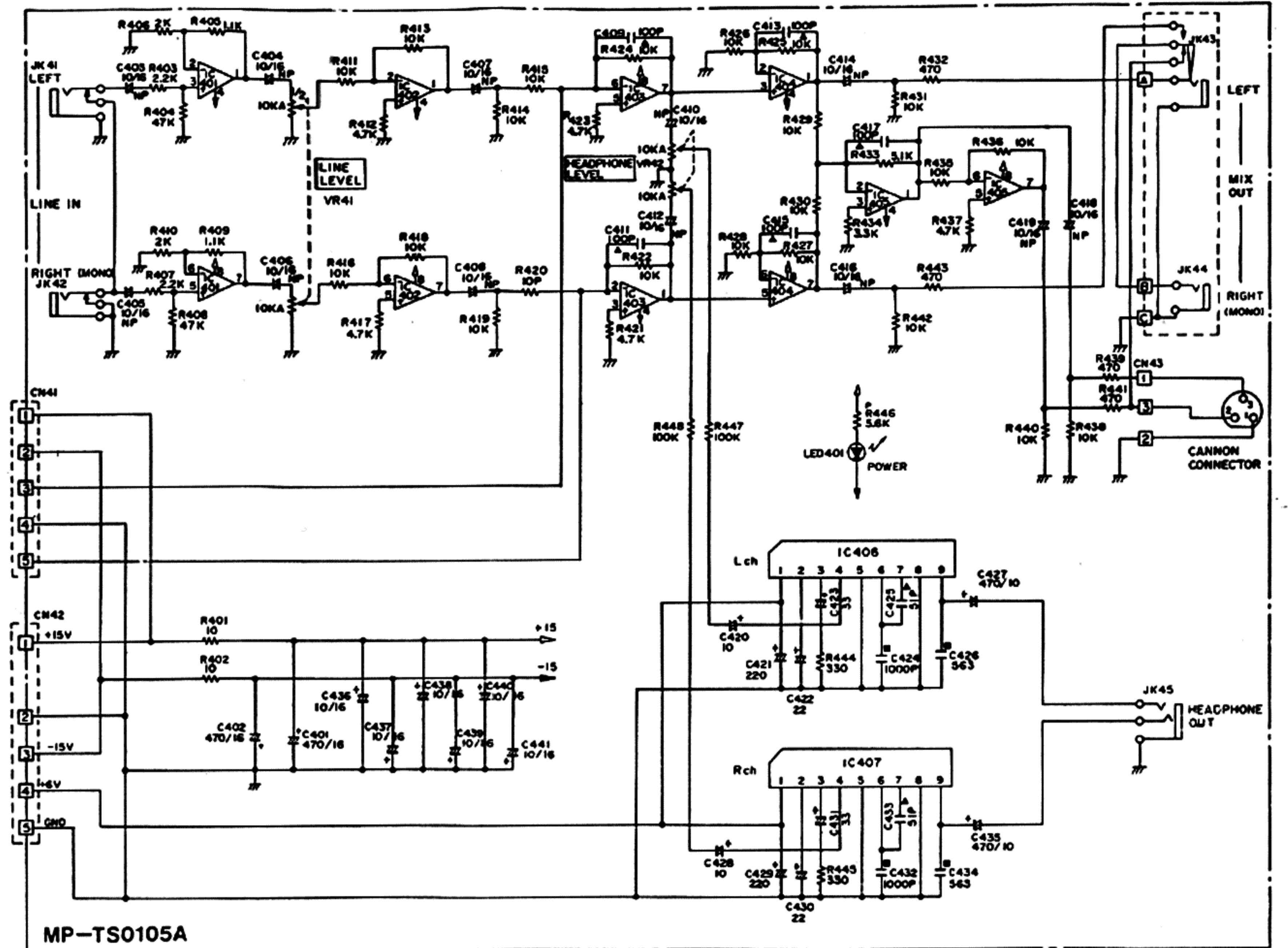
NOTES

- ▲ : CERAMIC capacitor. All ceramic capacitors are above 25V rating.
  - FILM capacitor. All film capacitors are above 50V rating.
  - NP: NON POLAR capacitor.
  - T: TANTALUM capacitor.
- And all capacitors are ELECTROLYTIC capacitors, unless otherwise marked. Unless otherwise indicated: Resistance in Ω, K=KΩ, M=MΩ. Resistors, 1/4W or 1/8W, ±5% rating. Capacitance in P=PF, μ=μF

**POWER**

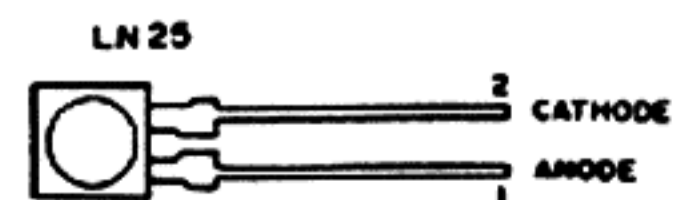
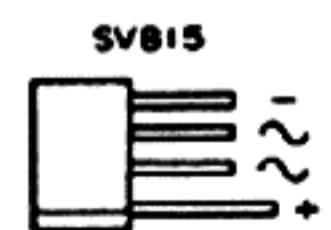
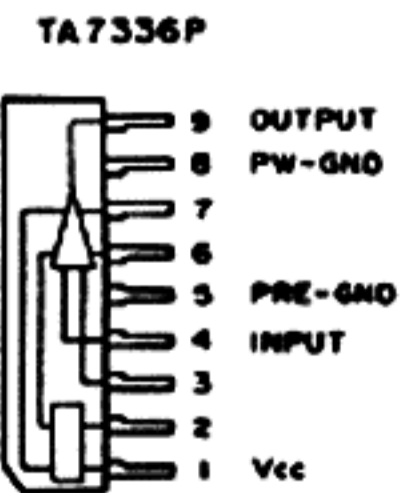
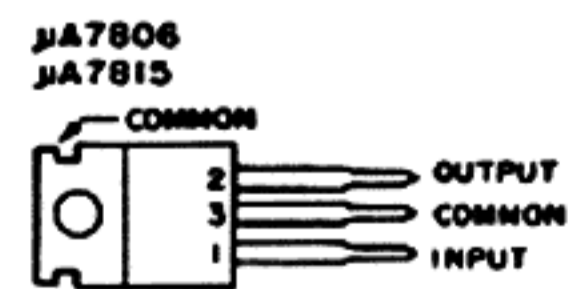


**MIX MODULE**

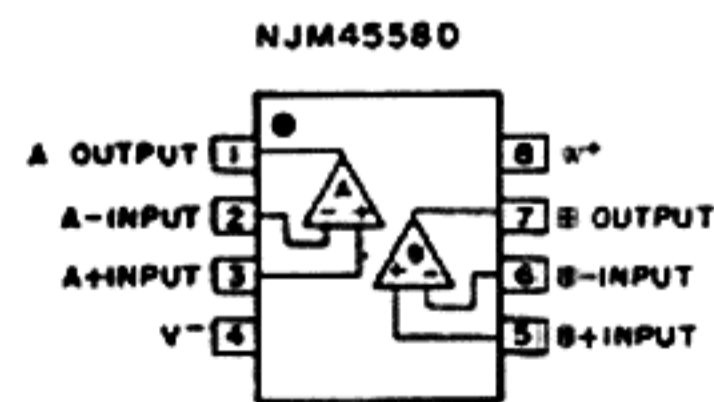


CAUTION : This schematic diagram is a normal standard one. The parts rating and/or schematic diagram will be changed without notice.

**SIDE VIEW**



**TOP VIEW**



IC401~405 : NJM4558D  
 IC406,407 : TA7336P  
 IC501,502 : μA7815  
 IC503 : μA7806  
 LED401 : LN25RP  
 DB501~503 : SVB15

**[NOTES]**

▲ : CERAMIC capacitor. All ceramic capacitors are above 25V rating.  
 ■ : FILM capacitor. All film capacitors are above 50V rating.  
 NP : NON POLAR capacitor.  
 T : TANTALUM capacitor.  
 And all capacitors are ELECTROLYTIC capacitors, unless otherwise marked.  
 Unless otherwise indicated:  
 Resistance in Ω, K=KΩ, M=MΩ  
 Resistors, 1/4W or 1/8W, ±5% rating  
 Capacitance in P=PF, μ=μF

\*\*\*\*\*  
 \* TS305 PARTS LIST \*  
 \*\*\*\*\*

TYPE	AC[V]	NATION	AC.CORD	TRANS.	FUSE	FUSE HOLDER
M	100	JAPAN	0.75VFF	MT-TS0101	61M0.75	F-6-30
N	120	U.S.A.	KP11/SVT102C	MT-TS0102	61M1.0	F-6-30
T	120	CANADA	KP30/SVT103C	MT-TS0102	61M1.0	F-6-30
O	220	SWITZERLAND	KP419E/CTCE3	MT-TS0103	ES20500	F-6-20
R	240	U.K.	SP30/BS	MT-TS0103	ES20500	F-6-20
S	240	AUSTRALIA	KP550/LTSA3	MT-TS0103	ES20500	F-6-20
U	220	OTHER EUROPE	BB&721	MT-TS0103	ES20500	F-6-20

\*\*\*\*\*

PARTS NAME	TYPE	PARTS No.	REF.No.	REMARKS
MAIN CHASSIS		MS-TS0101		[ ]
REAR PANEL		MS-TS0103A		[ ]
BOTTOM COVER		MS-PX0402		[ ]
RACK HOLDER	(x2)	MS-PX0403		[ ]
POT.HOLDER A	(x6)	MS-TS0106		[ ]
POT.HOLDER B	(x1)	MS-TS0107		[ ]
JACK HOLDER A	(x6)	MS-TS0104		[ ]
JACK HOLDER B	(x1)	MS-TS0105		[ ]
SHIELD PLATE	(x1)	MS-TS0102		[ ]
KNOB	(x36) White	MK-TS0101W		[ ]
KNOB	(x13) Blue	MK-TS0101B		[ ]
KNOB	(x7) Green	MK-TS0101G		[ ]
XLR CONNECTOR	(x1)	XLB-3-32		[ ]
POWER SWITCH		SDJ15		[ ]
CONNECTOR ASSY.(F)		5196-03	250mmx2 (SU.)	[ ]
P.C.B.SUPPORT	(x2)	LC88-06M		[ ]
RUBBER LEG	(x4)	SK-15		[ ]
AC CORD BUSHING		SR-SN-4		[ ]

P.C.B. (POWER SUPPLY)		MP-TS0106		[ ]
CONNECTOR (M)	(x2)	5277-03A	CN51,52 (SU.,P.T.)	[ ]
CONNECTOR (M)	(x1)	5277-06A	CN53 (P.T.)	[ ]
CONNECTOR (M)	(x1)	5267-05A	CN54 (LINE)	[ ]
IC (+15V Reg,FC)	(x2)	UA7815	IC501,502	[ ]
IC (+6V Reg,FC)	(x1)	UA7806	IC503	[ ]
DIODE BRIDGE (SH)	(x3)	SUB15	DB501-503	[ ]

P.C.B. (MIX & OUTPUT)		MP-TS0105A		[ ]
JACK	(x2)	HLJ0520-01-110	JK41,42	[ ]
JACK	(x2)	HLJ0605-01-100	JK43,44	[ ]
JACK	(x1)	HLJ0317-01-020	JK45	[ ]
CONNECTOR (M)	(x1)	5267-05A	CN41	[ ]
CONNECTOR (M)	(x1)	5267-03A	CN43	[ ]
CONNECTOR (F)	(x1)	5264-05	CN42	[ ]
IC (Op.Amp.,JRC)	(x5)	NJM4558D	IC401-405	[ ]
IC (Amp,TO)	(x2)	TA7336P	IC406,407	[ ]
LED	Red (x1)	LN25RP	LED401	[ ]
VARIABLE R.	(x2) 2A10K	EUKENA015A14	VR41,42 LTNE,HEAD.	[ ]

P.C.B. (BASIC MODULE) MP-TS0101A [ ]

This module is almost as same as TS306.

Please refer to the parts list of TS306.

INFORMATION : TS305 has five BASIC MODULE P.C.B.s which are SNARE,TOM1,TOM2, TOM3 and BASS. The parts of these P.C.B.s are almost the same except some resistors and capacitors. Please refer to the SCHEMATIC DIAGRAMS.

P.C.B. (RIM SHOT MODULE)		MP-TS0104A		[ ]
JACK	(x3)	HLJ0520-01-110	JK11-13	[ ]
CONNECTOR (M)	(x1)	5267-05A	CN11	[ ]
CONNECTOR ASSY.(F)	(x1)	5264-05	CN12	[ ]
SWITCH	(x1)	HSUB011-01-090	SW11	[ ]
IC (Op.Amp.,JRC)	(x7)	NJM4558D	IC101-106,108	[ ]
IC (Op.Amp.,JRC)	(x1)	NJM13600D	IC107	[ ]
DIODE (TO)	(x16)	1S1508	D101-116	[ ]
LED	Red (x1)	LN25RP	LED101	[ ]
TRANSISTOR (TO)	(x2)	2SA1015GR	Tr104,105	[ ]
TRANSISTOR (TO)	(x3)	2SC1015BL	Tr101-103	[ ]
FET (TO)	(x12)	2SK246GR	Q101-112	[ ]
VARIABLE R.	(x1) 85K	EWH14A091B53	VR19 SENS	[ ]
VARIABLE R.	(x2) B100K	EWH14A091B15	VR12,16 EMPH,TUNE	[ ]
VARIABLE R.	(x4) A100K	EWH14A091A15	VR11,13,14,18 LEV,NOISE,TONE,ATT	[ ]
VARIABLE R.	(x1) B500K	EWH14A091B55	VR17 DECAY	[ ]
VARIABLE R.	(x1) B100K	ELWHS0891B15	VR15 BEND	[ ]
SEMI FIXED R.	(x5) 100K	RVF0W104	SR12-16	[ ]
SEMI FIXED R.	(x1) 500K	RVF0W504	SR11	[ ]