



TECH NOTES

Fender Musical Instruments Corp.
7975 North Hayden Road Scottsdale, Arizona 85258

TECH NOTE # TN 97-5

ISSUE DATE: April, 1997

ISSUED BY: J. Benson

PAGE: 1 of 2

PRODUCT(S) AFFECTED:

Vibro-King

(All units with 6V6 reverb driver tube that were built prior to april, 1997)

SYMPTOMS:

Unit has excessive hum in reverb.

CONDITION:

The screen grid of the 6V6 reverb driver tube is being modulated by 120 Hz ripple from the power supply. This can be reduced by adding decoupling components, R & C

PARTS REQUIRED:

QTY	REF. NO.	PART NO.	DESCRIPTION
1	R401	036468	470 Ω 1 W resistor
1	C401	012022	CAP AE 450 V 4.7 μ F
1		041349	STRIP 5 TERM .375 C-C
2		038400	SCRW TF 6-32 X 1/4 PHP ZI
2		069393	NUT 6-32 HEX EXT LOCK

REQUIRED ACTION:

- 1) Drill 2 holes to accomodate 6-32 screws, 3/4" spacing, in the approximate position shown in fig. 1; mount the terminal strip as shown.
- 2) Cut the yellow wire that runs through the hole in the chassis to V3, at a point that will allow the ends to be connected to the terminal strip as shown.
- 3) Attach positive end of C401, one end of R401, and the yellow wire attached to V3 to the end terminal.

REQUIRED ACTION (continued):

- 4) Attach the negative end of C401 to the terminal that connects to chassis.
- 5) Attach the other end of R401 and the yellow wire to an unused terminal.

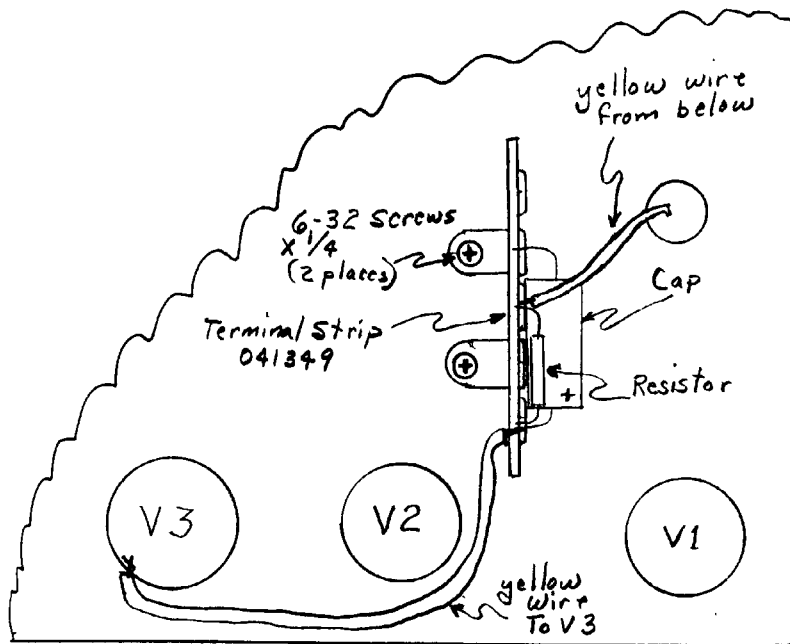
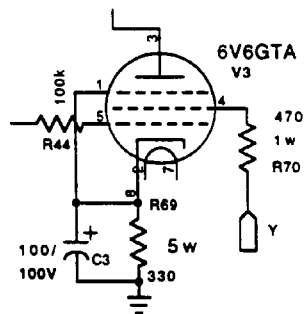
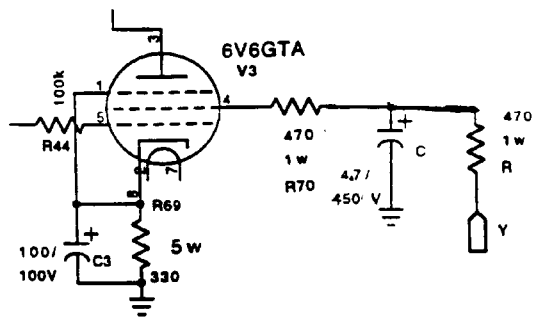


fig. 1



Change from



Change to

WARRANTY CLAIM INSTRUCTIONS:

The above modification should be performed on any Vibro-King amp that is in warranty, and exhibiting the above symptoms. For proper labor reimbursement, please indicate the Tech Note Number TN97-5 in the Authorization Code Box (Box # 12) on the Warranty Reimbursement Form. Labor reimbursement = 3/4 Hour.