

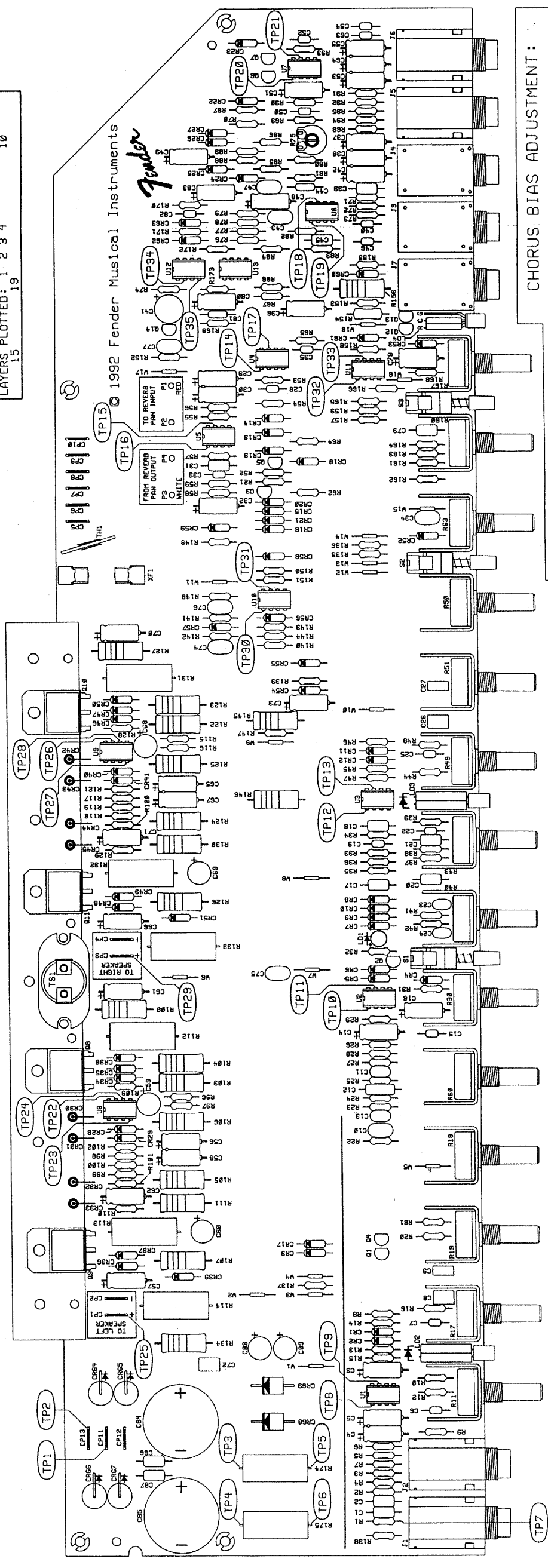
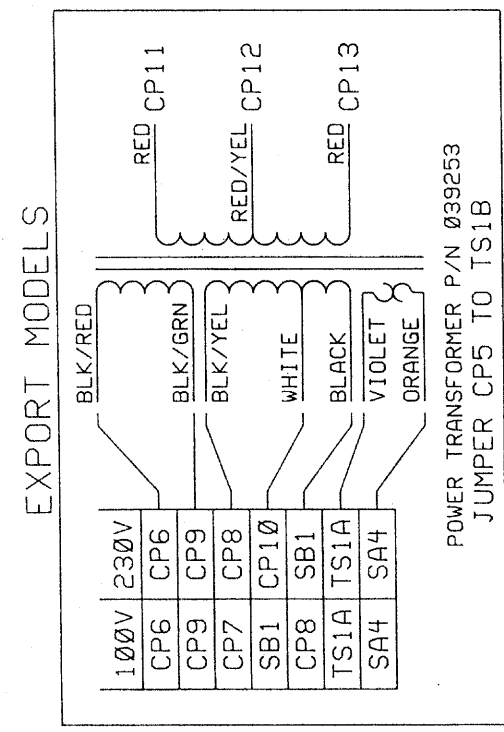
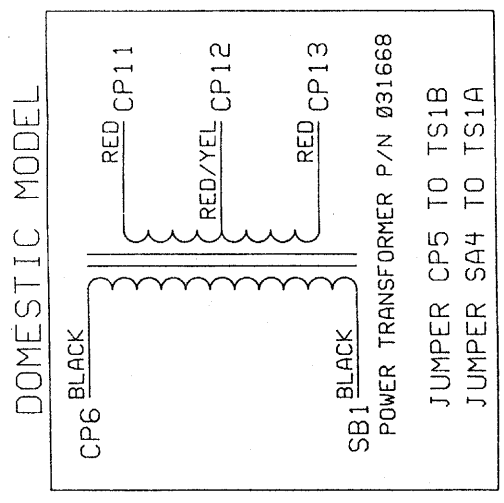


1 2 3 4 5 6 7 8

REVISIONS

ZONE	REV.	DESCRIPTION	DATE	APPROVED
	A	RELEASED PR #204	8-7-92	BD
	B	EC#1292	10-17-94	VD

FILM/DWG: SERVICE DIAGRAM  
 DATABASE: ULTRASER DATE: 17-OCT-94  
 LAYERS PLOTTED: 1 2 3 4 10  
 15 19



CHORUS BIAS ADJUSTMENT:

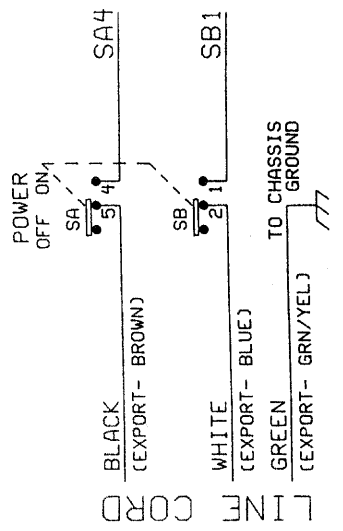
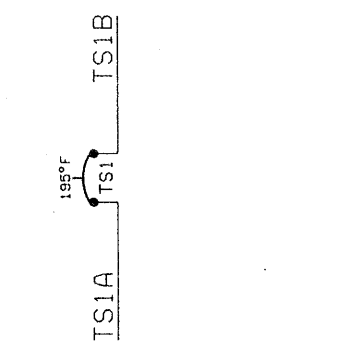
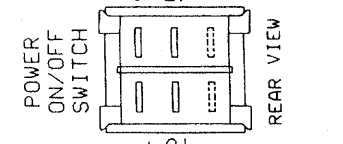
WITH CHORUS SELECT ON, SET CHORUS RATE AND DEPTH CONTROLS FULLY CLOCKWISE. CONNECT A 1KHZ SINEWAVE AT ABOUT 1.5 VOLTS RMS TO THE MONO EFFECTS LOOP RETURN JACK (J4). ADJUST TRIMPOT R75 FOR SYMMETRICAL CLIPPING AT U6 PIN 1 (TP19).

DATABASE FILE:  
 ULTRASER  
 CHECKED BY: 50-52  
 DATE: 10-17-94  
 APPROVED: *BD*  
 DATE: 11-2-94  
 TOLERANCES: UNLESS OTHERWISE SPECIFIED  
 X.X .050"  
 X.XX .010"  
 X.XXX .005"  
 ANGLES .500°

PROPRIETARY  
 THIS DRAWING CONTAINS INFORMATION WHICH IS PROPRIETARY TO FENDER MUSICAL INSTRUMENTS CO. AND MAY NOT BE USED, REPRODUCED OR DISCLOSED IN ANY MANNER WITHOUT THE EXPRESS WRITTEN CONSENT OF FENDER MUSICAL INSTRUMENTS CO.  
 FENDER MUSICAL INSTRUMENTS CO.  
 REGIONAL HEADQUARTERS  
 2621 RESEARCH DRIVE  
 CORONA, CA 91728 USA  
 NEXT HIGHER ASSEMBLY:  
 ULTIMATE CHORUS

TITLE: SERVICE DIAGRAM,  
 ULTIMATE CHORUS AMPLIFIER  
 SIZE: DRAWN: B. DESI DRAWING NUMBER: 039244 REV. B  
 ENGR: B. DESI

SCALE: CREATED: 28-JUL-92 SHEET 1 OF 1  
 PLOTTED: 17-OCT-94



1 2 3 4 5 6 7 8

D C B A