

MusicParts.Com

Technical Document Distribution

Brand:	Univox
Model	U-400G
Product:	Amplifier
Description:	Schematic

Musicparts Document Number: 43226	TechTips: No	Pages: 2	Dated: None
-----------------------------------	--------------	----------	-------------

Hello,

Welcome to MusicParts.Com, Inc. your online resource for technical documents and service information. This PDF package may contain information, schematics, parts lists, images, engineering changes, previous versions, circuit descriptions, and many other unique features about the product you have chosen. This document was assembled from a variety of sources and is the result of our many years in the music repair business.

TECHTIPS: Unique to Musicparts documents are **TECHTIPS** located in critical areas on the schematics. They contain useful information about that area of the schematic such as common problems that we have found and recommended changes. Not all documents will have TechTips.

NOTE: Large original over-sized drawings will need to be taped together. We feel this is better than reducing them and losing fine details.

VIEWING: This document is utilizing PAGE-ON-DEMAND downloading. This will let you navigate to any page without waiting for the entire file to download.

PRINTING: For the best quality, we highly recommend that when the print dialog appears, please **make sure "SHRINK OVERSIZED PAGES " is checked.**, otherwise you may cut off the edge of the page. Also please stay online while printing this document to make sure you get all the pages.

Visit us on the web at: <http://www.musicparts.com/>
Email us at: customerservice@musicparts.com

OPERATING INSTRUCTIONS

for

UNIVOX Model U400G

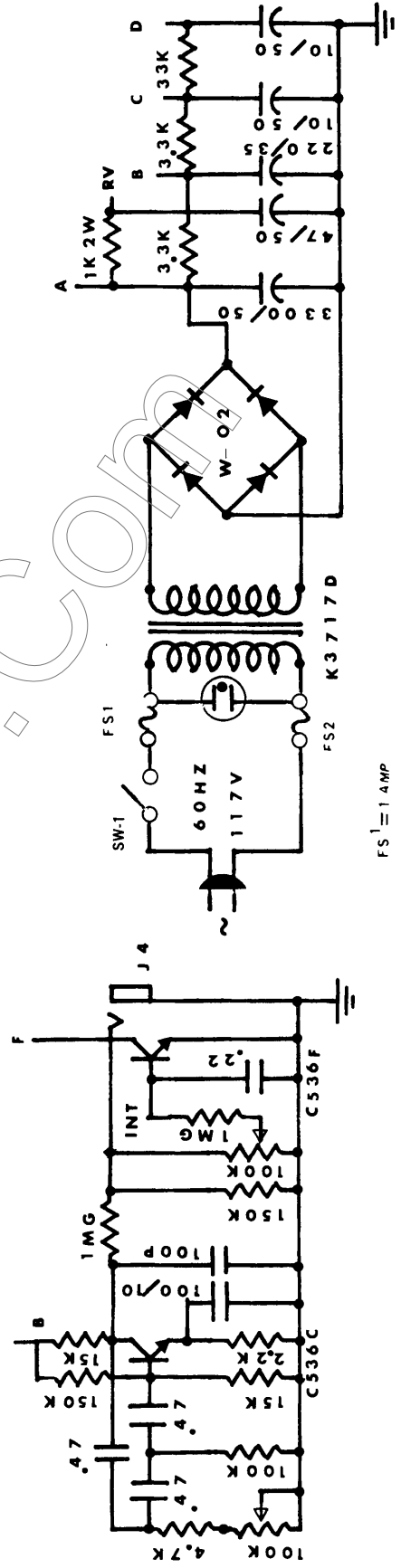
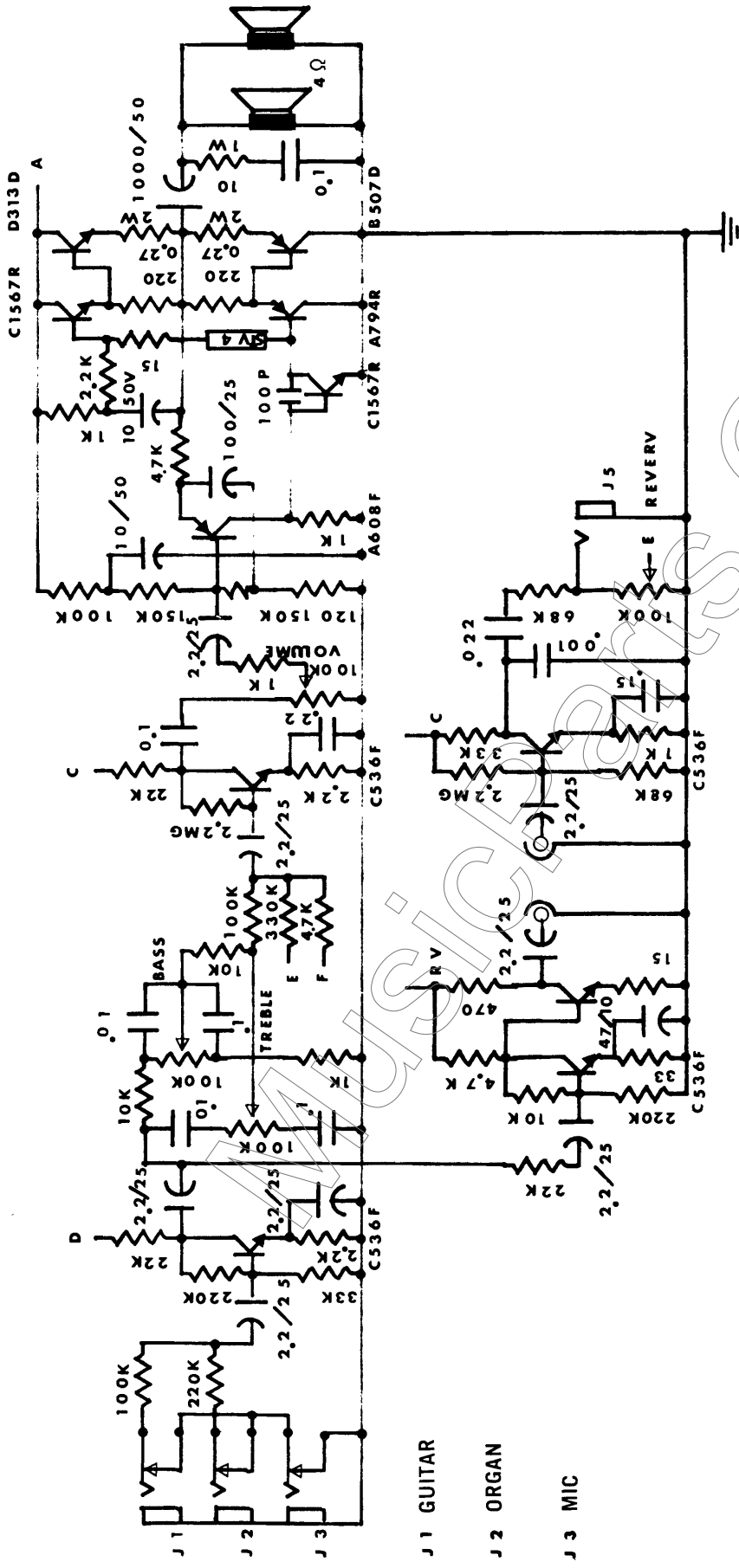
Solid-State Lead Amplifier

Operating Procedure:

1. Plug line cord into wall outlet (117 volts AC, 50/60 Hz)
2. Turn all controls except bass and treble to the "OFF" or "ZERO" position; turn bass and treble controls to halfway position.
3. Snap ON/OFF switch to "ON" position. The pilot light will glow, indicating amplifier is ready for operation.
 - (a) If pilot light fails to glow, check line cord and the wall receptacle for power.
 - (b) Check fuse and if defective, replace with one of the same rating.
 - (c) If a hum or buzz is heard, reverse the line cord in its outlet.
4. Volume control on instrument should be on full with switch in "ON" position. Examine instrument plugs and cable, making sure they are solidly plugged into instrument and amplifier jack.

Note: Input # 1 & # 2 to be used for higher level instruments (guitar, accordion, organ, piano, etc.)

Input #3 to be used for low level instruments, such as a microphone, etc.
5. Set volume control to 1/3 position and play instrument—adjusting volume, bass and treble for desired sound.
6. Special effects:
 - (a) A wide variety of experimental and unusual sound effects can be produced by adding various amounts of Reverb and Tremolo to your basic instrument sounds.
 - (b) A foot switch permits On/Off control of Reverb and Tremolo effects.



FS¹ = 1 AMP
 FS² = 1 AMP MDV