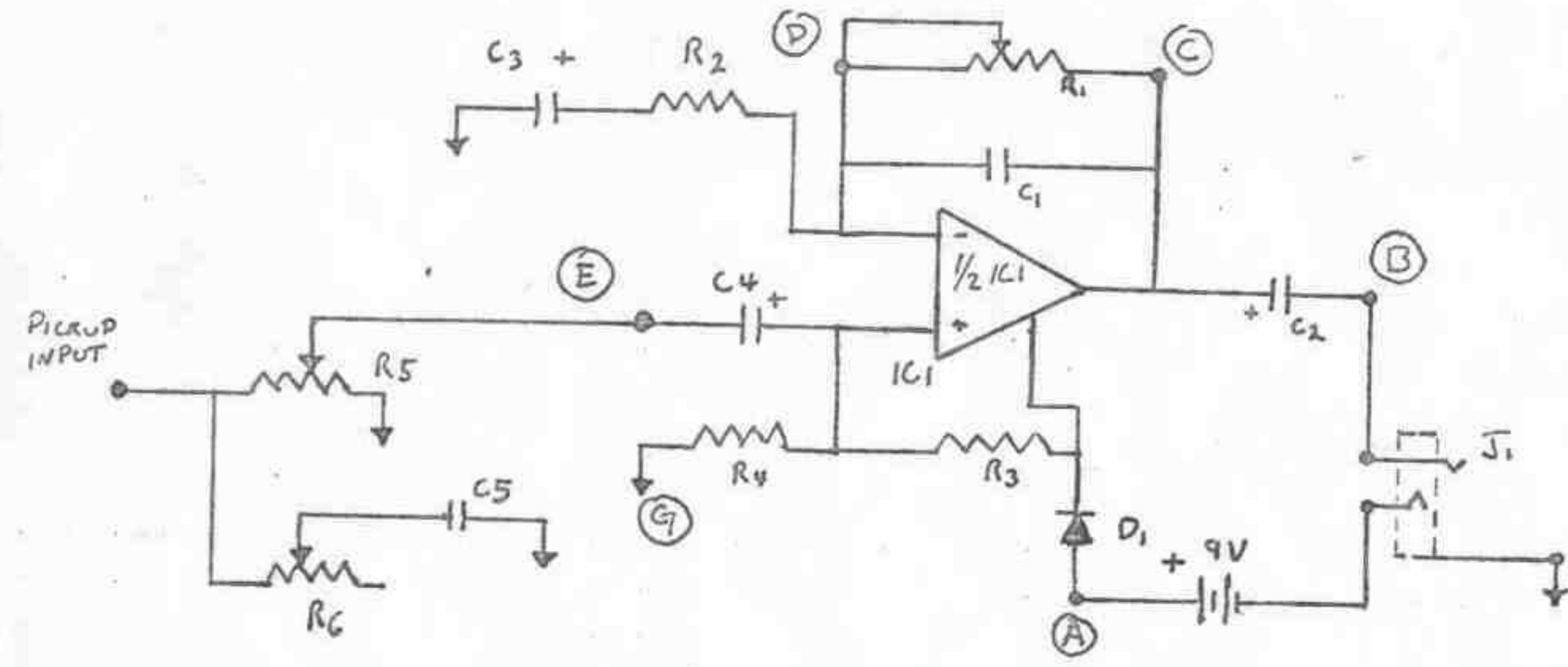
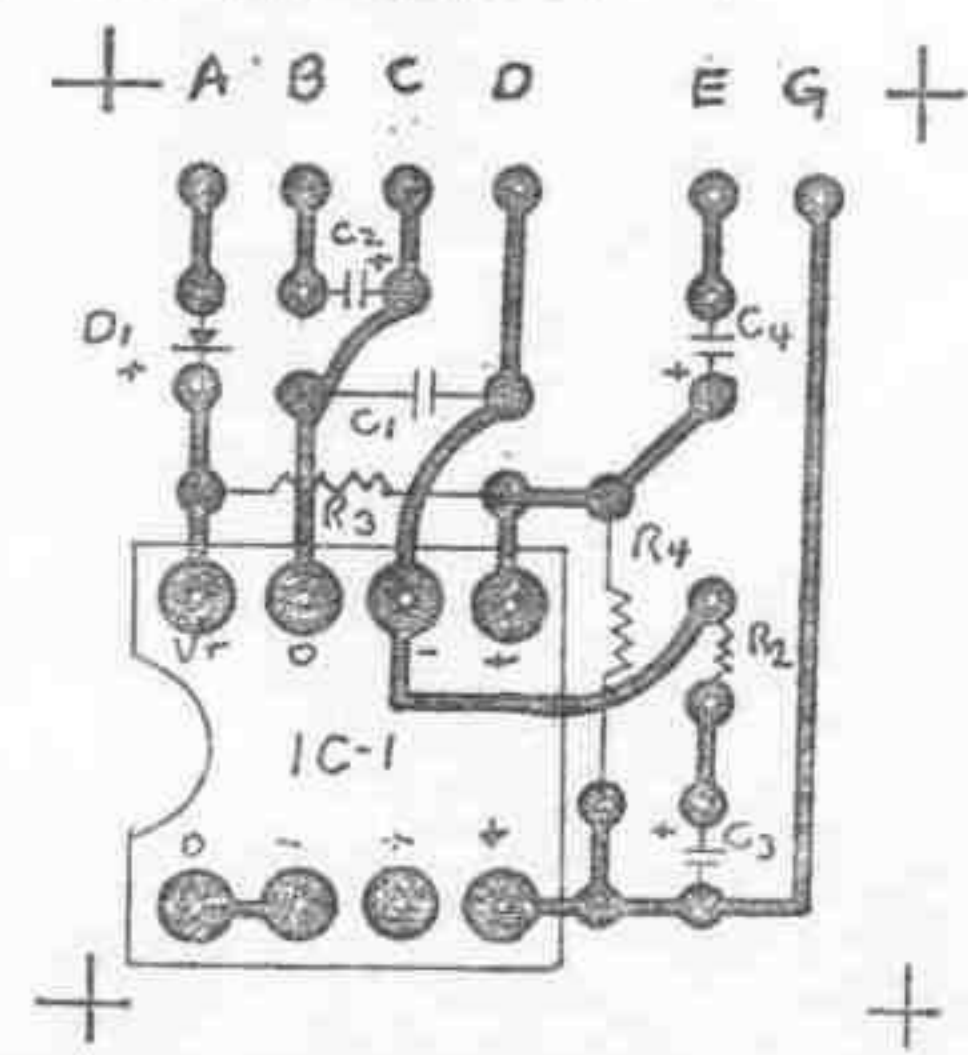


- C1 100 pF DISC
- C2 C3 C4 1 μF TANTALUM
- C5 .01 μF DISC
- R1 R5 R6 500K AUDIO
- R2 47K 1/4 W
- R3 R4 100K 1/4 W
- IC1 * LM 358

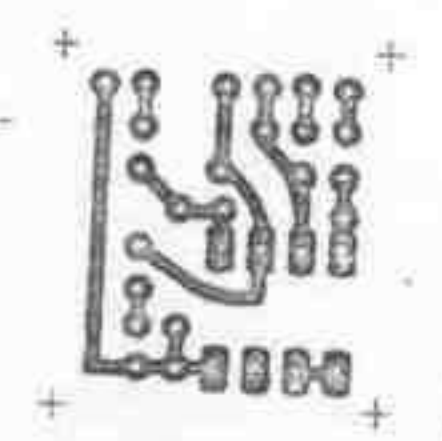


- TL062
- TL072
- 1458
- 4558
- 4559
- TL022
- STEREO
- 1 AMP 200 PIV

SCALE ≈ 3:1
COMPONENT SIDE
TOP



SCALE 1:1
BOTTOM
FOIL SIDE



ACTIVE
BASS -
CIRCUIT