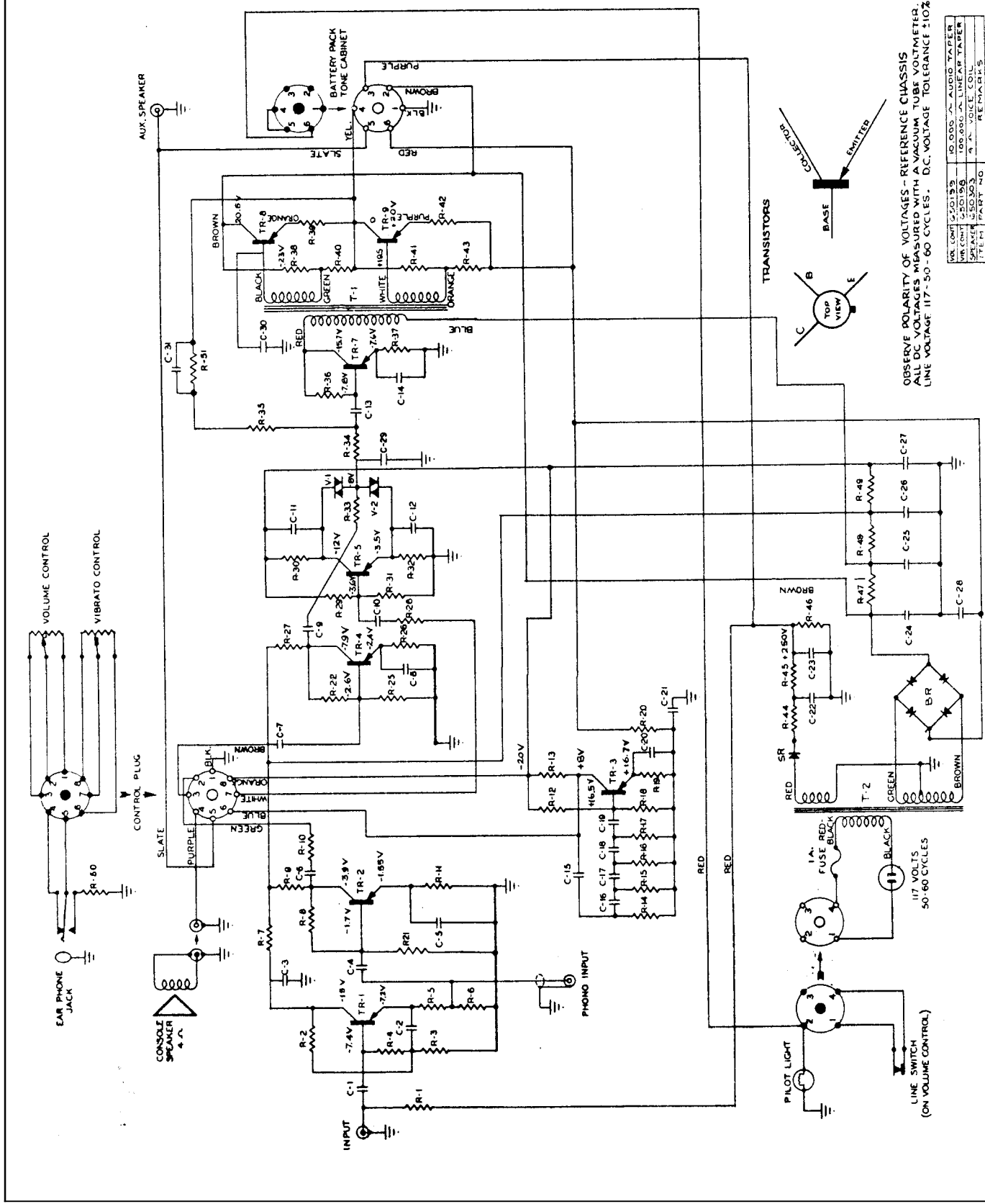


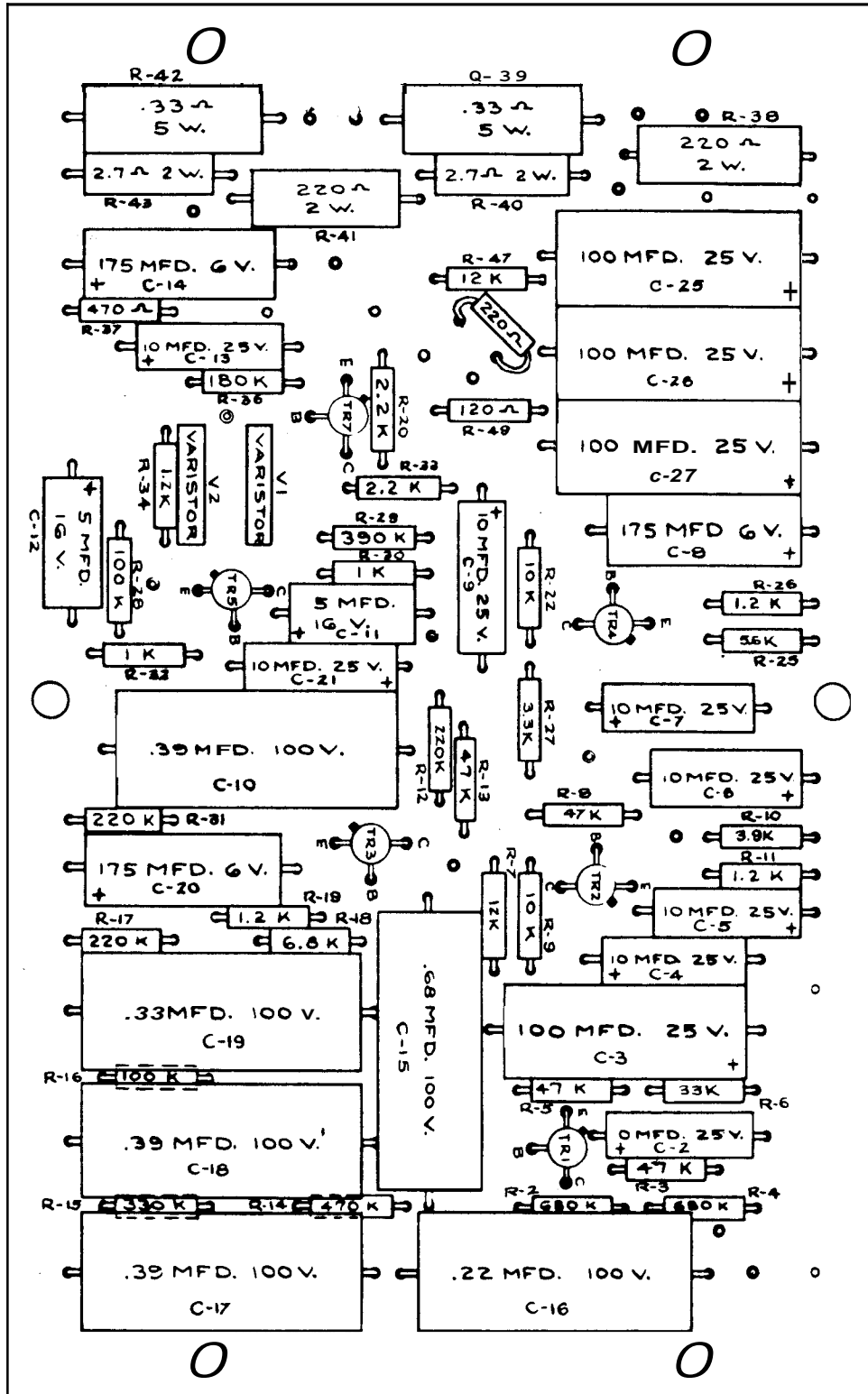
R-1	2200	10	10% 1/2W
R-2	2200	10	10% 1/2W
R-3	2200	10	10% 1/2W
R-4	2200	10	10% 1/2W
R-5	2200	10	10% 1/2W
R-6	2200	10	10% 1/2W
R-7	2200	10	10% 1/2W
R-8	2200	10	10% 1/2W
R-9	2200	10	10% 1/2W
R-10	2200	10	10% 1/2W
R-11	2200	10	10% 1/2W
R-12	2200	10	10% 1/2W
R-13	2200	10	10% 1/2W
R-14	2200	10	10% 1/2W
R-15	2200	10	10% 1/2W
R-16	2200	10	10% 1/2W
R-17	2200	10	10% 1/2W
R-18	2200	10	10% 1/2W
R-19	2200	10	10% 1/2W
R-20	2200	10	10% 1/2W
R-21	2200	10	10% 1/2W
R-22	2200	10	10% 1/2W
R-23	2200	10	10% 1/2W
R-24	2200	10	10% 1/2W
R-25	2200	10	10% 1/2W
R-26	2200	10	10% 1/2W
R-27	2200	10	10% 1/2W
R-28	2200	10	10% 1/2W
R-29	2200	10	10% 1/2W
R-30	2200	10	10% 1/2W
R-31	2200	10	10% 1/2W
R-32	2200	10	10% 1/2W
R-33	2200	10	10% 1/2W
R-34	2200	10	10% 1/2W
R-35	2200	10	10% 1/2W
R-36	2200	10	10% 1/2W
R-37	2200	10	10% 1/2W
R-38	2200	10	10% 1/2W
R-39	2200	10	10% 1/2W
R-40	2200	10	10% 1/2W
R-41	2200	10	10% 1/2W
R-42	2200	10	10% 1/2W
R-43	2200	10	10% 1/2W
R-44	2200	10	10% 1/2W
R-45	2200	10	10% 1/2W
R-46	2200	10	10% 1/2W
R-47	2200	10	10% 1/2W
R-48	2200	10	10% 1/2W
R-49	2200	10	10% 1/2W
R-50	2200	10	10% 1/2W
R-51	2200	10	10% 1/2W
R-52	2200	10	10% 1/2W
R-53	2200	10	10% 1/2W
R-54	2200	10	10% 1/2W
R-55	2200	10	10% 1/2W
R-56	2200	10	10% 1/2W
R-57	2200	10	10% 1/2W
R-58	2200	10	10% 1/2W
R-59	2200	10	10% 1/2W
R-60	2200	10	10% 1/2W
R-61	2200	10	10% 1/2W
R-62	2200	10	10% 1/2W
R-63	2200	10	10% 1/2W
R-64	2200	10	10% 1/2W
R-65	2200	10	10% 1/2W
R-66	2200	10	10% 1/2W
R-67	2200	10	10% 1/2W
R-68	2200	10	10% 1/2W
R-69	2200	10	10% 1/2W
R-70	2200	10	10% 1/2W
R-71	2200	10	10% 1/2W
R-72	2200	10	10% 1/2W
R-73	2200	10	10% 1/2W
R-74	2200	10	10% 1/2W
R-75	2200	10	10% 1/2W
R-76	2200	10	10% 1/2W
R-77	2200	10	10% 1/2W
R-78	2200	10	10% 1/2W
R-79	2200	10	10% 1/2W
R-80	2200	10	10% 1/2W
R-81	2200	10	10% 1/2W
R-82	2200	10	10% 1/2W
R-83	2200	10	10% 1/2W
R-84	2200	10	10% 1/2W
R-85	2200	10	10% 1/2W
R-86	2200	10	10% 1/2W
R-87	2200	10	10% 1/2W
R-88	2200	10	10% 1/2W
R-89	2200	10	10% 1/2W
R-90	2200	10	10% 1/2W
R-91	2200	10	10% 1/2W
R-92	2200	10	10% 1/2W
R-93	2200	10	10% 1/2W
R-94	2200	10	10% 1/2W
R-95	2200	10	10% 1/2W
R-96	2200	10	10% 1/2W
R-97	2200	10	10% 1/2W
R-98	2200	10	10% 1/2W
R-99	2200	10	10% 1/2W
R-100	2200	10	10% 1/2W



THE WURLITZER COMPANY DE KALB DIVISION - DE KALB
 MODEL 140 ELECTRONIC PIANO
 TITLE AMPLIFIER
 STARTING SERIAL No. 25001
 ISSUE 2, DATE 7/

VAL. OHM	250159	10,000 Ω AUDIO TAPER
VAL. OHM	250196	100,000 Ω LINEAR TAPER
SPEAKER	250303	4" A. VOICE COIL
ITEM	PART NO.	REMARKS
T-1	650442	DRIVER TRANSFORMER
T-2	650456	DRIVER TRANSFORMER
T-3	650470	DRIVER TRANSFORMER
T-4	650484	DRIVER TRANSFORMER
T-5	650498	DRIVER TRANSFORMER
T-6	650512	DRIVER TRANSFORMER
T-7	650526	DRIVER TRANSFORMER
T-8	650540	DRIVER TRANSFORMER
T-9	650554	DRIVER TRANSFORMER
T-10	650568	DRIVER TRANSFORMER
T-11	650582	DRIVER TRANSFORMER
T-12	650596	DRIVER TRANSFORMER
T-13	650610	DRIVER TRANSFORMER
T-14	650624	DRIVER TRANSFORMER
T-15	650638	DRIVER TRANSFORMER
T-16	650652	DRIVER TRANSFORMER
T-17	650666	DRIVER TRANSFORMER
T-18	650680	DRIVER TRANSFORMER
T-19	650694	DRIVER TRANSFORMER
T-20	650708	DRIVER TRANSFORMER
T-21	650722	DRIVER TRANSFORMER
T-22	650736	DRIVER TRANSFORMER
T-23	650750	DRIVER TRANSFORMER
T-24	650764	DRIVER TRANSFORMER
T-25	650778	DRIVER TRANSFORMER
T-26	650792	DRIVER TRANSFORMER
T-27	650806	DRIVER TRANSFORMER
T-28	650820	DRIVER TRANSFORMER
T-29	650834	DRIVER TRANSFORMER
T-30	650848	DRIVER TRANSFORMER
T-31	650862	DRIVER TRANSFORMER
T-32	650876	DRIVER TRANSFORMER
T-33	650890	DRIVER TRANSFORMER
T-34	650904	DRIVER TRANSFORMER
T-35	650918	DRIVER TRANSFORMER
T-36	650932	DRIVER TRANSFORMER
T-37	650946	DRIVER TRANSFORMER
T-38	650960	DRIVER TRANSFORMER
T-39	650974	DRIVER TRANSFORMER
T-40	650988	DRIVER TRANSFORMER
T-41	651002	DRIVER TRANSFORMER
T-42	651016	DRIVER TRANSFORMER
T-43	651030	DRIVER TRANSFORMER
T-44	651044	DRIVER TRANSFORMER
T-45	651058	DRIVER TRANSFORMER
T-46	651072	DRIVER TRANSFORMER
T-47	651086	DRIVER TRANSFORMER
T-48	651100	DRIVER TRANSFORMER
T-49	651114	DRIVER TRANSFORMER
T-50	651128	DRIVER TRANSFORMER
T-51	651142	DRIVER TRANSFORMER
T-52	651156	DRIVER TRANSFORMER
T-53	651170	DRIVER TRANSFORMER
T-54	651184	DRIVER TRANSFORMER
T-55	651198	DRIVER TRANSFORMER
T-56	651212	DRIVER TRANSFORMER
T-57	651226	DRIVER TRANSFORMER
T-58	651240	DRIVER TRANSFORMER
T-59	651254	DRIVER TRANSFORMER
T-60	651268	DRIVER TRANSFORMER
T-61	651282	DRIVER TRANSFORMER
T-62	651296	DRIVER TRANSFORMER
T-63	651310	DRIVER TRANSFORMER
T-64	651324	DRIVER TRANSFORMER
T-65	651338	DRIVER TRANSFORMER
T-66	651352	DRIVER TRANSFORMER
T-67	651366	DRIVER TRANSFORMER
T-68	651380	DRIVER TRANSFORMER
T-69	651394	DRIVER TRANSFORMER
T-70	651408	DRIVER TRANSFORMER
T-71	651422	DRIVER TRANSFORMER
T-72	651436	DRIVER TRANSFORMER
T-73	651450	DRIVER TRANSFORMER
T-74	651464	DRIVER TRANSFORMER
T-75	651478	DRIVER TRANSFORMER
T-76	651492	DRIVER TRANSFORMER
T-77	651506	DRIVER TRANSFORMER
T-78	651520	DRIVER TRANSFORMER
T-79	651534	DRIVER TRANSFORMER
T-80	651548	DRIVER TRANSFORMER
T-81	651562	DRIVER TRANSFORMER
T-82	651576	DRIVER TRANSFORMER
T-83	651590	DRIVER TRANSFORMER
T-84	651604	DRIVER TRANSFORMER
T-85	651618	DRIVER TRANSFORMER
T-86	651632	DRIVER TRANSFORMER
T-87	651646	DRIVER TRANSFORMER
T-88	651660	DRIVER TRANSFORMER
T-89	651674	DRIVER TRANSFORMER
T-90	651688	DRIVER TRANSFORMER
T-91	651702	DRIVER TRANSFORMER
T-92	651716	DRIVER TRANSFORMER
T-93	651730	DRIVER TRANSFORMER
T-94	651744	DRIVER TRANSFORMER
T-95	651758	DRIVER TRANSFORMER
T-96	651772	DRIVER TRANSFORMER
T-97	651786	DRIVER TRANSFORMER
T-98	651800	DRIVER TRANSFORMER
T-99	651814	DRIVER TRANSFORMER
T-100	651828	DRIVER TRANSFORMER

OBserve POLARITY OF VOLTAGES - REFERENCE CHASSIS
 ALL DC VOLTAGES MEASURED WITH A VACUUM TUBE VOLTMETER.
 LINE VOLTAGE 117-50-60 CYCLES. D.C. VOLTAGE TOLERANCE ±10%.



Q AND C-COMPONENTS NOT SHOWN ON PRINTED CIRCUIT BOARD WILL BE FOUND LOCATED ON METAL CHASSIS.

THE WURLITZER COMPANY DEKALB DIVISION- DE KALB, ILLINOIS
MODEL 140 ELECTRONIC PIANO
 TITLE AMPLIFIER PRINTED BOARD SCHEMATIC PART No. 650443
 STARTING SERIAL No. 25001 ISSUE 2 DATE 7/10/62