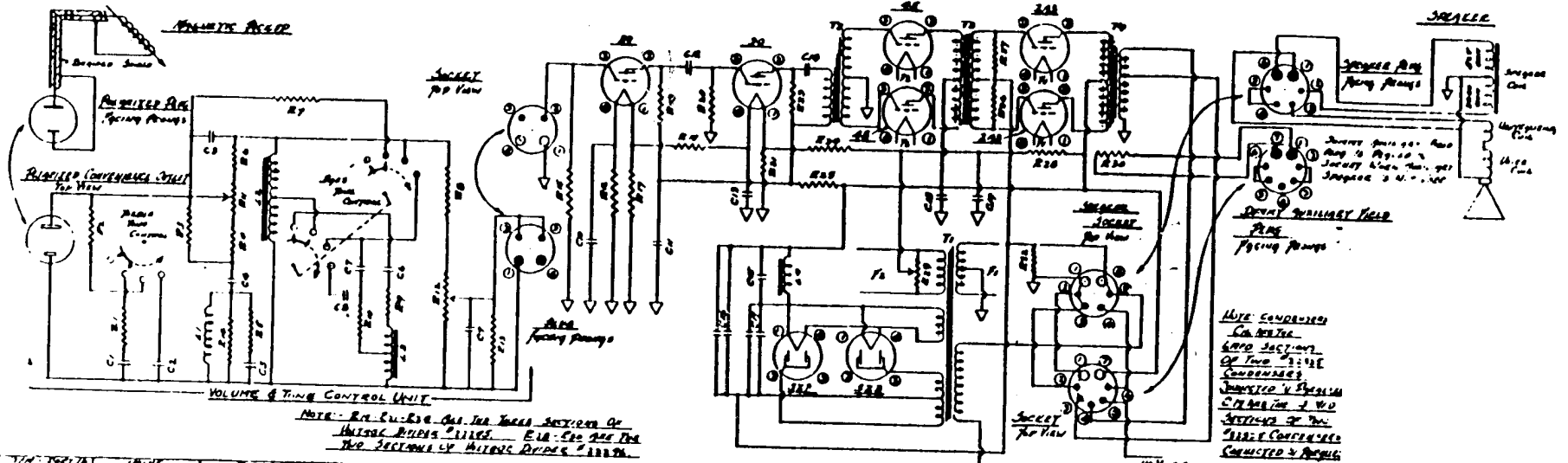


SOUND SYSTEM FOR MODEL-35.

PICKUP - PART# 22377. VOLUME CONTROL - PART# 22521. AMPLIFIER - 680. #22357. SPEAKER - PART# 2232



Part No.	Value	Quantity	Part No.	Value	Quantity	Part No.	Value	Quantity	Part No.	Value	Quantity
R1	1000 OHM	1	R7	22000 OHM	1	R11	1000 OHM	1	R15	1000 OHM	1
R2	1000 OHM	1	R8	22000 OHM	1	R12	1000 OHM	1	R16	1000 OHM	1
R3	1000 OHM	1	R9	22000 OHM	1	R13	1000 OHM	1	R17	1000 OHM	1
R4	1000 OHM	1	R10	22000 OHM	1	R14	1000 OHM	1	R18	1000 OHM	1
R5	1000 OHM	1	R11	22000 OHM	1	R15	1000 OHM	1	R19	1000 OHM	1
R6	1000 OHM	1	R12	22000 OHM	1	R16	1000 OHM	1	R20	1000 OHM	1
R7	1000 OHM	1	R13	22000 OHM	1	R17	1000 OHM	1	R21	1000 OHM	1
R8	1000 OHM	1	R14	22000 OHM	1	R18	1000 OHM	1	R22	1000 OHM	1
R9	1000 OHM	1	R15	22000 OHM	1	R19	1000 OHM	1	R23	1000 OHM	1
R10	1000 OHM	1	R16	22000 OHM	1	R20	1000 OHM	1	R24	1000 OHM	1
R11	1000 OHM	1	R17	22000 OHM	1	R21	1000 OHM	1	R25	1000 OHM	1
R12	1000 OHM	1	R18	22000 OHM	1	R22	1000 OHM	1	R26	1000 OHM	1
R13	1000 OHM	1	R19	22000 OHM	1	R23	1000 OHM	1	R27	1000 OHM	1
R14	1000 OHM	1	R20	22000 OHM	1	R24	1000 OHM	1	R28	1000 OHM	1
R15	1000 OHM	1	R21	22000 OHM	1	R25	1000 OHM	1	R29	1000 OHM	1
R16	1000 OHM	1	R22	22000 OHM	1	R26	1000 OHM	1	R30	1000 OHM	1
R17	1000 OHM	1	R23	22000 OHM	1	R27	1000 OHM	1	R31	1000 OHM	1
R18	1000 OHM	1	R24	22000 OHM	1	R28	1000 OHM	1	R32	1000 OHM	1
R19	1000 OHM	1	R25	22000 OHM	1	R29	1000 OHM	1	R33	1000 OHM	1
R20	1000 OHM	1	R26	22000 OHM	1	R30	1000 OHM	1	R34	1000 OHM	1
R21	1000 OHM	1	R27	22000 OHM	1	R31	1000 OHM	1	R35	1000 OHM	1
R22	1000 OHM	1	R28	22000 OHM	1	R32	1000 OHM	1	R36	1000 OHM	1
R23	1000 OHM	1	R29	22000 OHM	1	R33	1000 OHM	1	R37	1000 OHM	1
R24	1000 OHM	1	R30	22000 OHM	1	R34	1000 OHM	1	R38	1000 OHM	1
R25	1000 OHM	1	R31	22000 OHM	1	R35	1000 OHM	1	R39	1000 OHM	1
R26	1000 OHM	1	R32	22000 OHM	1	R36	1000 OHM	1	R40	1000 OHM	1
R27	1000 OHM	1	R33	22000 OHM	1	R37	1000 OHM	1	R41	1000 OHM	1
R28	1000 OHM	1	R34	22000 OHM	1	R38	1000 OHM	1	R42	1000 OHM	1
R29	1000 OHM	1	R35	22000 OHM	1	R39	1000 OHM	1	R43	1000 OHM	1
R30	1000 OHM	1	R36	22000 OHM	1	R40	1000 OHM	1	R44	1000 OHM	1
R31	1000 OHM	1	R37	22000 OHM	1	R41	1000 OHM	1	R45	1000 OHM	1
R32	1000 OHM	1	R38	22000 OHM	1	R42	1000 OHM	1	R46	1000 OHM	1
R33	1000 OHM	1	R39	22000 OHM	1	R43	1000 OHM	1	R47	1000 OHM	1
R34	1000 OHM	1	R40	22000 OHM	1	R44	1000 OHM	1	R48	1000 OHM	1
R35	1000 OHM	1	R41	22000 OHM	1	R45	1000 OHM	1	R49	1000 OHM	1
R36	1000 OHM	1	R42	22000 OHM	1	R46	1000 OHM	1	R50	1000 OHM	1
R37	1000 OHM	1	R43	22000 OHM	1	R47	1000 OHM	1	R51	1000 OHM	1
R38	1000 OHM	1	R44	22000 OHM	1	R48	1000 OHM	1	R52	1000 OHM	1
R39	1000 OHM	1	R45	22000 OHM	1	R49	1000 OHM	1	R53	1000 OHM	1
R40	1000 OHM	1	R46	22000 OHM	1	R50	1000 OHM	1	R54	1000 OHM	1
R41	1000 OHM	1	R47	22000 OHM	1	R51	1000 OHM	1	R55	1000 OHM	1
R42	1000 OHM	1	R48	22000 OHM	1	R52	1000 OHM	1	R56	1000 OHM	1
R43	1000 OHM	1	R49	22000 OHM	1	R53	1000 OHM	1	R57	1000 OHM	1
R44	1000 OHM	1	R50	22000 OHM	1	R54	1000 OHM	1	R58	1000 OHM	1
R45	1000 OHM	1	R51	22000 OHM	1	R55	1000 OHM	1	R59	1000 OHM	1
R46	1000 OHM	1	R52	22000 OHM	1	R56	1000 OHM	1	R60	1000 OHM	1
R47	1000 OHM	1	R53	22000 OHM	1	R57	1000 OHM	1	R61	1000 OHM	1
R48	1000 OHM	1	R54	22000 OHM	1	R58	1000 OHM	1	R62	1000 OHM	1
R49	1000 OHM	1	R55	22000 OHM	1	R59	1000 OHM	1	R63	1000 OHM	1
R50	1000 OHM	1	R56	22000 OHM	1	R60	1000 OHM	1	R64	1000 OHM	1
R51	1000 OHM	1	R57	22000 OHM	1	R61	1000 OHM	1	R65	1000 OHM	1
R52	1000 OHM	1	R58	22000 OHM	1	R62	1000 OHM	1	R66	1000 OHM	1
R53	1000 OHM	1	R59	22000 OHM	1	R63	1000 OHM	1	R67	1000 OHM	1
R54	1000 OHM	1	R60	22000 OHM	1	R64	1000 OHM	1	R68	1000 OHM	1
R55	1000 OHM	1	R61	22000 OHM	1	R65	1000 OHM	1	R69	1000 OHM	1
R56	1000 OHM	1	R62	22000 OHM	1	R66	1000 OHM	1	R70	1000 OHM	1
R57	1000 OHM	1	R63	22000 OHM	1	R67	1000 OHM	1	R71	1000 OHM	1
R58	1000 OHM	1	R64	22000 OHM	1	R68	1000 OHM	1	R72	1000 OHM	1
R59	1000 OHM	1	R65	22000 OHM	1	R69	1000 OHM	1	R73	1000 OHM	1
R60	1000 OHM	1	R66	22000 OHM	1	R70	1000 OHM	1	R74	1000 OHM	1
R61	1000 OHM	1	R67	22000 OHM	1	R71	1000 OHM	1	R75	1000 OHM	1
R62	1000 OHM	1	R68	22000 OHM	1	R72	1000 OHM	1	R76	1000 OHM	1
R63	1000 OHM	1	R69	22000 OHM	1	R73	1000 OHM	1	R77	1000 OHM	1
R64	1000 OHM	1	R70	22000 OHM	1	R74	1000 OHM	1	R78	1000 OHM	1
R65	1000 OHM	1	R71	22000 OHM	1	R75	1000 OHM	1	R79	1000 OHM	1
R66	1000 OHM	1	R72	22000 OHM	1	R76	1000 OHM	1	R80	1000 OHM	1
R67	1000 OHM	1	R73	22000 OHM	1	R77	1000 OHM	1	R81	1000 OHM	1
R68	1000 OHM	1	R74	22000 OHM	1	R78	1000 OHM	1	R82	1000 OHM	1
R69	1000 OHM	1	R75	22000 OHM	1	R79	1000 OHM	1	R83	1000 OHM	1
R70	1000 OHM	1	R76	22000 OHM	1	R80	1000 OHM	1	R84	1000 OHM	1
R71	1000 OHM	1	R77	22000 OHM	1	R81	1000 OHM	1	R85	1000 OHM	1
R72	1000 OHM	1	R78	22000 OHM	1	R82	1000 OHM	1	R86	1000 OHM	1
R73	1000 OHM	1	R79	22000 OHM	1	R83	1000 OHM	1	R87	1000 OHM	1
R74	1000 OHM	1	R80	22000 OHM	1	R84	1000 OHM	1	R88	1000 OHM	1
R75	1000 OHM	1	R81	22000 OHM	1	R85	1000 OHM	1	R89	1000 OHM	1
R76	1000 OHM	1	R82	22000 OHM	1	R86	1000 OHM	1	R90	1000 OHM	1
R77	1000 OHM	1	R83	22000 OHM	1	R87	1000 OHM	1	R91	1000 OHM	1
R78	1000 OHM	1	R84	22000 OHM	1	R88	1000 OHM	1	R92	1000 OHM	1
R79	1000 OHM	1	R85	22000 OHM	1	R89	1000 OHM	1	R93	1000 OHM	1
R80	1000 OHM	1	R86	22000 OHM	1	R90	1000 OHM	1	R94	1000 OHM	1
R81	1000 OHM	1	R87	22000 OHM	1	R91	1000 OHM	1	R95	1000 OHM	1
R82	1000 OHM	1	R88	22000 OHM	1	R92	1000 OHM	1	R96	1000 OHM	1
R83	1000 OHM	1	R89	22000 OHM	1	R93	1000 OHM	1	R97	1000 OHM	1
R84	1000 OHM	1	R90	22000 OHM	1	R94	1000 OHM	1	R98	1000 OHM	1
R85	1000 OHM	1	R91	22000 OHM	1	R95	1000 OHM	1	R99	1000 OHM	1
R86	1000 OHM	1	R92	22000 OHM	1	R96	1000 OHM	1	R100	1000 OHM	1

VOLTAGES AND CURRENTS OF MODEL-680 AMPLIFIER. ALL VOLTAGES MEASURED WITH 1000-OHMS PER VOLT VOLTMETER.

PLATE VOLTAGE MEASURED FROM PLATE + TO FILAMENT -		PLATE CURRENTS:-		GRID VOLTAGE MEASURED FROM GRID - TO FILAMENT +.		FILAMENT VOLTAGE MEASURED ACROSS FILAMENT.	
OUTPUT 2A3	360-VOLTS D.C.	OUTPUT-2A3	370-M.A.D.C.	OUTPUT-2A3	74-VOLTS D.C.	OUTPUT 2A3	2.5-VOLTS A.C.
OUTPUT 2A3	360-VOLTS D.C.	OUTPUT-2A3	370-M.A.D.C.	OUTPUT-2A3	74-VOLTS D.C.	OUTPUT 2A3	2.5-VOLTS A.C.
-45	275-VOLTS D.C.	-45	32.0-M.A.D.C.	-45	62-VOLTS D.C.	-45	2.5-VOLTS A.C.
-45	275-VOLTS D.C.	-45	32.0-M.A.D.C.	-45	62-VOLTS D.C.	-45	2.5-VOLTS A.C.
-30	157-VOLTS D.C.	-30	2.3-M.A.D.C.	-45	62-VOLTS D.C.	-30	2.0-VOLTS D.C.
-30	37-VOLTS D.C.	-30	1.2-M.A.D.C.	-45	62-VOLTS D.C.	-30	2.0-VOLTS D.C.
525-OHM SPEAKER FIELD VOLTAGE MEASURED FROM #1-CONTACT TO #6-CONTACT ON SPEAKER SOCKET. - 72.5-VOLTS D.C.							
2400-OHM SPEAKER FIELD VOLTAGE MEASURED FROM #1-CONTACT TO #2-CONTACT ON SPEAKER SOCKET. - 260-VOLTS D.C.							