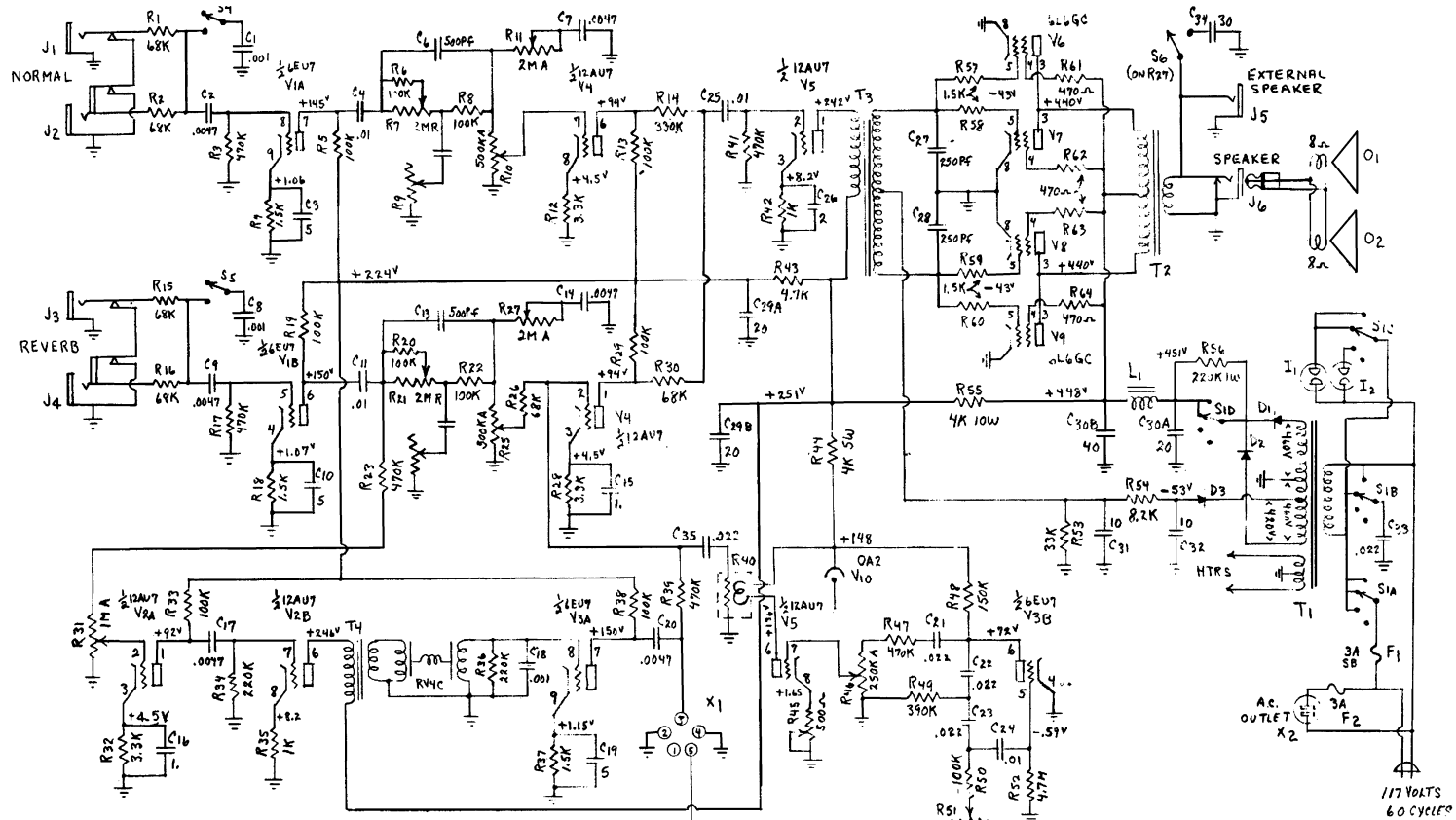
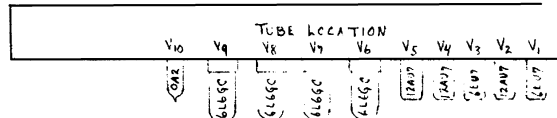


EA-300 RVT



Serial Number
A-65,001 to



- | | | | |
|--------------|--------------------------------|----------|---------------------------------------|
| T1 | TF-103P Power Transformer | D1, D2 | DI-57 Diode 1200 PIV, 250 MA |
| T2 | TF-503-0 Output Transformer | D3 | DI-405 Diode 200 PIV, 1 A D |
| T3 | TF-100LD PP Driver Transformer | | |
| T4 | TF-85L60 Reverb Transformer | C1, C2 | S-200L1 Speakers 12", 8 ohms |
| L1 | TF-1002C Filter Choke | R6 | CBA-811-3701 Control 250K Audio |
| S1A, B, C, D | SW-78A Switch | R11 | CBA-811-3702 Control 2 meg Audio |
| S2, S3 | SW-82L03 Foot Pedal Switches | R9, R10, | CBA-811-3707 Control 500K Audio |
| S4, S5 | SW-129 DPDT Slide Switches | R21, R25 | CBA-811-3709 Control 1 meg Audio |
| I1 | PL-32R Pilot Light (Red) | R1 | CBA-811-3711 Control 1.5 meg RA |
| I2 | PL-32A Pilot Light (Amber) | R51 | CBA-811-3751 Control 2 meg RA |
| | | R7, R21 | CBA-811-3751 Control 2 meg RA |
| | | R45 | CB-23391 Control 500 ohm W/W |
| | | R27 | CBA-4005 Control 2 meg Audio w/switch |