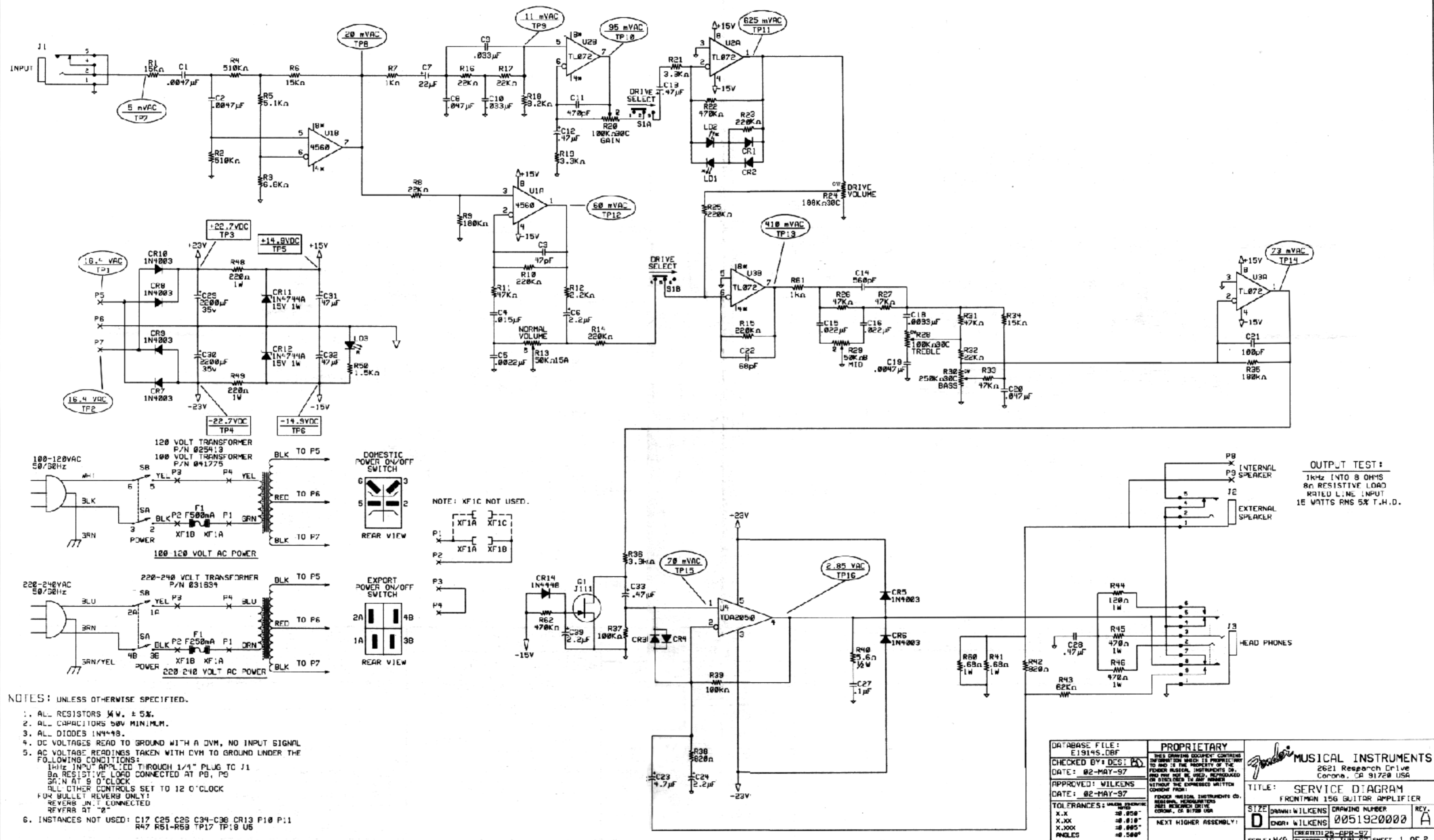


REVISIONS				
ZONE	REV.	DESCRIPTION	DATE	APPROVED
	A	RELEASED EC1914	02-MAY-97	MDW



OUTPUT TEST:
 1kHz INTO 8 OHMS
 8Ω RESISTIVE LOAD
 RATED LINE INPUT
 15 WATTS RMS 5% T.H.D.

- NOTES: UNLESS OTHERWISE SPECIFIED.
1. ALL RESISTORS $\frac{1}{4}$ W. $\pm 5\%$.
 2. ALL CAPACITORS 50V MINIMUM.
 3. ALL DIODES 1N4448.
 4. DC VOLTAGES READ TO GROUND WITH A DVM, NO INPUT SIGNAL.
 5. AC VOLTAGE READINGS TAKEN WITH CVM TO GROUND UNDER THE FOLLOWING CONDITIONS:
 1KHz INPUT APPLIED THROUGH 1/4" PLUG TO J1
 8Ω RESISTIVE LOAD CONNECTED AT P8, P9
 SWAN AT 9 O'CLOCK
 ALL OTHER CONTROLS SET TO 12 O'CLOCK
 FOR BULLET REVERB ONLY:
 REVERB INT. CONNECTED
 REVERB AT "0"
 6. INSTANCES NOT USED: C17 C25 C26 C34-C36 CR13 F10 P11 R47 R51-R59 TP17 TP18 U5

DATABASE FILE: E1914S.DBF CHECKED BY: DES: PD DATE: 02-MAY-97 APPROVED: WILKENS DATE: 02-MAY-97 TOLERANCES: UNLESS OTHERWISE SPECIFIED X.XX ±0.050" X.XXX ±0.010" X.XXX ±0.005" ANGLES ±0.500°	PROPRIETARY THIS DRAWING DOCUMENT CONTAINS INFORMATION WHICH IS PROPRIETARY TO AND IS THE PROPERTY OF THE FENDER MUSICAL INSTRUMENTS CO. AND MAY NOT BE USED, REPRODUCED OR DISCLOSED IN ANY MANNER WITHOUT THE EXPRESSED WRITTEN CONSENT FROM: FENDER MUSICAL INSTRUMENTS CO. REGIONAL HEADQUARTERS 2621 RESEARCH DRIVE CORONA, CA 91720 USA NEXT HIGHER ASSEMBLY:	MUSICAL INSTRUMENTS 2621 Research Drive Corona, CA 91720 USA TITLE: SERVICE DIAGRAM FRONTMAN 15G GUITAR AMPLIFIER SIZE: DRAWN: WILKENS DRAWING NUMBER: 0051920000 REV. A DATE: 02-MAY-97 SCALE: N/A CREATED: 25-APR-97 PLOTTED: 16-JUN-97 SHEET 1 OF 2
--	--	--