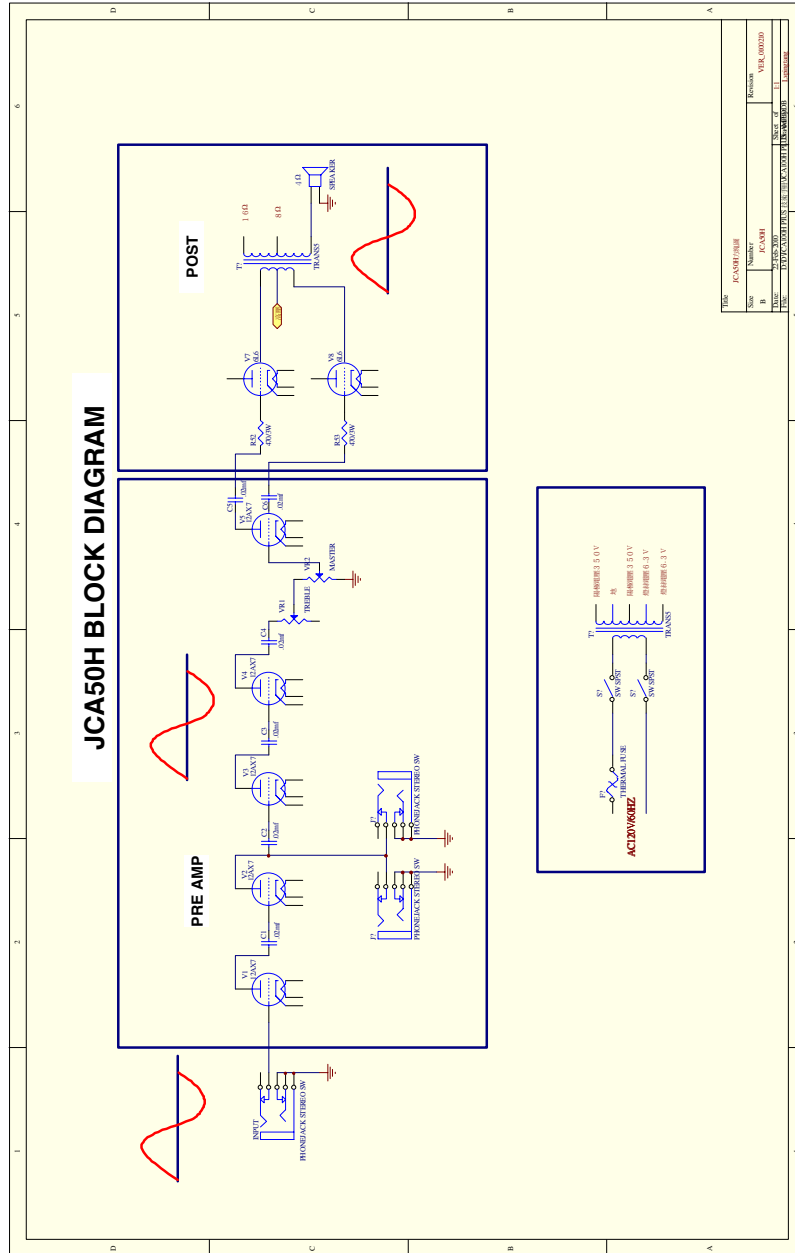


# JCA50H Schematic – Includes Bias Settings

## 2. Block Diagram



### 3. Schematic Diagram

