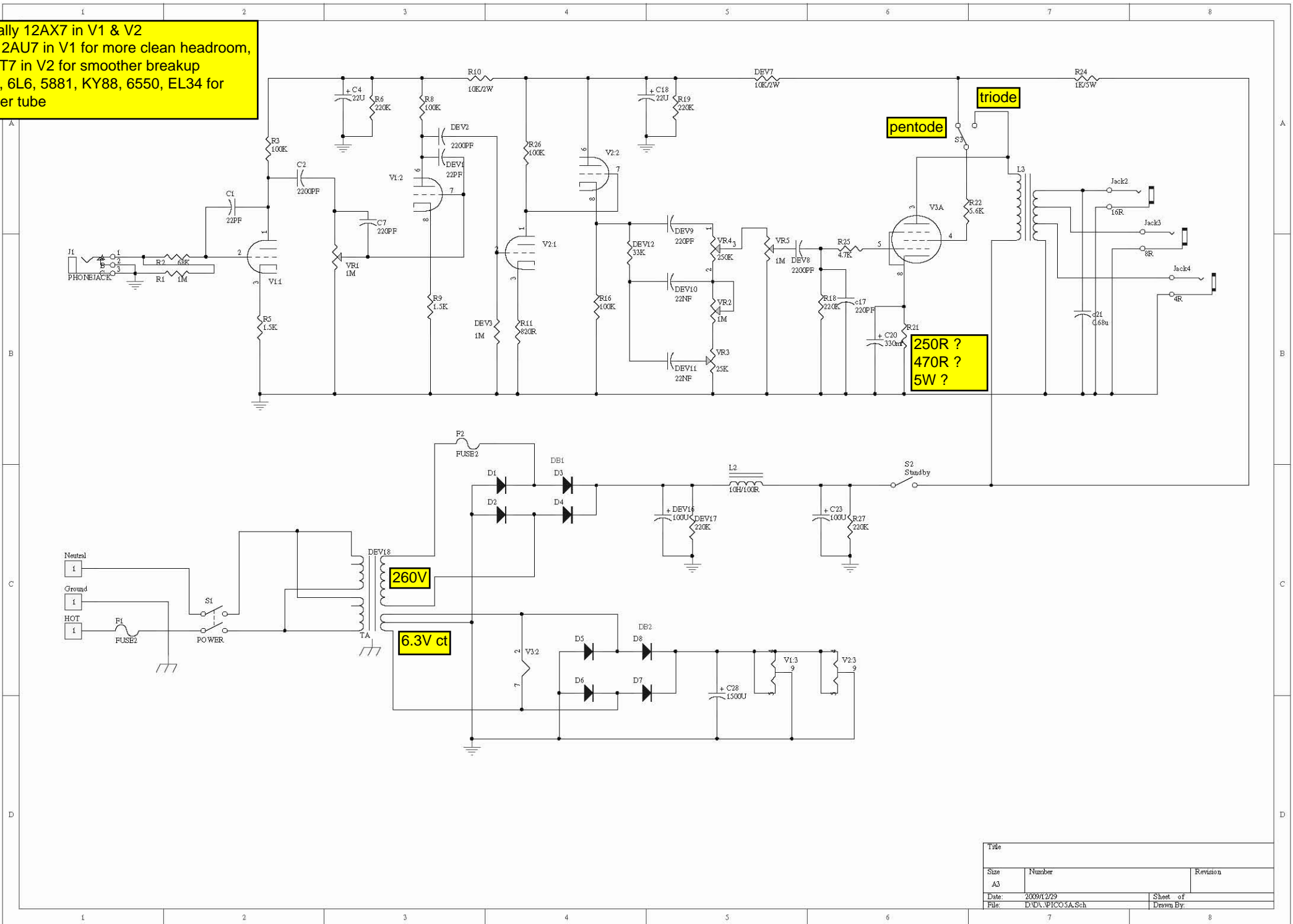


usually 12AX7 in V1 & V2
 try 12AU7 in V1 for more clean headroom,
 12AT7 in V2 for smoother breakup
 6V6, 6L6, 5881, KY88, 6550, EL34 for
 power tube



Title		
Size	Number	Revision
A3		
Date:	2009/12/29	Sheet of
File:	DNA_VICOSA.Sch	Drawn By:

