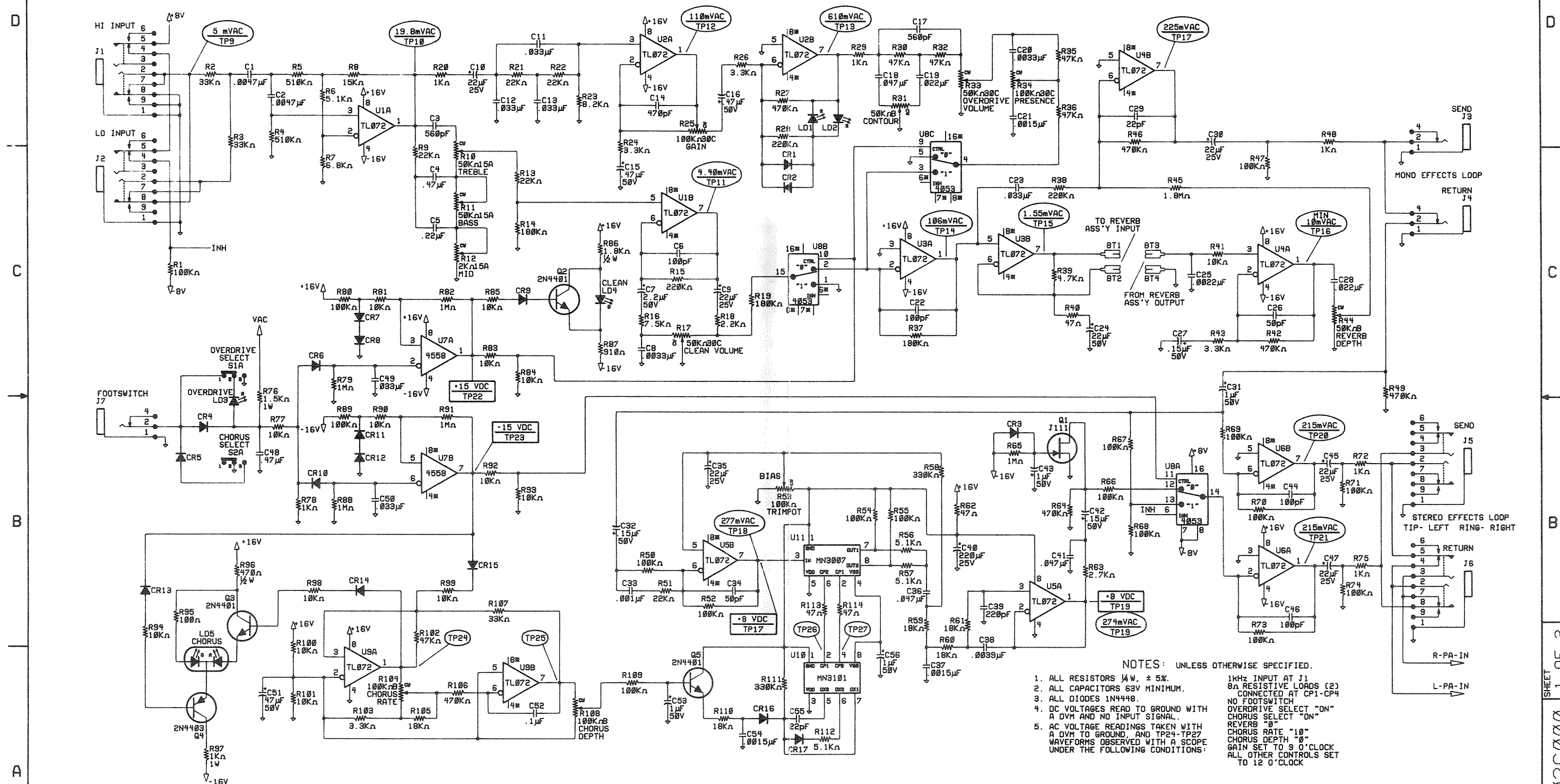


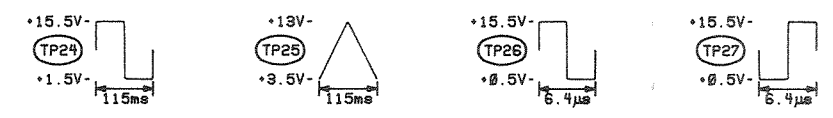
REVISIONS				
ZONE	REV.	DESCRIPTION	DATE	APPROVED
	A	RELEASED PR#154	6-8-90	Blos
	B	EC#643	9-10-90	Blos



NOTES: UNLESS OTHERWISE SPECIFIED.

1. ALL RESISTORS 1/4W. ± 5%.
2. ALL CAPACITORS 63V MINIMUM.
3. ALL DIODES 1N4448.
4. DC VOLTAGES READ TO GROUND WITH A DVM AND NO INPUT SIGNAL.
5. AC VOLTAGE READINGS TAKEN WITH A DVM TO GROUND AND TP24-TP27 WAVEFORMS OBSERVED WITH A SCOPE UNDER THE FOLLOWING CONDITIONS:

1KHz INPUT AT J1
 8Ω RESISTIVE LOADS (2) CONNECTED AT CP1-CP4
 NO FOOTSWITCH
 OVERDRIVE SELECT "ON"
 CHORUS SELECT "ON"
 REVERB "0"
 CHORUS RATE "10"
 CHORUS DEPTH "0"
 GAIN SET TO 9 O'CLOCK
 ALL OTHER CONTROLS SET TO 12 O'CLOCK

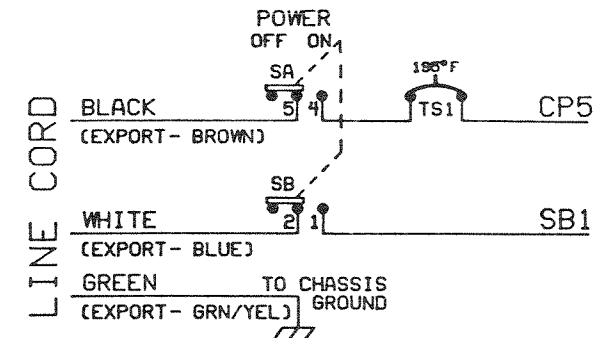
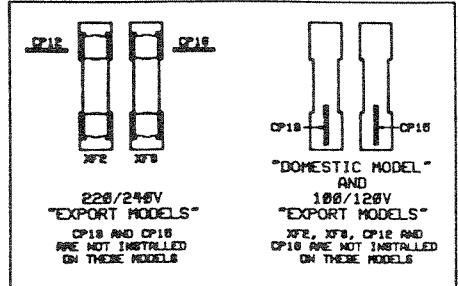


DATABASE FILE: FFF071S CHECKED BY: <i>Blos</i> DATE: 4-10-90 APPROVED: <i>Blos</i> DATE: 4-10-90 TOLERANCES: UNLESS OTHERWISE SPECIFIED: X.X AS 50% X.XX AS 0.1% X.XXX AS 0.05% ANGLCS AS 0.08°	PROPRIETARY THIS DRAWING DOCUMENT CONTAINS INFORMATION WHICH IS PROPRIETARY TO AND IS THE PROPERTY OF THE FENDER MUSICAL INSTRUMENTS CO. AND NOT BE USED, REPRODUCED OR DISCLOSED IN ANY MANNER WITHOUT THE EXPRESS WRITTEN CONSENT FROM: FENDER MUSICAL INSTRUMENTS CO. 1155 COLLEEN AT BREA, CALIFORNIA 92621 ROCK ON. NEXT HIGHER ASSEMBLY: M-80 CHORUS SCALE:	Fender MUSICAL INSTRUMENTS 1155 Columbia Street Brea, Ca. 92621 TITLE: SCHEMATIC DIAGRAM M-80 CHORUS AMPLIFIER SIZE: D DRAWN: B. DESI ENGR: B. DESI DRAWING NUMBER: 037023 REV. B CREATED: 31-MAY-90 PLOTTED: 10-SEP-90 SHEET 1 OF 2
---	--	---

SHEET 1 OF 2
PART NO. 0037026000

8 | 7 | 6 | 5 | 4 | 3 | 2 | 1

REVISIONS				
ZONE	REV.	DESCRIPTION	DATE	APPROVED
	A	RELEASED PR#154	6-8-90	LD

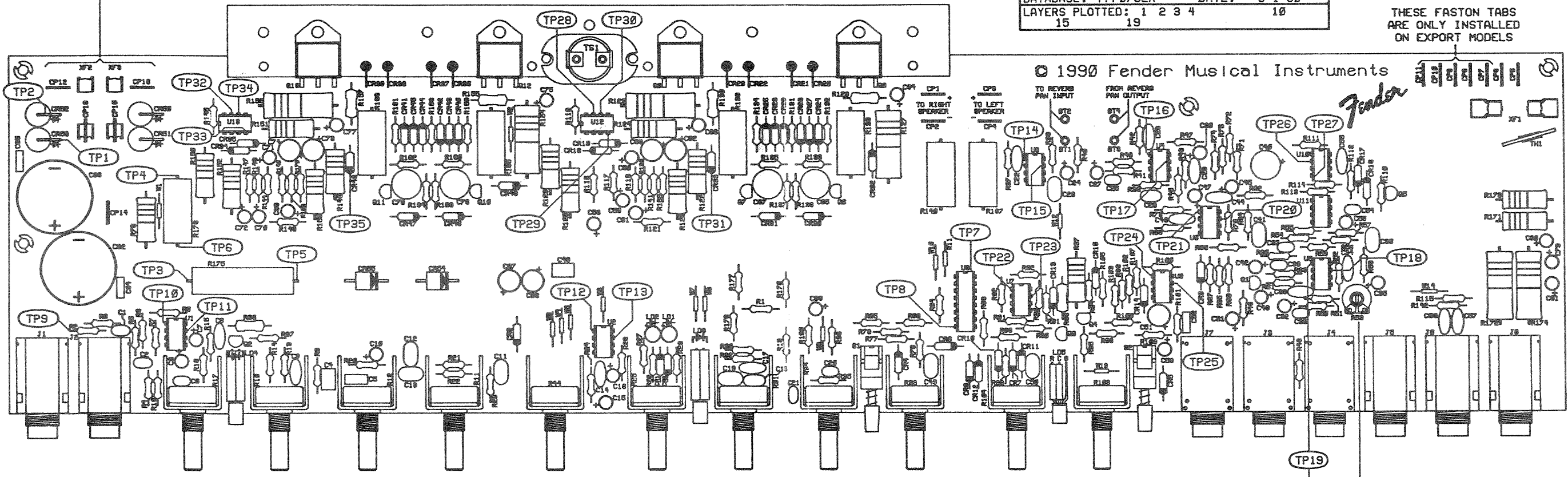


FILM/DWG: SERVICE DIAGRAM
DATABASE: FFF07SER DATE: 6-1-90
LAYERS PLOTTED: 1 2 3 4 10
15 19

PRODUCTION
JUN 08 1990
RELEASE

THESE FASTON TABS ARE ONLY INSTALLED ON EXPORT MODELS

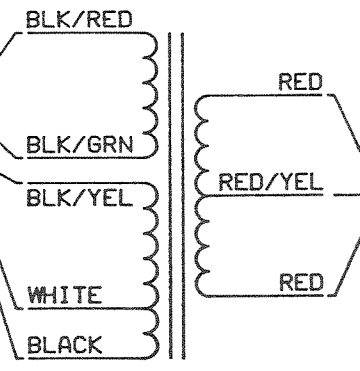
© 1990 Fender Musical Instruments



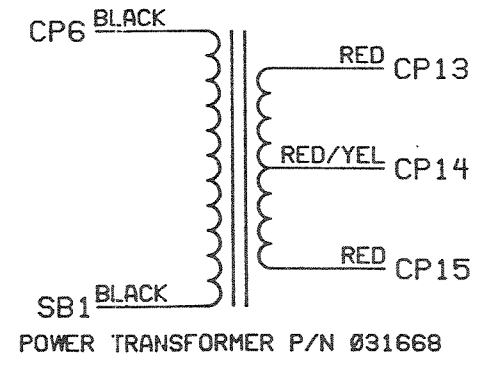
EXPORT MODELS

DOMESTIC MODEL

100V	120V	220V	240V
CP6	CP6	CP6	CP6
CP10	CP10	CP10	CP10
CP7	CP7	CP8	CP8
SB1	CP11	SB1	CP11
CP9	CP9	CP11	SB1



100V	120V	220V	240V
CP13	CP13	CP12	CP12
CP14	CP14	CP14	CP14
CP15	CP15	CP16	CP16



CP5 TO TS1 THERMOSTAT
* 120V-JUMPER CP8 TO SB1
POWER TRANSFORMER P/N 033069

POWER TRANSFORMER P/N 031668

CHORUS BIAS ADJUSTMENT:
WITH CHORUS SELECT ON, SET CHORUS RATE AND DEPTH CONTROLS FULLY CLOCKWISE. CONNECT A 1kHz SINEWAVE AT ABOUT 1.5 VOLTS RMS TO THE MONO EFFECTS LOOP RETURN JACK (J4). ADJUST TRIMPOT R53 FOR SYMMETRICAL CLIPPING AT U5 PIN 1 (TP19).

<p>DATABASE FILE: FFF07SER CHECKED BY: <i>LD</i> DATE: 6-4-90 APPROVED: <i>LD</i> DATE: 6-4-90</p>	<p>PROPRIETARY THIS DRAWING DOCUMENT CONTAINS INFORMATION WHICH IS PROPRIETARY TO AND IS THE PROPERTY OF THE FENDER MUSICAL INSTRUMENTS CO. AND MAY NOT BE USED, REPRODUCED OR DISCLOSED IN ANY FORMER WITHOUT THE EXPRESSED WRITTEN CONSENT FROM FENDER. FENDER MUSICAL INSTRUMENTS CO. 1190 COLUMBIA ST. BREA, CALIFORNIA 92621 ROCK ON.</p>	<p>Fender MUSICAL INSTRUMENTS 1190 Columbia Street Brea, Ca. 92621</p>
<p>TOLERANCES: UNLESS OTHERWISE SPECIFIED X.X .000" X.XX .010" X.XXX .005" ANGLES .500°</p>		
<p>NEXT HIGHER ASSEMBLY: M-80 CHORUS</p>		<p>TITLE: M-80 CHORUS AMPLIFIER</p>
<p>SIZE: D</p>	<p>SCALE:</p>	<p>DRAWING NUMBER: 037027 REV. A DATE: 5-31-90 SHEET 1 OF 1</p>

8 | 7 | 6 | 5 | 4 | 3 | 2 | 1