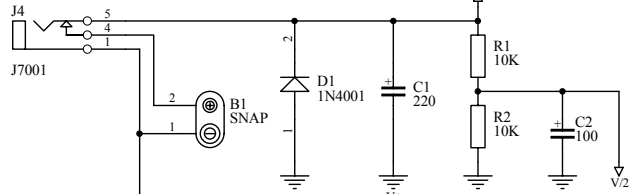
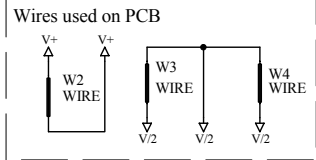
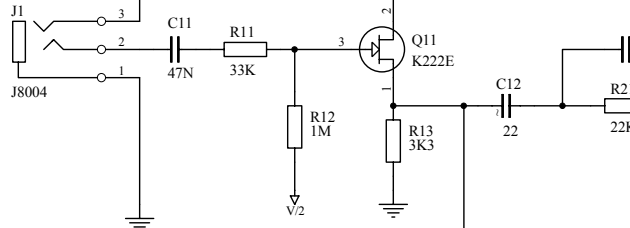


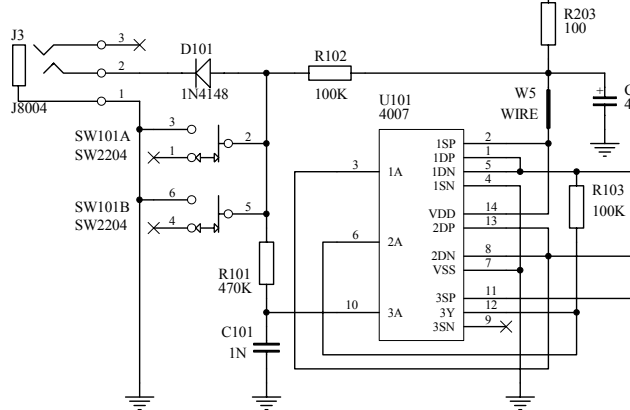
### POWER



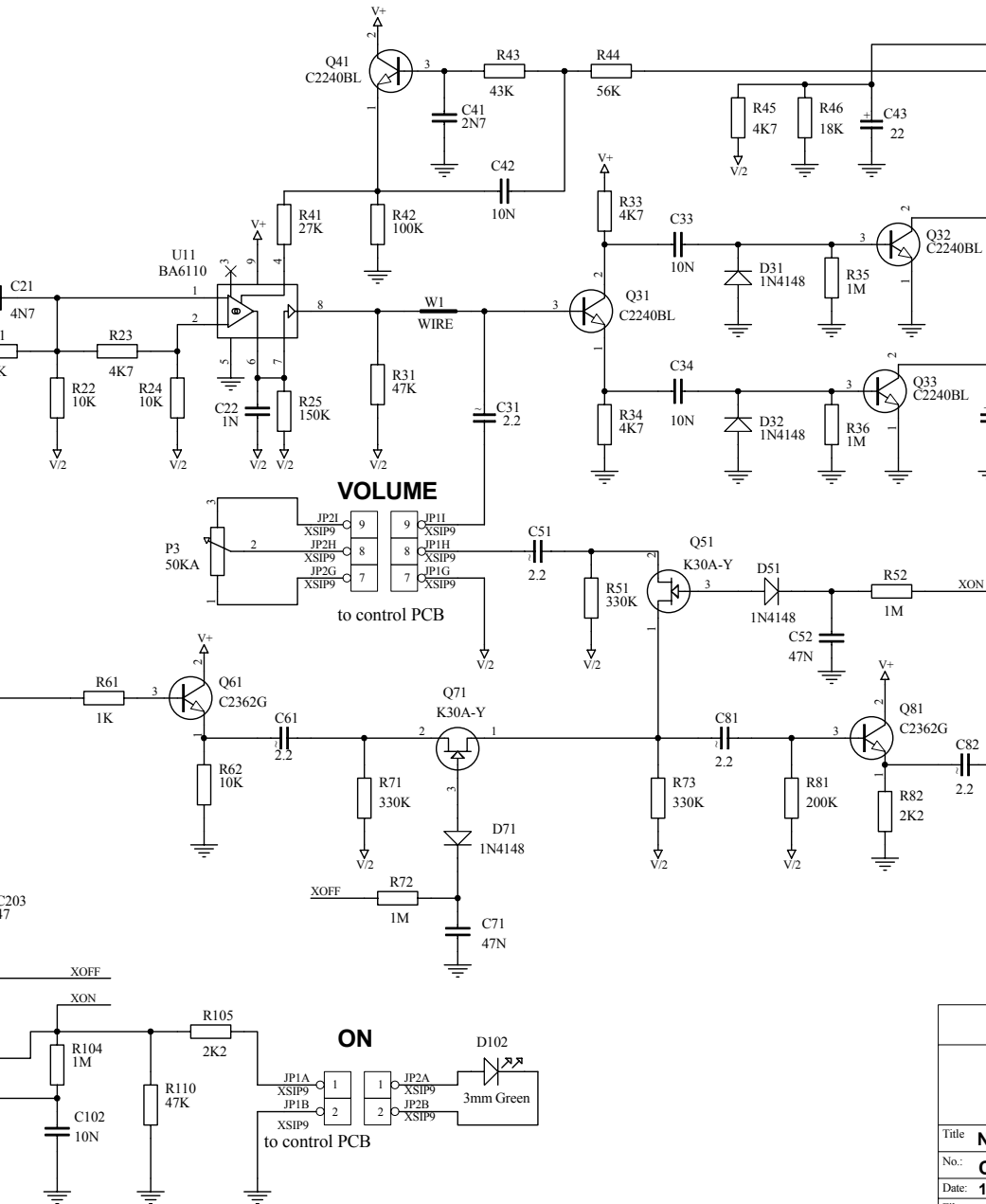
### INPUT



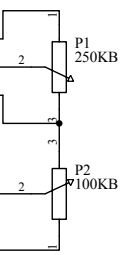
### BYPASS



### VOLUME



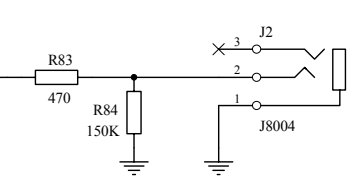
### SUSTAIN



### ATTACK



### OUTPUT



All unspecified capacitors in  $\mu$ F, resistors carbon 5%  
All rights reserved - Copyright NOBELS Electronics e.K.

**NOBELS ELECTRONICS**  
 Barnerstrasse 42, 22765 Hamburg, Germany  
[www.nobels.com](http://www.nobels.com) - email: [info@nobels.com](mailto:info@nobels.com)

Title: **NOBELS Circuit Diagram (Main)**

|       |                          |       |                 |       |               |
|-------|--------------------------|-------|-----------------|-------|---------------|
| No.:  | <b>Compressor / CO-2</b> | Size: | <b>A4</b>       | Rev:  | <b>3</b>      |
| Date: | <b>15-Apr-2003</b>       | Time: | <b>18:31:57</b> | Sheet | <b>1 of 1</b> |
| File: | <b>CO2_M_3.SCH</b>       |       |                 |       |               |