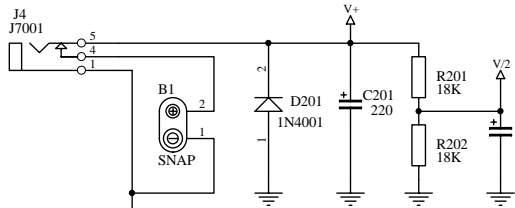
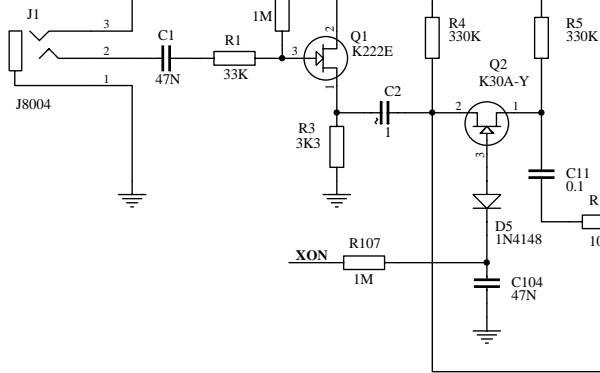


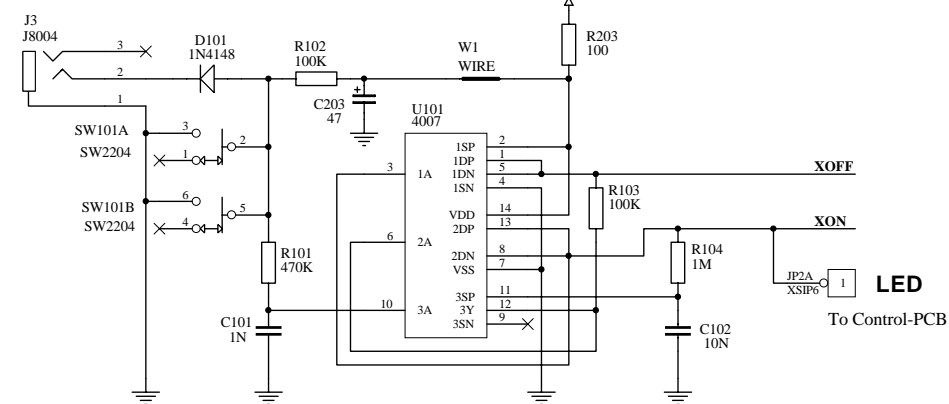
**POWER**



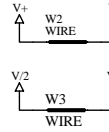
**INPUT**



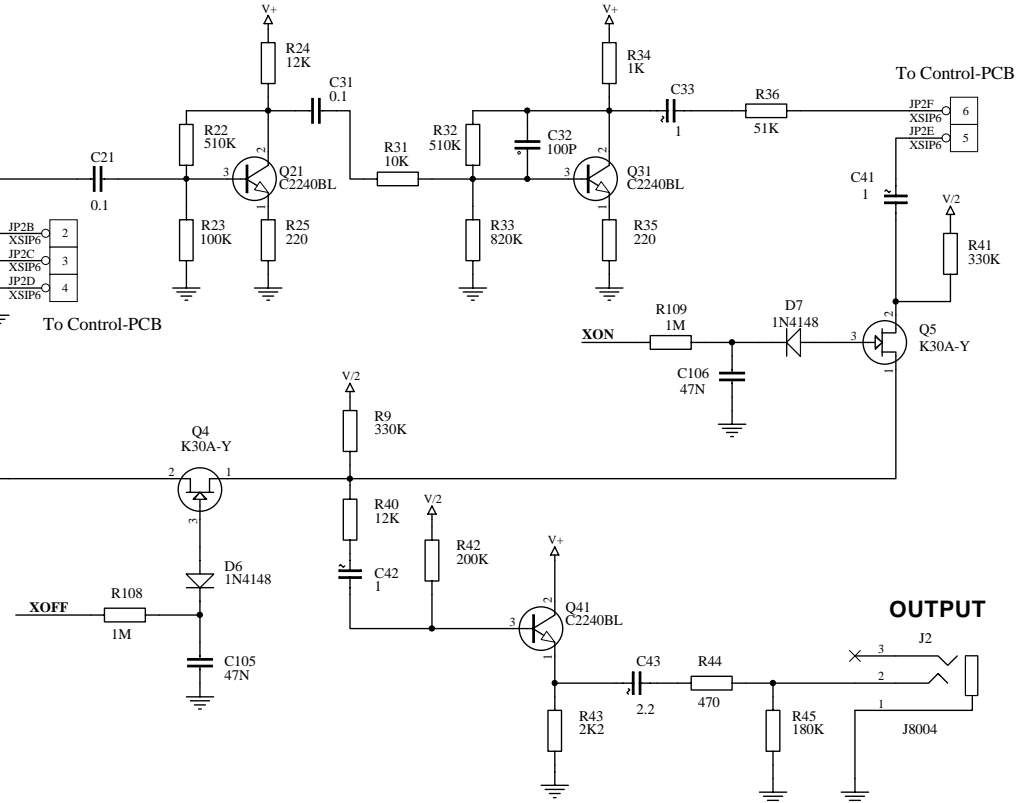
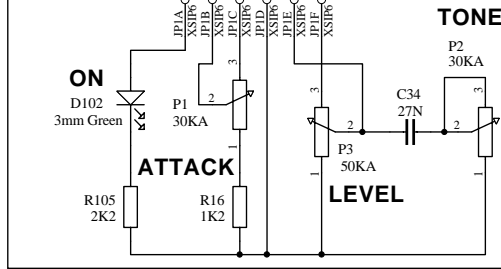
**BYPASS**



Wires used on PCB



**Control-PCB**



**NOBELS ELECTRONICS**

Barnerstrasse 42, 22765 Hamburg, Germany  
<http://www.nobels.com> - email: [info@nobels.com](mailto:info@nobels.com)

Title	<b>Main PCB</b>		
Number:	<b>NOBELS: Fuzz / FU-Z</b>	Size: <b>A4</b>	Rev: <b>2</b>
Date:	<b>4-Feb-2000</b>	Time: <b>17:58:31</b>	Sheet <b>1</b> of <b>1</b>
File:	R:\SPROVEDSIDSGNFU-Z\FU-Z_SM.SCH		