

OUTPUT TRANSFORMER

TURNS RATIO

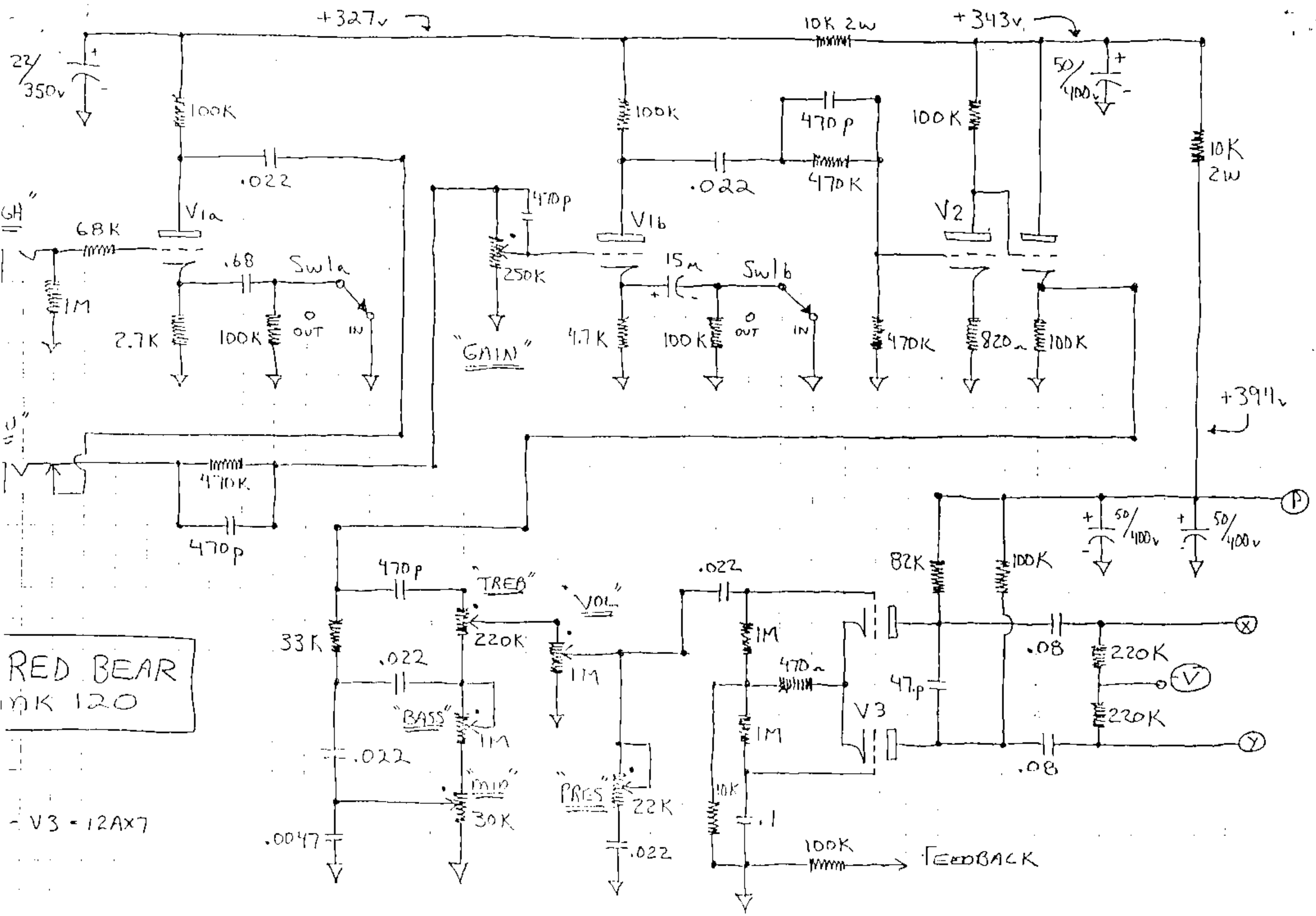
- 10.6 : 1 @ 16n
- 15 : 1 @ 8n
- 21.2 : 1 @ 4n

APPROX. PLATE TO PLATE IMPEDANCE
 ≈ 1,800 n (ALL 4 POWER TUBES)

STANDARD
 POWER HOOKUP

RED BEAR
 MK 120

V4-V7 = 6N3CE 5321



RED BEAR
MK 120

V3 = 12AX7

FEEDBACK

NOTE:

* = 5AMP FUSE IN MK 120 or 4AMP FUSE IN MK 60

+ = 1AMP FUSE IN MK 120 or 1/2AMP FUSE IN MK 60

