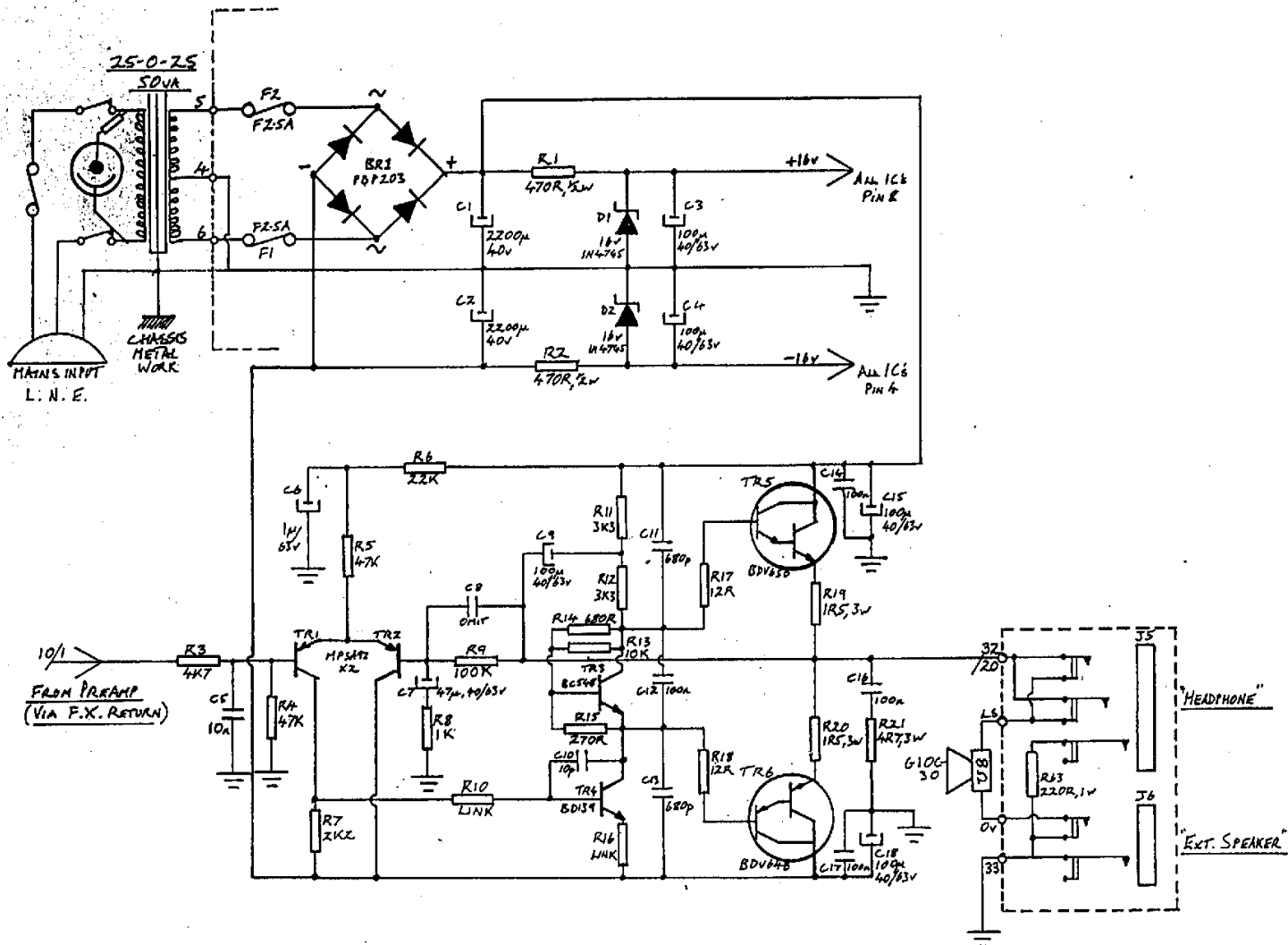
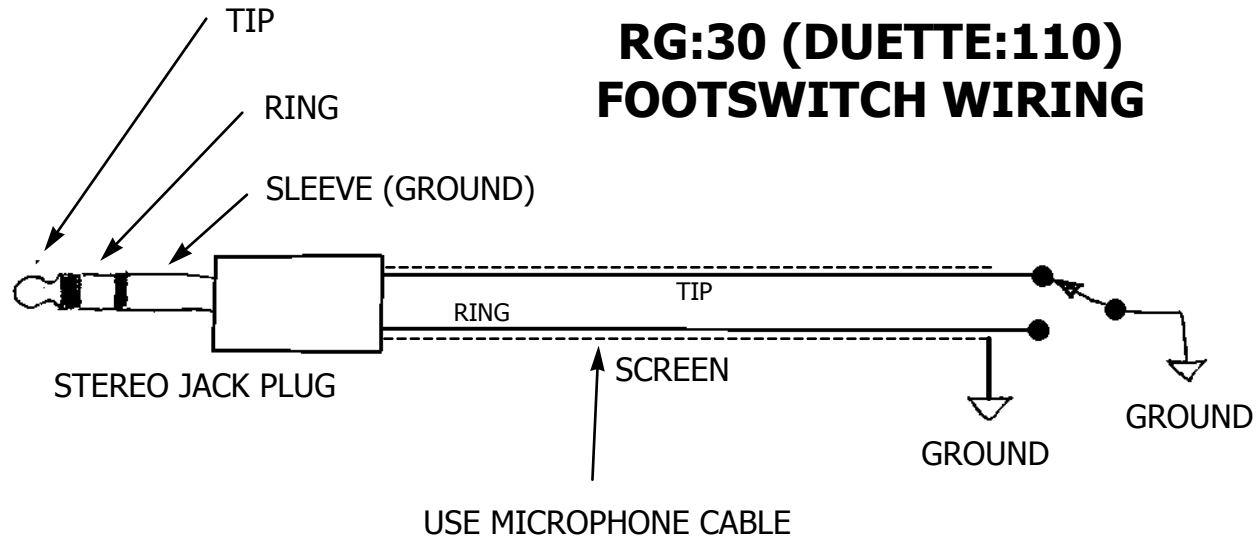


RG30 - PREAMP  
DRG 07013-Z PCB




RG-30 - PSU AND OUTPUT STAGE  
 DRG 07013-2 PCB



ENSURE THAT THE CHANNEL SELECTOR SWITCH ON THE AMPLIFIER IS SET TO THE 'CENTRE' OFF POSITION. OTHERWISE THE FOOTSWITCH WILL NOT WORK AS INTENDED.