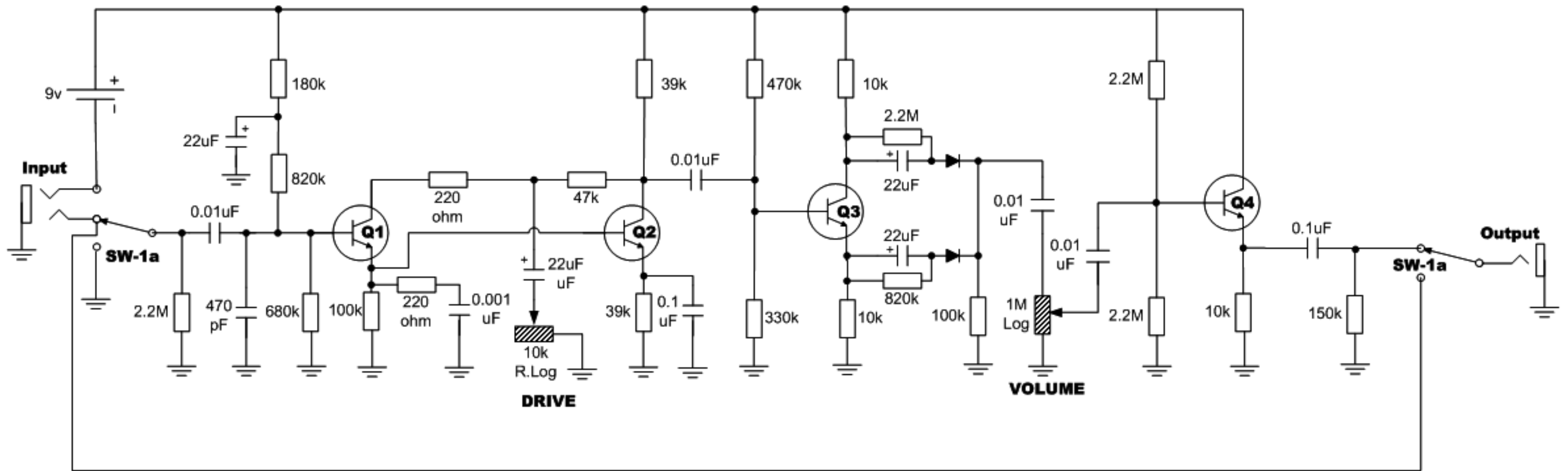


Roger Mayer Octavia



Q1 - 2N3906

Q1, Q2, Q3 - MPSA13

Diodes - 1N4148

Copyright 2006 L.A. Holt All Rights Reserved

www.schematischeaven.com