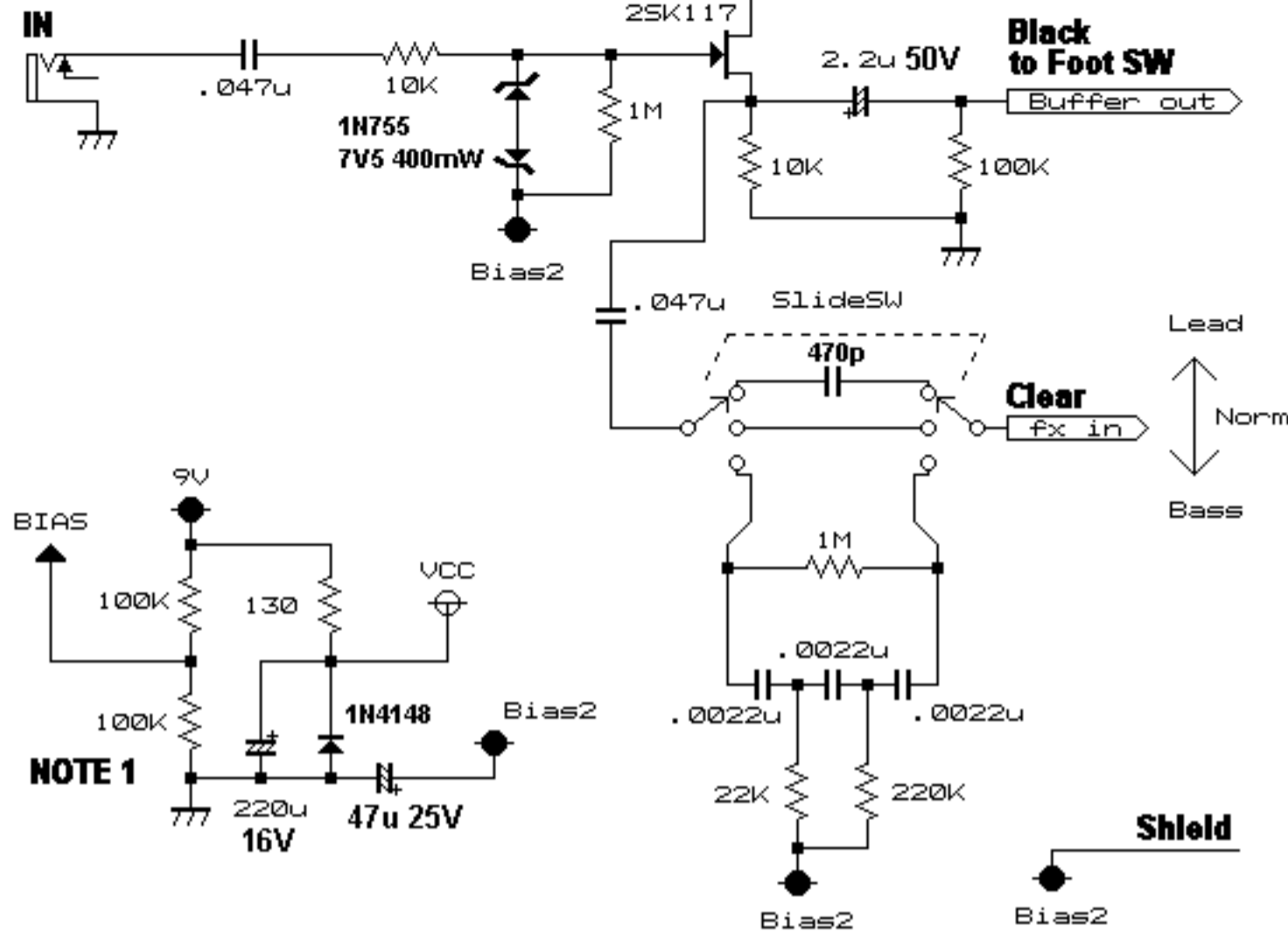
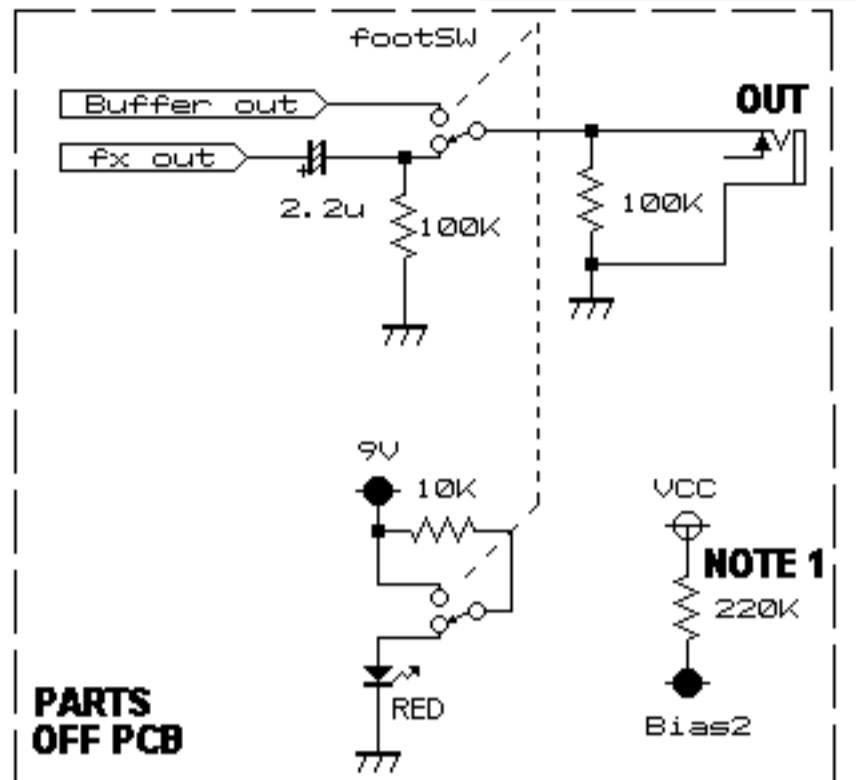


BUFFER PCB

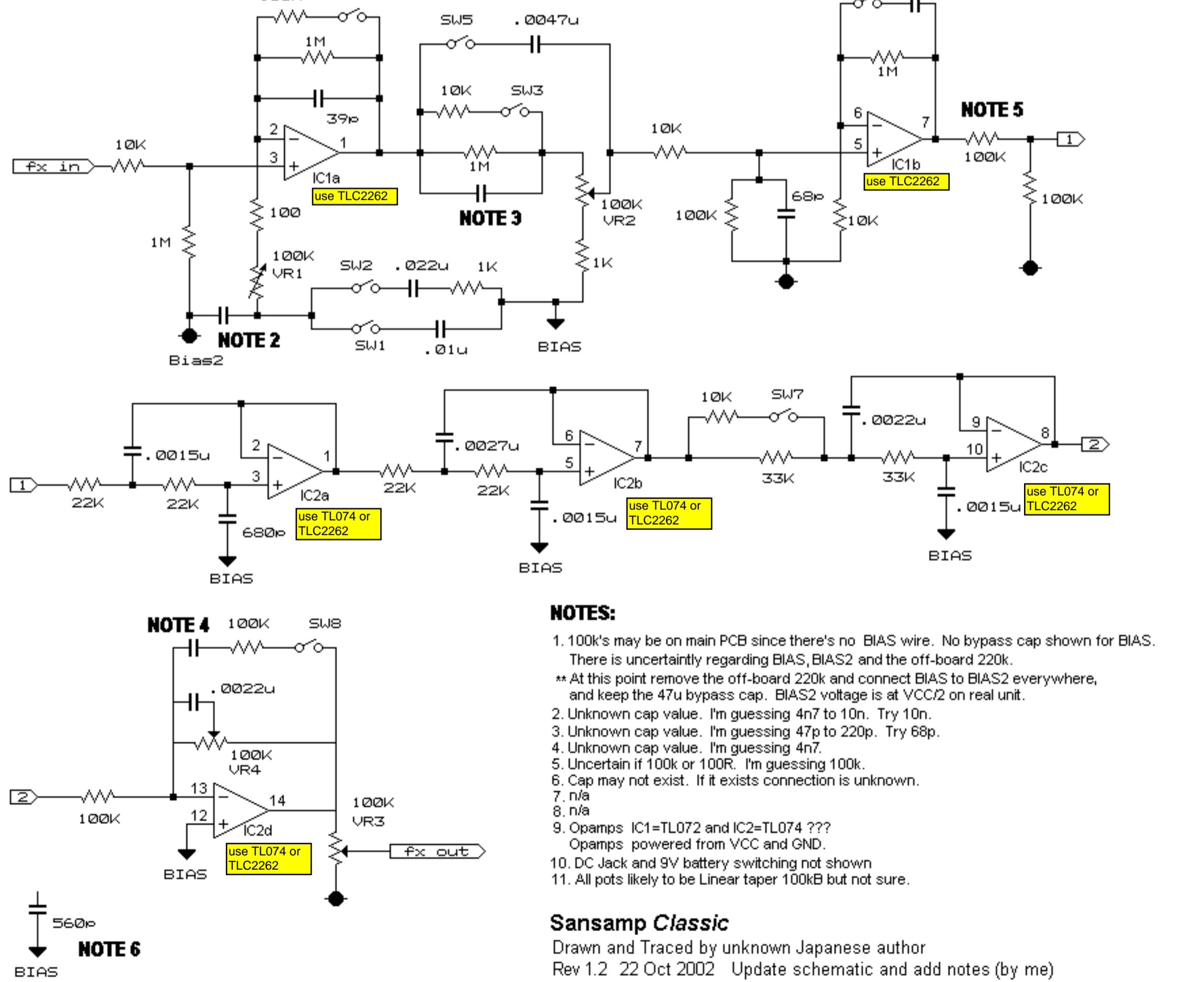


Control
VR1= Presence Drive
VR2= Amplifier Drive
VR3= Output
VR4= High

DipSW
1. Mid-Boost1
2. Mid-Boost2
3. Low Drive
4. CleanAmp
5. BrightSwitch
6. Vintage Tubes
7. Speaker Edge
8. CloseMikins



MAIN PCB



NOTES:

- 100k's may be on main PCB since there's no BIAS wire. No bypass cap shown for BIAS. There is uncertainty regarding BIAS, BIAS2 and the off-board 220k.
- ** At this point remove the off-board 220k and connect BIAS to BIAS2 everywhere, and keep the 47u bypass cap. BIAS2 voltage is at VCC/2 on real unit.
2. Unknown cap value. I'm guessing 4n7 to 10n. Try 10n.
3. Unknown cap value. I'm guessing 47p to 220p. Try 68p.
4. Unknown cap value. I'm guessing 4n7.
5. Uncertain if 100k or 100R. I'm guessing 100k.
6. Cap may not exist. If it exists connection is unknown.
7. n/a
8. n/a
9. Opamps IC1=TL072 and IC2=TL074 ???
Opamps powered from VCC and GND.
10. DC Jack and 9V battery switching not shown
11. All pots likely to be Linear taper 100kΩ but not sure.

Sansamp Classic

Drawn and Traced by unknown Japanese author
Rev 1.2 22 Oct 2002 Update schematic and add notes (by me)