

MC2B

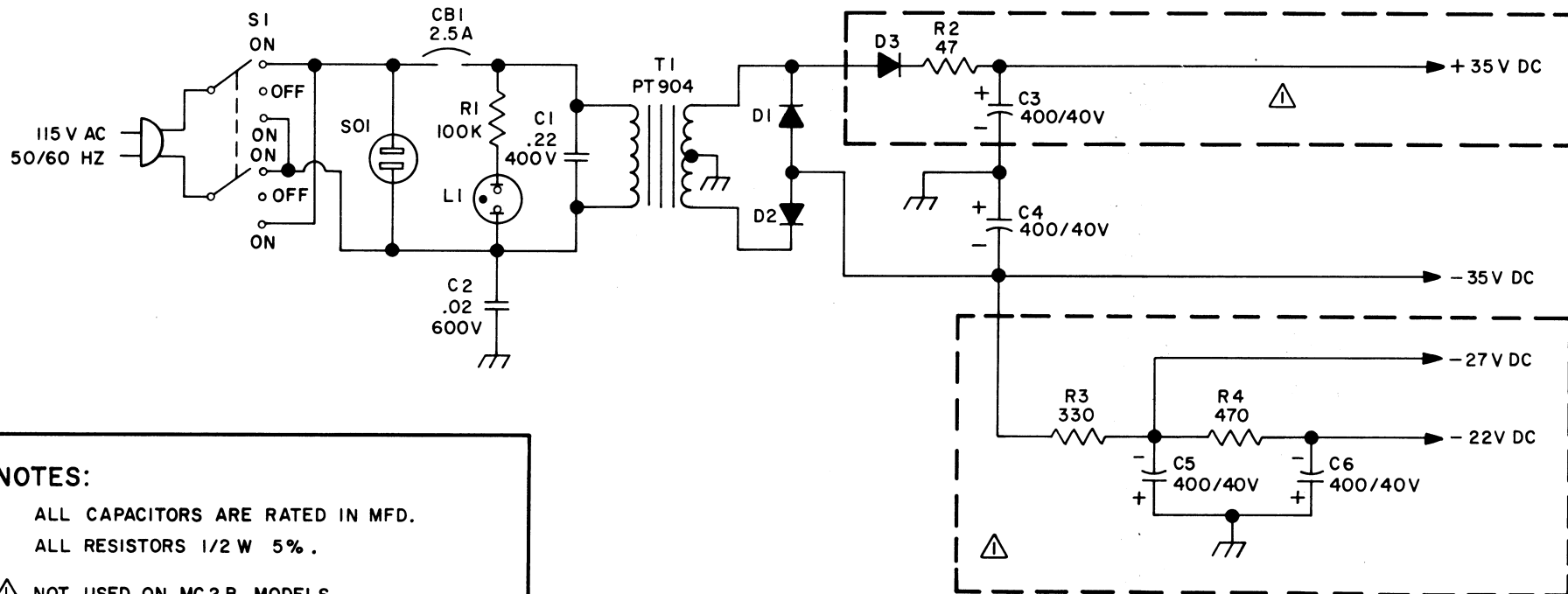
SERVICE INFORMATION

"Quality Speaks for Itself"



EL MONTE • CALIFORNIA • 91731





NOTES:

ALL CAPACITORS ARE RATED IN MFD.

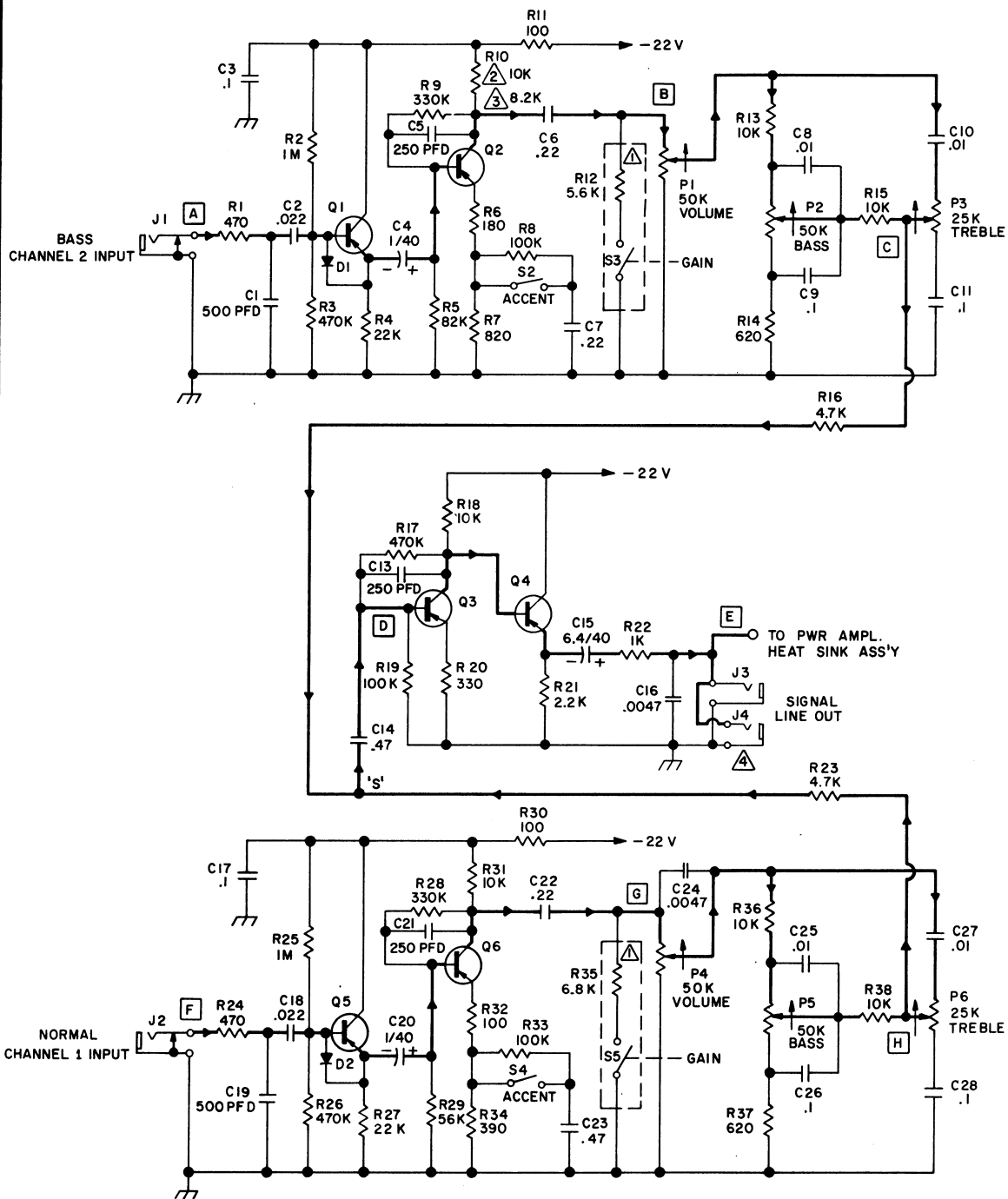
ALL RESISTORS 1/2 W 5% .

⚠ NOT USED ON MC2B MODELS.

Standel[®]

SCHEMATIC DIAGRAM
1970
POWER SUPPLY
MC2G & MC2B MODELS

DRAFTSMAN	CHECKED	APP	DATE	
H.M.M.	M.D.B.	R.G.H	3-18-70	1B002



NOTES:

□ = INDICATES KEY SIGNAL TRACING TEST POINTS.

'S' = CHANNEL 1, CHANNEL 2 SIGNAL SUMMING POINT.

→ INDICATES MAIN SIGNAL PATHS.

P1-P6, S2-S5, J1, J2 ARE LOCATED ON FRONT PANEL AND CONNECT TO BOARD VIA LEAD OUT WIRES.

J3, J4 ARE LOCATED ON REAR PANEL.

ALL CAPACITORS ARE RATED IN MFD AND AT 100V UNLESS NOTED.

⚠ S1, S4, R12, R35 ARE USED ONLY ON CUSTOM AND MC II MODELS.

⚠ VALUES USED ON CUSTOM AND MC II MODELS.

⚠ VALUES USED ON STUDIO MODELS.

ALL RESISTORS 1/2 WATT 5% UNLESS NOTED.

⚠ USED ONLY ON MC II MODEL.

Standel.

SCHMATIC DIAGRAM
MAIN CIRCUIT BOARD
FOR
ALL BASS MODELS