

MC-6

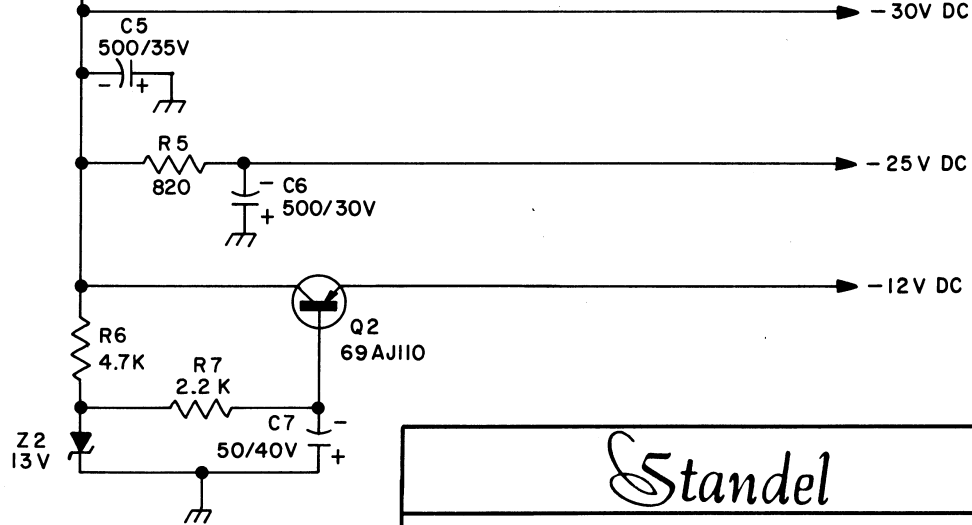
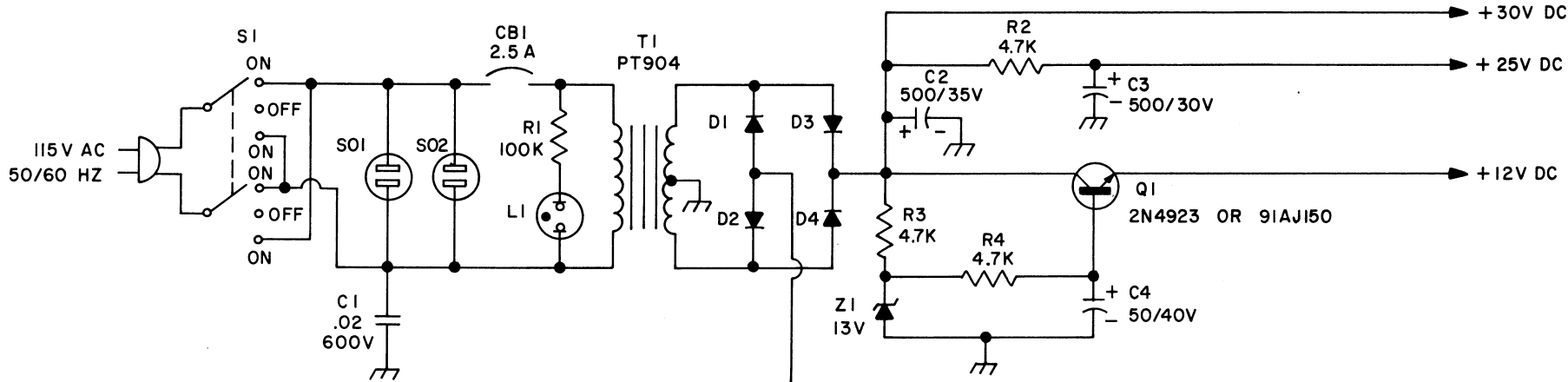
SERVICE INFORMATION

"Quality Speaks for Itself"



EL MONTE • CALIFORNIA • 91731

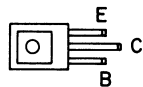




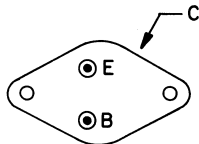
NOTES :

ALL CAPACITORS ARE RATED IN MFD.
ALL RESISTORS 1/2 W 5%.

BOTTOM VIEWS



2N4923

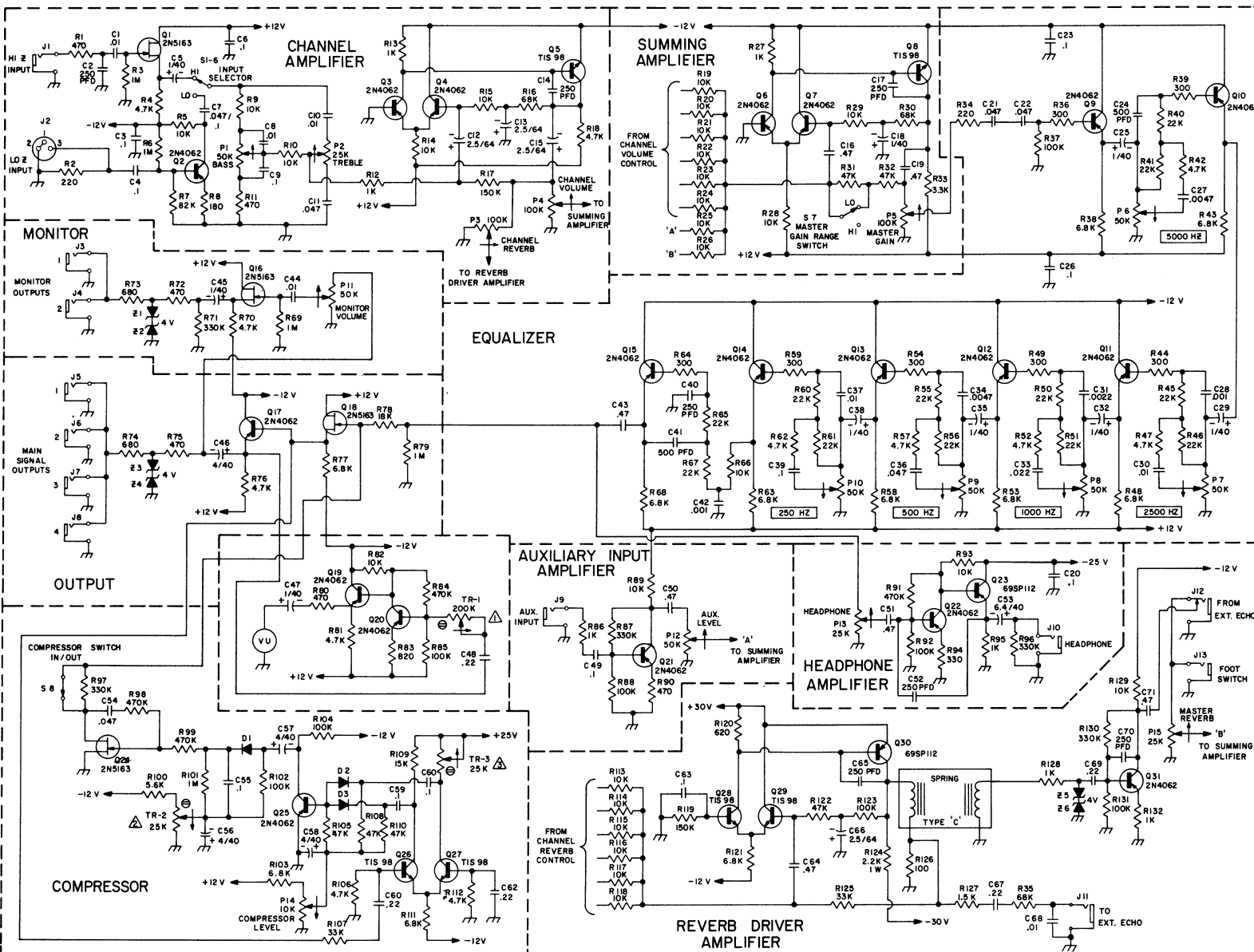


69AJ110 /
91AJ150

Standel

SCHMATIC DIAGRAM
1970
MC-6 POWER SUPPLY

DRAFTSMAN H.M.M.	CHECKED	APP.	DATE 8-10-70	1B003
---------------------	---------	------	-----------------	-------



NOTES :

- ALL CAPACITORS ARE RATED IN MFD AND AT 100V UNLESS NOTED.
- ALL RESISTORS 1/2 W 5% UNLESS NOTED.
- SIX IDENTICAL CHANNEL AMPLIFIERS USED.

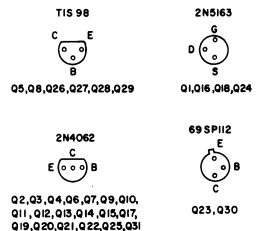
⊖ INDICATES SCREW DRIVER ADJUST.

⚠ ADJUST TR-1 (V.U. ADJUST) FOR ZERO V.U. JUST BEFORE CLIPPING OF POWER AMPLIFIER. (APPROX. .5V R.M.S.).

⚠ ADJUST TR-2 (F.E.T. ADJUST) JUST TO THE POINT WHERE F.E.T. RESISTANCE STARTS TO DECREASE AS INDICATED BY A SLIGHT DROP IN OUTPUT WITH COMPRESSOR SWITCH IN AND COMPRESSOR LEVEL CONTROL OFF IN .5V R.M.S. OUTPUT.

⚠ ADJUST TR-3 (BALANCE) FOR EXACTLY EQUAL HALF WAVES AT BASE OF Q25.

BOTTOM VIEWS



Standel

SCHEMATIC DIAGRAM
1970
MC-6
(EXCLUSIVE OF POWER SUPPLY)

DRAFTSMAN CHECKED APP. DATE
H.M.M. 8-3-70 1D018