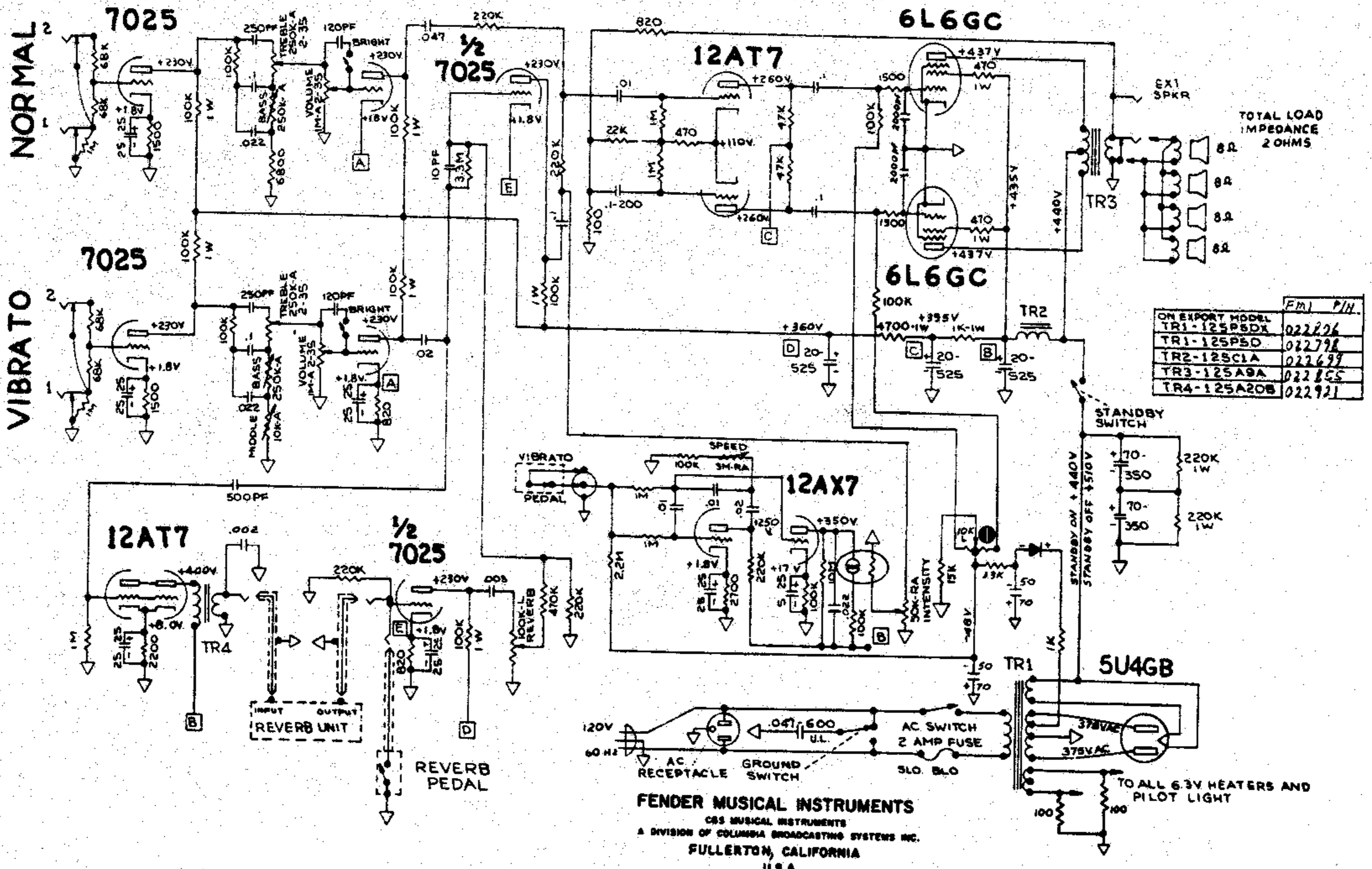


MODEL SUPER-REVERB-AMP AA270 SCHEMATIC NOTICE

THIS PRODUCT MANUFACTURED UNDER ONE OR MORE OF THE FOLLOWING U.S. PATENTS: CIRCUIT PATENT #2817708, #2973681 DESIGN PATENT #192859 PATENTS PENDING

- 1 - VOLTAGES READ TO GROUND WITH ELECTRONIC VOLTMETER
- 2 - ALL RESISTORS 1/2 WATT 10% TOLERANCE IF NOT SPECIFIED
- 3 - ALL CAPACITORS AT LEAST 400 VOLT RATING IF NOT SPECIFIED
- 4 - ALL VOLTAGES READ WITH VIBRATO PEDAL GROUNDING AND NO INPUT SIGNAL



ON EXPORT MODEL	F.M.I. P.N.
TR1-125P5DA	022226
TR2-125P5D	022798
TR3-125A9A	022697
TR4-125A20B	022855

FENDER MUSICAL INSTRUMENTS
 CBS MUSICAL INSTRUMENTS
 A DIVISION OF COLUMBIA BROADCASTING SYSTEMS INC.
 FULLERTON, CALIFORNIA
 U.S.A.

DRAWN F.T. 10-13-69	CHK'D BY S. J. 10-13-69	DWG. TITLE SCHEMATIC & WIRING DIAGRAM SUPER REVERB-AMP
E INCORPORATED ECO 2053 2-18-70	D INCORPORATED ECO 1489 10-13-69	SIZE D
C INCORPORATED ECO 1428 11-1-69	B INCORPORATED ECO 1048 5-28-69	DWG. NO. 047746
REVISIONS		REV. E
SCALE NONE		MODEL TUBE TYPE SUPER REVERB AMP
		SHEET 1 OF 2

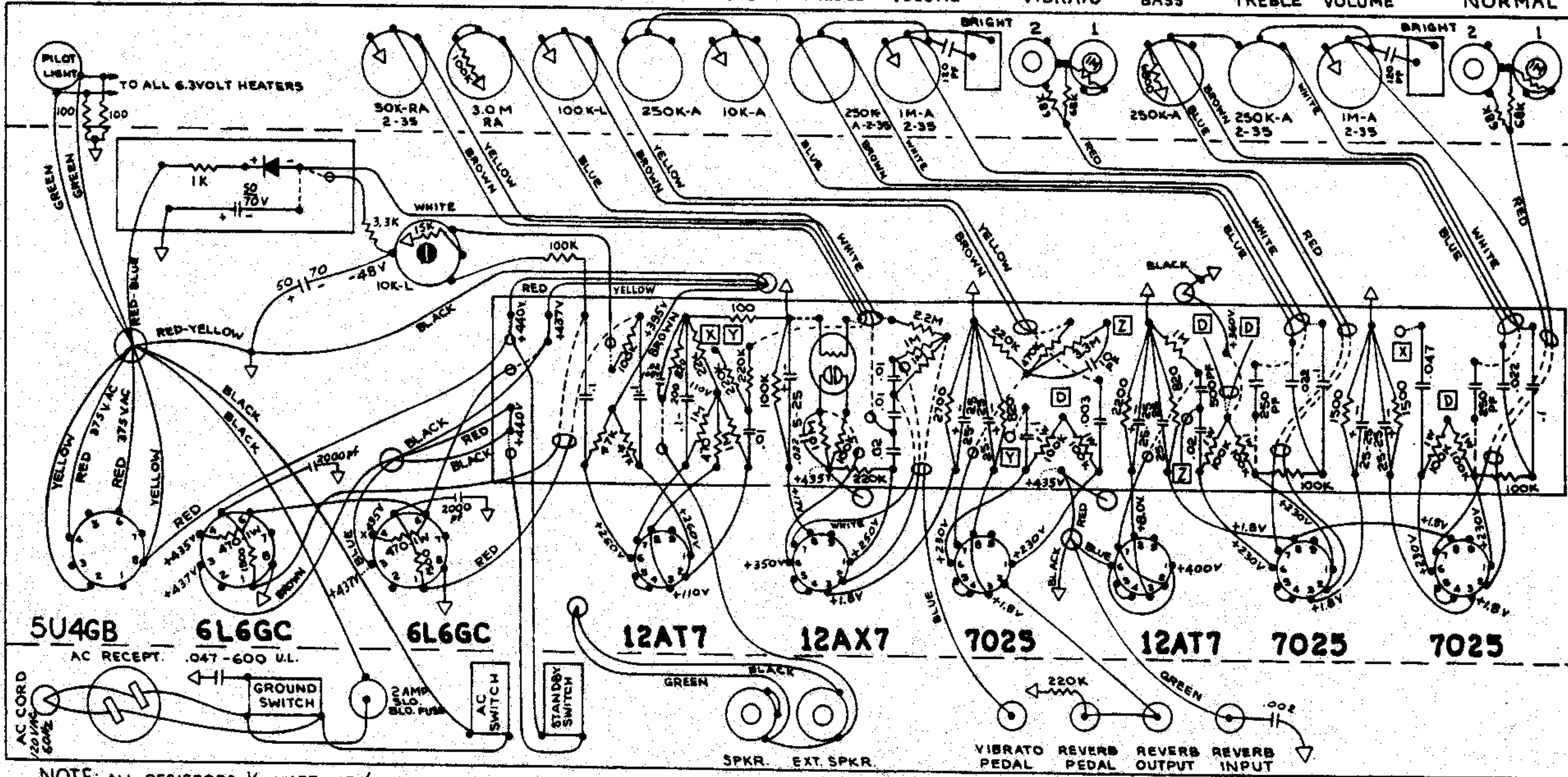
AMPLIFIER TT

FENDER "SUPER REVERB-AMP AA270" LAYOUT

NOTICE

VOLTAGES READ TO GROUND WITH ELECTRONIC VOLTMETER WITH VIBRATO-GROUNDED, NO INPUT SIGNAL.

INTENSITY SPEED REVERB BASS MIDDLE TREBLE VOLUME VIBRATO BASS TREBLE VOLUME NORMAL



NOTE: ALL RESISTORS 1/2 WATT 10% TOLERANCE, IF NOT SPECIFIED.

NOTE: ALL CAPACITORS AT LEAST 600 VOLT RATING IF NOT SPECIFIED.

FENDER MUSICAL INSTRUMENTS

CBS MUSICAL INSTRUMENTS
A DIVISION OF COLUMBIA BROADCASTING SYSTEMS INC.
FULLERTON, CALIFORNIA
U.S.A.

DRAWN F 10-13-69
APPROVED [Signature] 10-14-69

DWG. TITLE
SCHEMATIC & WIRING DIAGRAM
SUPER REVERB-AMP

REVISIONS	DESCRIPTION	DATE	BY	SIZE	DWG. NO.	REV
E	INCORPORATED ECO 2053	2-18-70	[Signature]		047746	E
D	INCORPORATED ECO 1689	10-14-69	[Signature]			
C	INCORPORATED ECO 1418	4-9-69	[Signature]			
B	INCORPORATED ECO 1170	5-29-69	[Signature]			
A	ORIGINAL	10-13-69	[Signature]			

SCALE NONE MODEL TUBE TYPE SUPER REVERB AMP SHEET 2 OF 2

AMPLIFIER T T