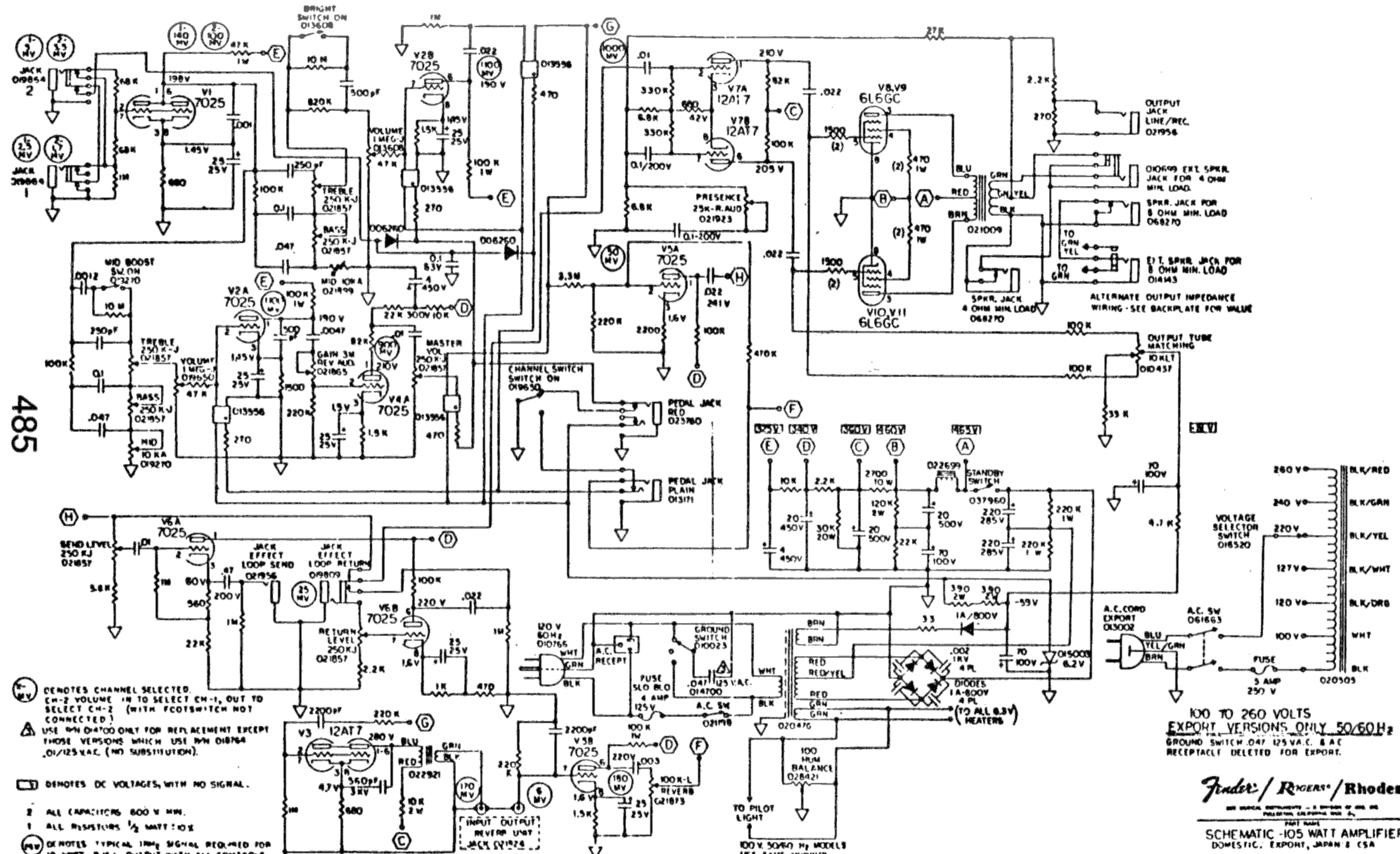


FENDER TWIN REVERB II AMPLIFIER

(215500, 215501, 215502, 215508)



485

- Ⓜ DENOTES CHANNEL SELECTED. CH-2 VOLUME IN TO SELECT CH-1, OUT TO SELECT CH-2 (WITH FOOTSWITCH NOT CONNECTED)
- ⚠ USE ONLY 014700 ONLY FOR REPLACEMENT EXCEPT THOSE VERSIONS WHICH USE 014700A (NO SUBSTITUTION).
- Ⓛ DENOTES DC VOLTAGES, WITH NO SIGNAL.
- Ⓜ ALL CAPACITORS 500 V MIN.
- Ⓜ ALL RESISTORS 1/2 WATT ±0.5%
- Ⓜ DENOTES TYPICAL 100mV SIGNAL REQUIRED FOR 10 WATT RMS OUTPUT WITH ALL CONTROLS MAX GAIN MIN BOOST OFF AND DUMMY PLUG INSERTED INTO INPUT JACK #1 OR JACK #2 (GAIN MAX INCREASES SENSITIVITY OF CHANNEL #222346)

CAUTION: 300 VOLTS AVAILABLE - DISCONNECT POWER SUPPLY AND ALLOW AT LEAST 30 SEC. FOR VOLTAGES TO BLEED OFF BEFORE SERVICING AMPLIFIER.

100 TO 260 VOLTS
EXPORT VERSIONS ONLY 50/60 Hz
GROUND SWITCH 047 125 V.A.C. & A.C. RECEPTACLE DELETED FOR EXPORT.

Fender / RYKERS® / Rhodes

SEE ORIGINAL INSTRUMENTS - A DIVISION OF THE FENDER CORPORATION, CALIFORNIA, U.S.A.

PART NAME
SCHEMATIC - 105 WATT AMPLIFIER
DOMESTIC, EXPORT, JAPAN & CSA

REV. 1	DATE	PART NO.	REV.
1	10/1/68	020905	1

Part #021478

Footswitch for Fender '83 Concert, Twin Reverb II

Red Jack

Tip: -6.2Vdc
Ring: Hi Gain
Shield: Gnd

Plain Jack

Tip: Clean
Ring: Reverb
Shield: Gnd

