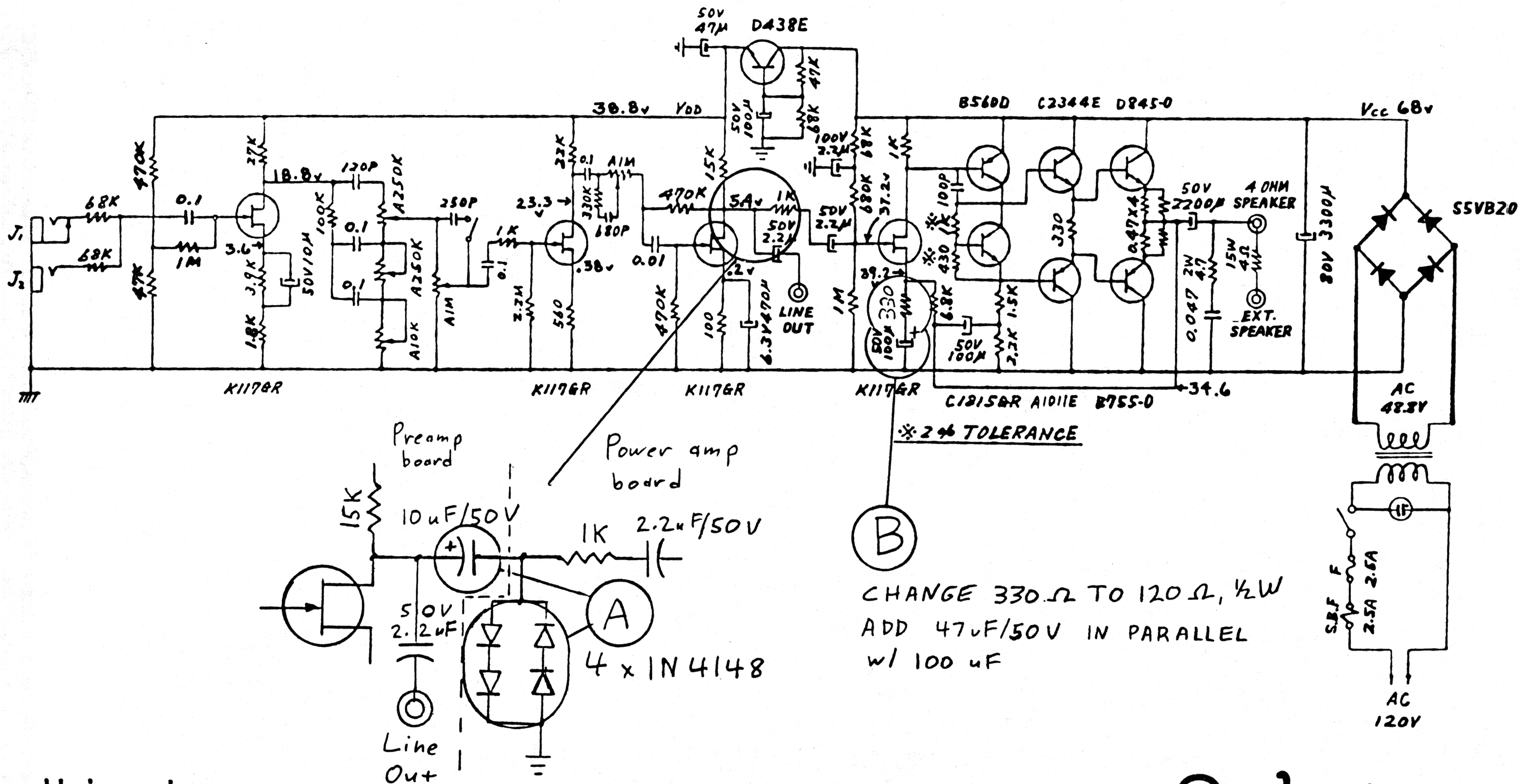


NOTE — THE "FET" DRAIN VOLTAGE WILL VARY $\pm 20\%$ AND STILL MAINTAIN PROPER OPERATING CONDITIONS OF GAIN AND LOW DISTORTION. ALL READINGS ARE +VDC UNLESS OTHERWISE SPECIFIED.

NOTE — ALL VOLTAGE READINGS TAKEN WITH BK 283 — $3\frac{1}{2}$ DIGIT MULTI-METER. A.C. LINE +120V. 60 HZ. ALL CONTROLS "0"



Unicord.
a Division of Gulf Western Manufacturing Company
69 Post Street, Westbury, NY 11590

Westbury
Model 1005 Bass Amplifier