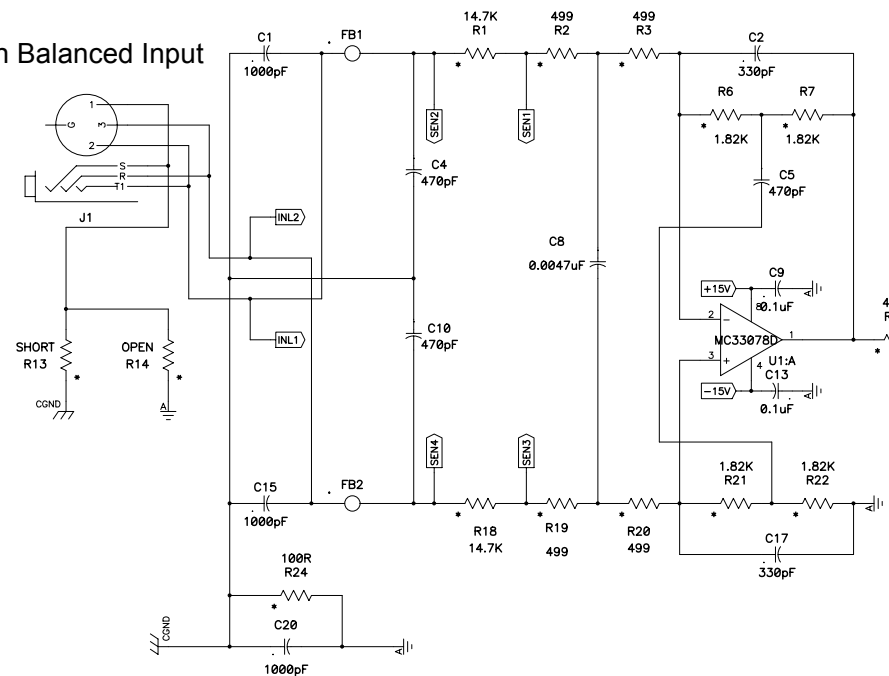
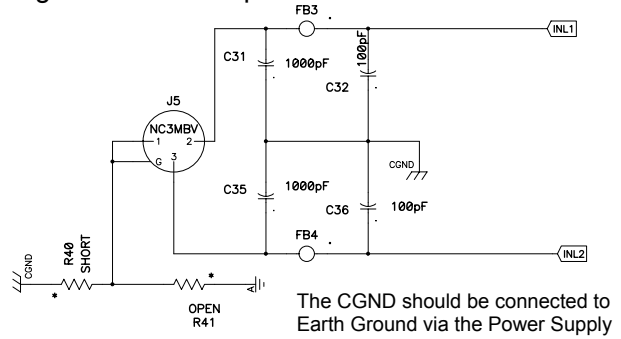


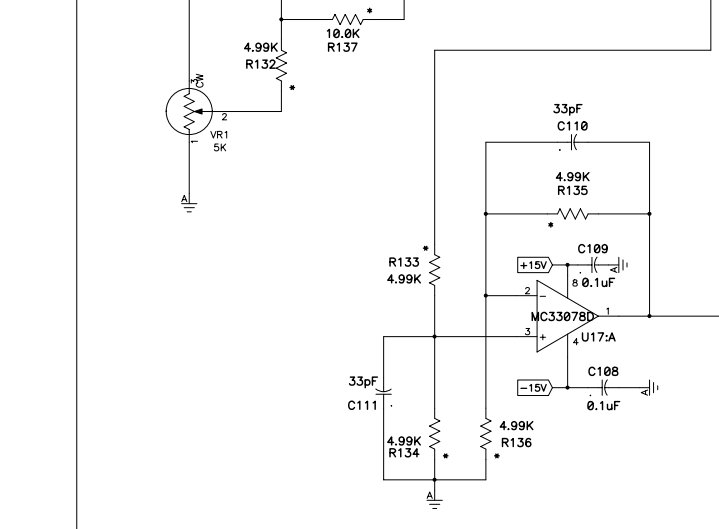
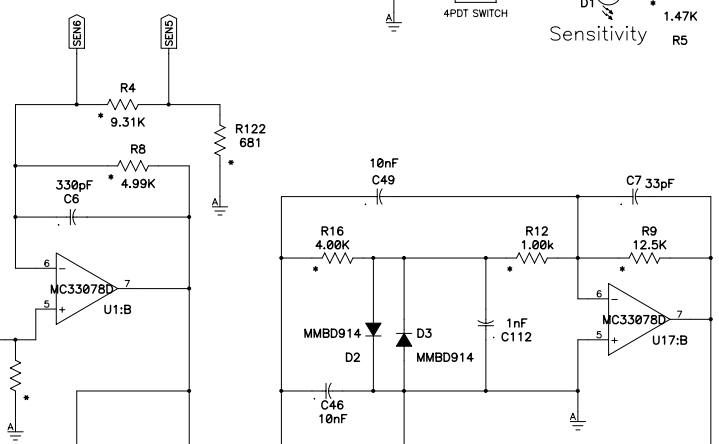
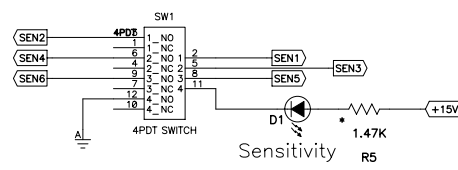
Main Balanced Input



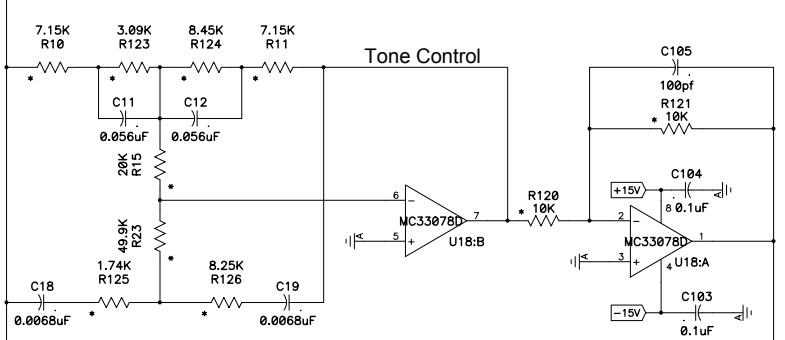
Through Balanced Output



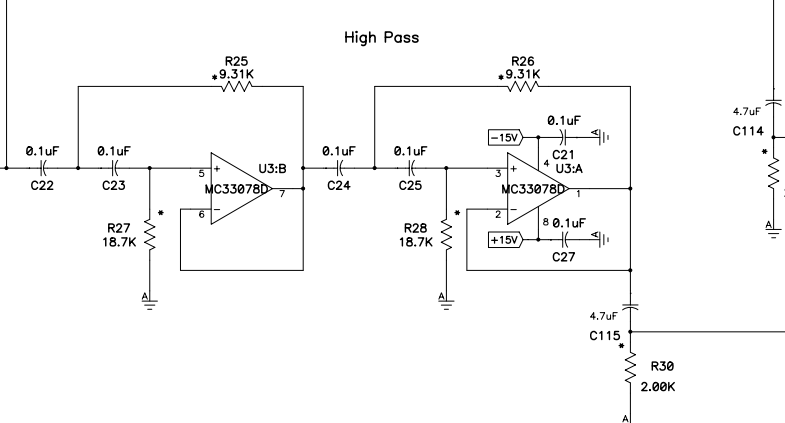
Sensitivity Switch



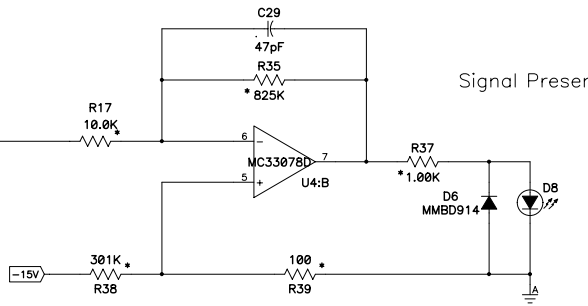
Tone Control



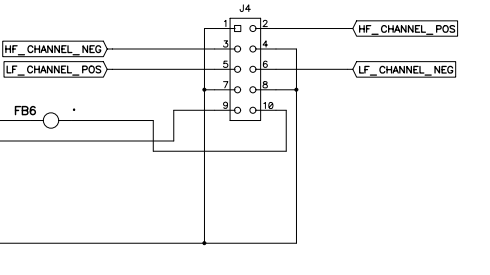
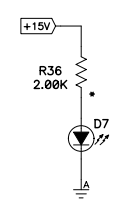
High Pass



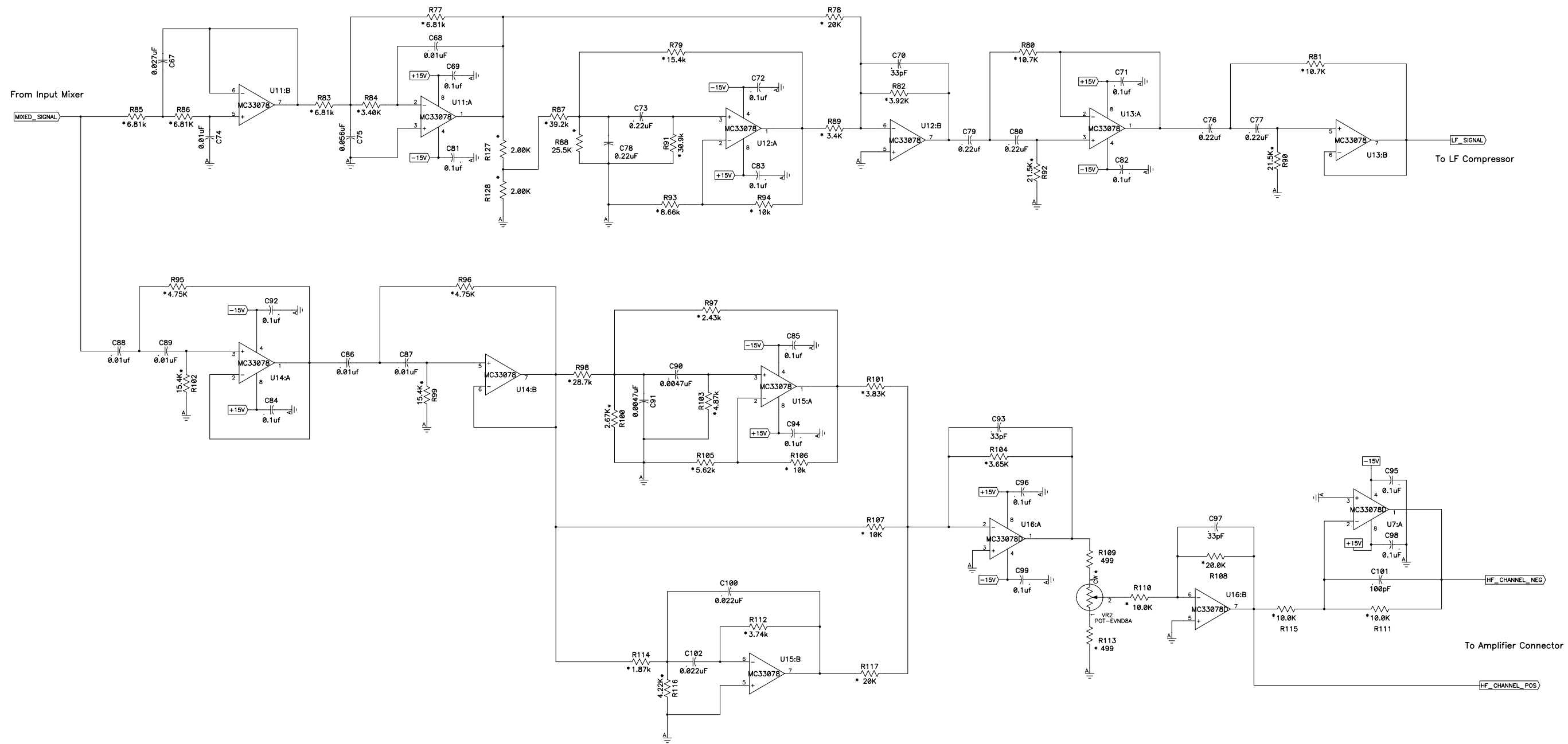
Signal Present



Power



JBL Professional			
Title		EON 315	
Size	Page	I/O_MIXER	Rev
D			B
Date	May 11, 2008	Engineer	CMouzakis/SPL
Filename	EON 315 Analog RevB[1].sch	Sheet	1 of 3



JBL Professional			
Title EON 315			
Size D	Page DRIVERS_EQ	Rev B	
Date May 11, 2008	Engineer CMouzakis/SPL		
Filename EON 315 Analog RevB[1].sch	Sheet 3	of 3	