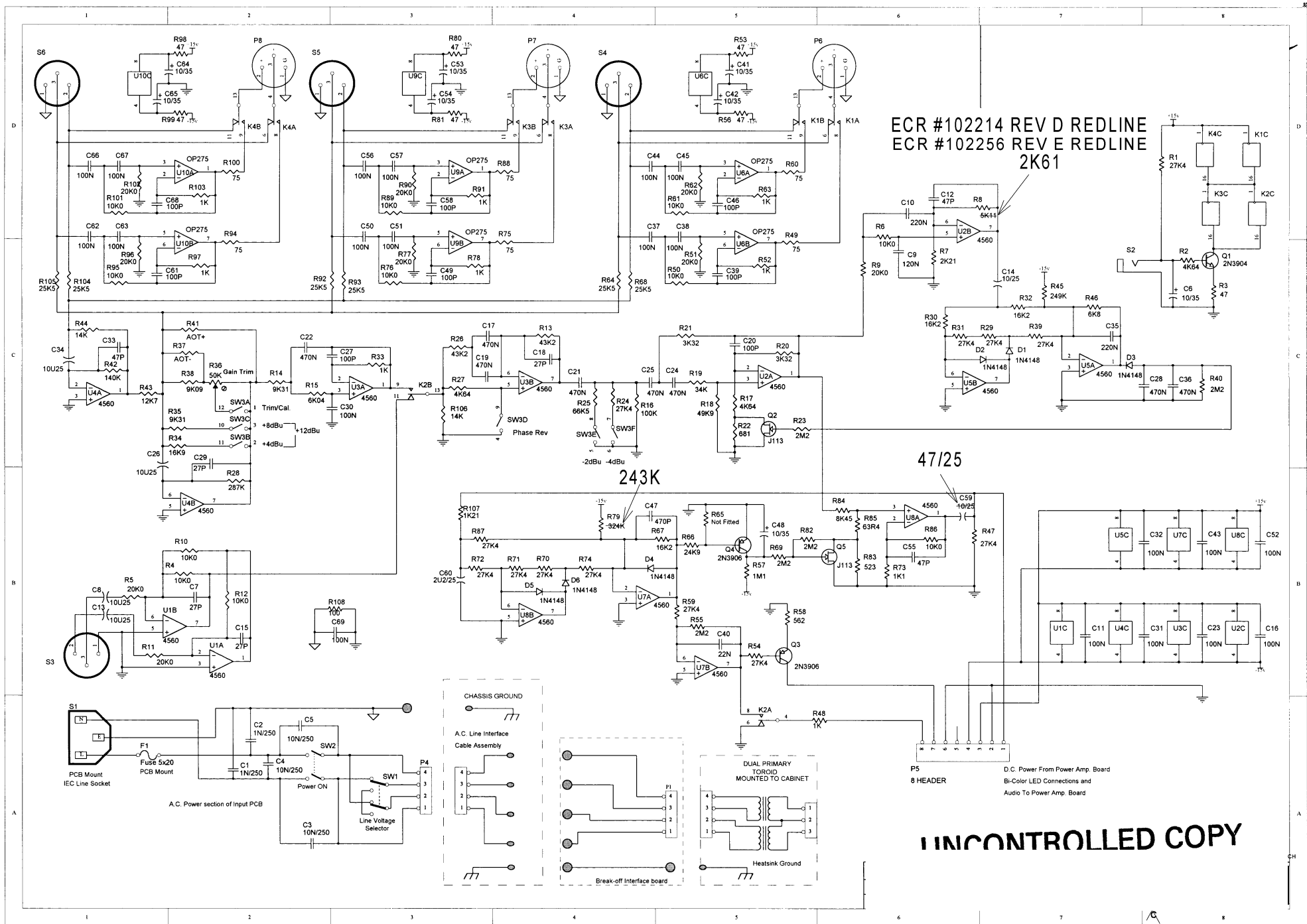


2. U1 : NJM 4560D
 1. THE SCHEMATIC CORRESPONDS TO RAW PCB 510-00032-00

UNCONTROLLED COPY

NOTES: (UNLESS OTHERWISE SPECIFIED)



ECR #102214 REV D REDLINE
 ECR #102256 REV E REDLINE
 2K61

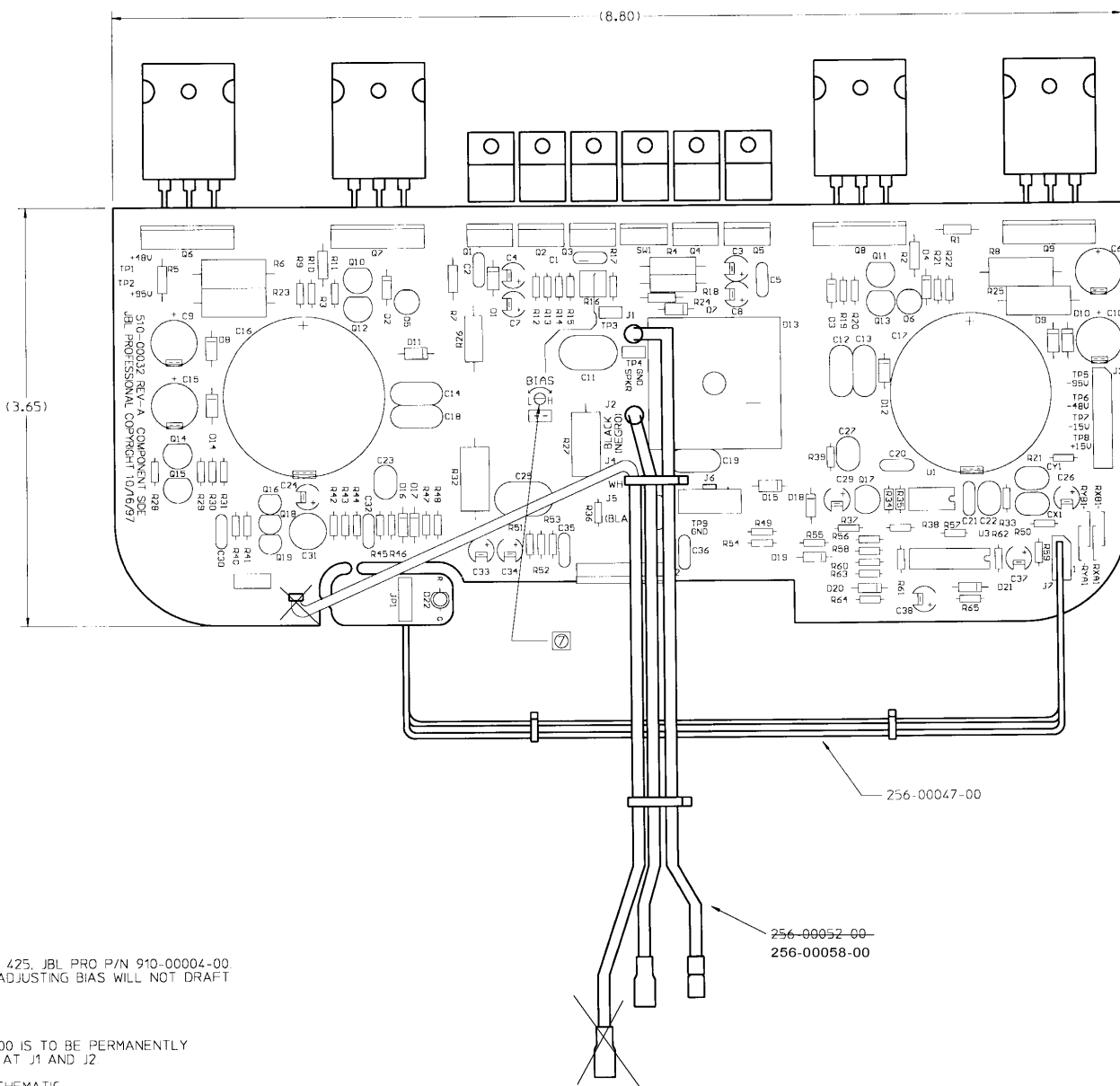
47/25

243K

UNCONTROLLED COPY

ALL DIMENSIONS AND SPECIFICATIONS ARE THE PROPERTY OF JBL, INCORPORATED. THEY ARE TO BE KEPT IN STRICT CONFIDENCE AND SHALL NOT BE REPRODUCED, COPIED, OR USED IN ANY MANNER WITHOUT THE WRITTEN PERMISSION OF JBL PROFESSIONAL COPYRIGHT 10/16/87

NO	DESCRIPTION
032-00	MAIN BOARD ASSY, LSR12P



USE 0.00005 GRAMS OF LOCTITE 425, JBL PRO P/N 910-00004-00 OR EQUIVALENT ON R17 AFTER ADJUSTING BIAS WILL NOT DRAFT WITH VIBRATION

NONE
WIRE ASSEMBLY P/N 256-00052-00 IS TO BE PERMANENTLY ATTACHED TO THE MAIN BOARD AT J1 AND J2

SEE DWG 500-00040 FOR THE SCHEMATIC.
SEE DOCUMENT 900-00021 FOR THE BILL OF MAT'L.

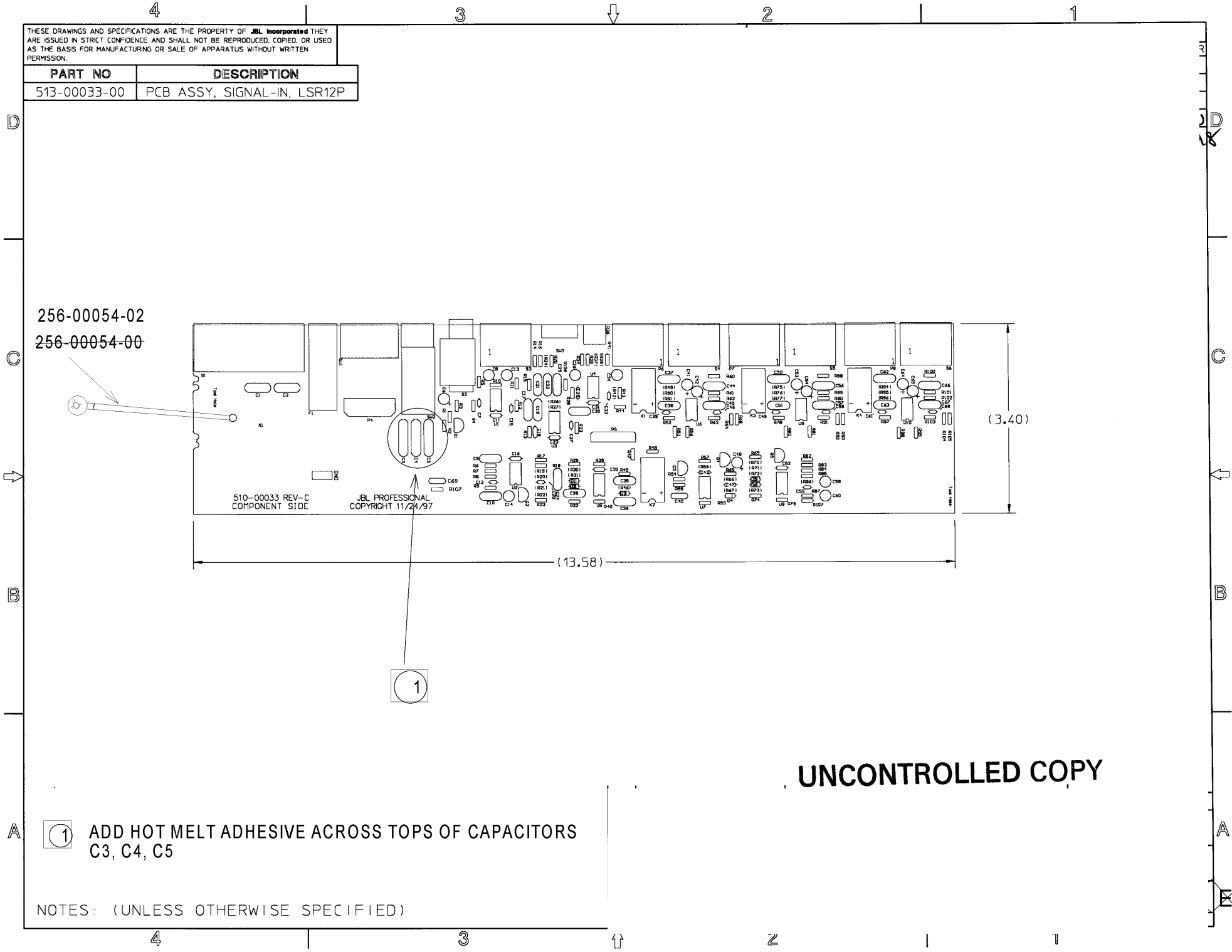
NOTES: (UNLESS OTHERWISE SPECIFIED)

UNCONTROLLED COPY

[Handwritten signature]

THESE DRAWINGS AND SPECIFICATIONS ARE THE PROPERTY OF JBL Incorporated THEY ARE ISSUED IN STRICT CONFIDENCE AND SHALL NOT BE REPRODUCED, COPIED, OR USED AS THE BASIS FOR MANUFACTURING OR SALE OF APPARATUS WITHOUT WRITTEN PERMISSION.

PART NO	DESCRIPTION
513-00033-00	PCB ASSY, SIGNAL-IN, LSR12P



510-00033 REV-C
COMPONENT SIDE

JBL PROFESSIONAL
COPYRIGHT 11/24/97

UNCONTROLLED COPY

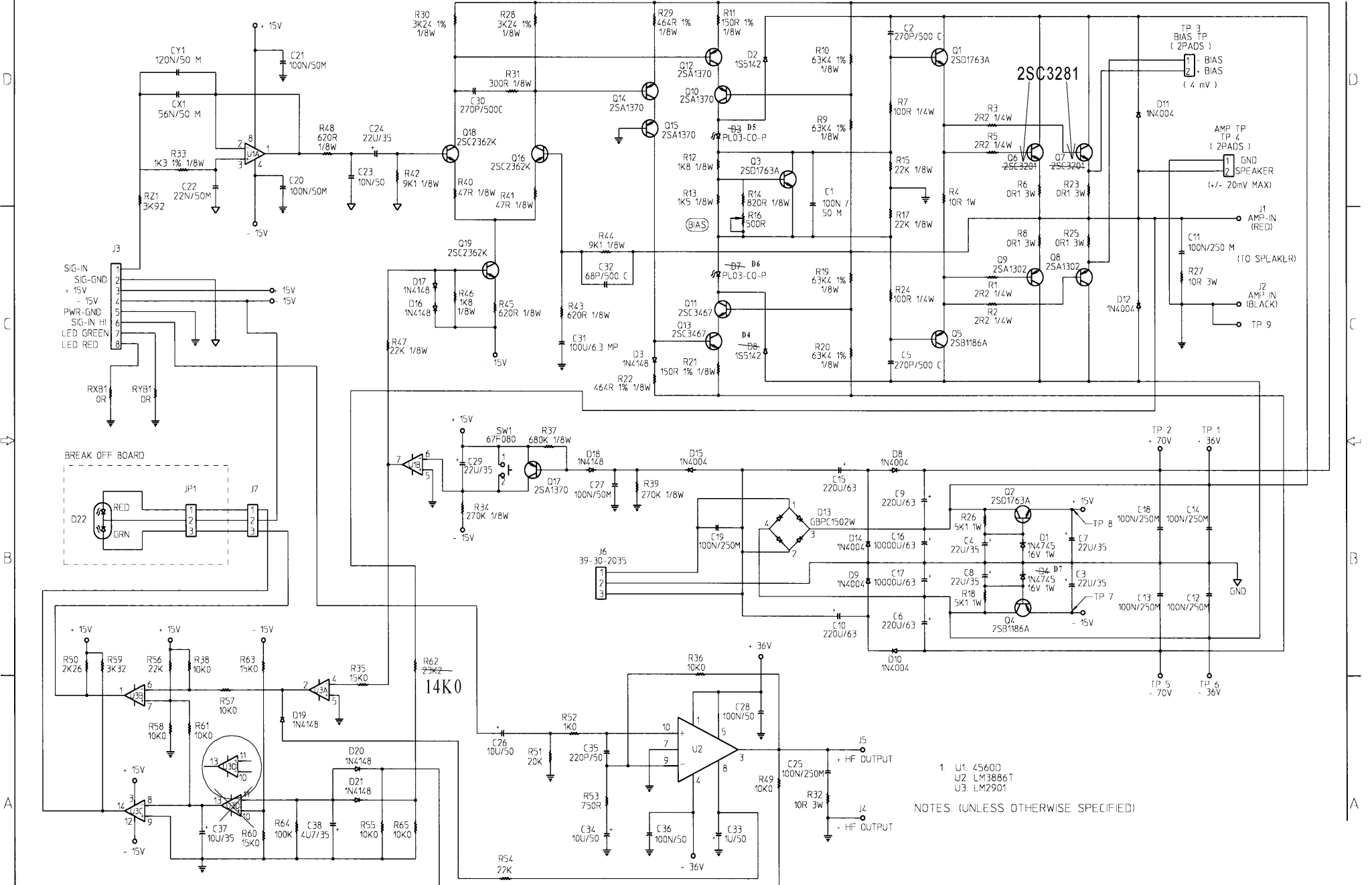
1 ADD HOT MELT ADHESIVE ACROSS TOPS OF CAPACITORS C3, C4, C5

NOTES: (UNLESS OTHERWISE SPECIFIED)

THESE DRAWINGS AND SPECIFICATIONS ARE THE PROPERTY OF JBL. INCORPORATED THEY ARE ISSUED IN STRICT CONFIDENCE AND SHALL NOT BE REPRODUCED, COPIED, OR USED AS THE BASIS FOR MANUFACTURING OR SALE OF APPARATUS WITHOUT WRITTEN PERMISSION.

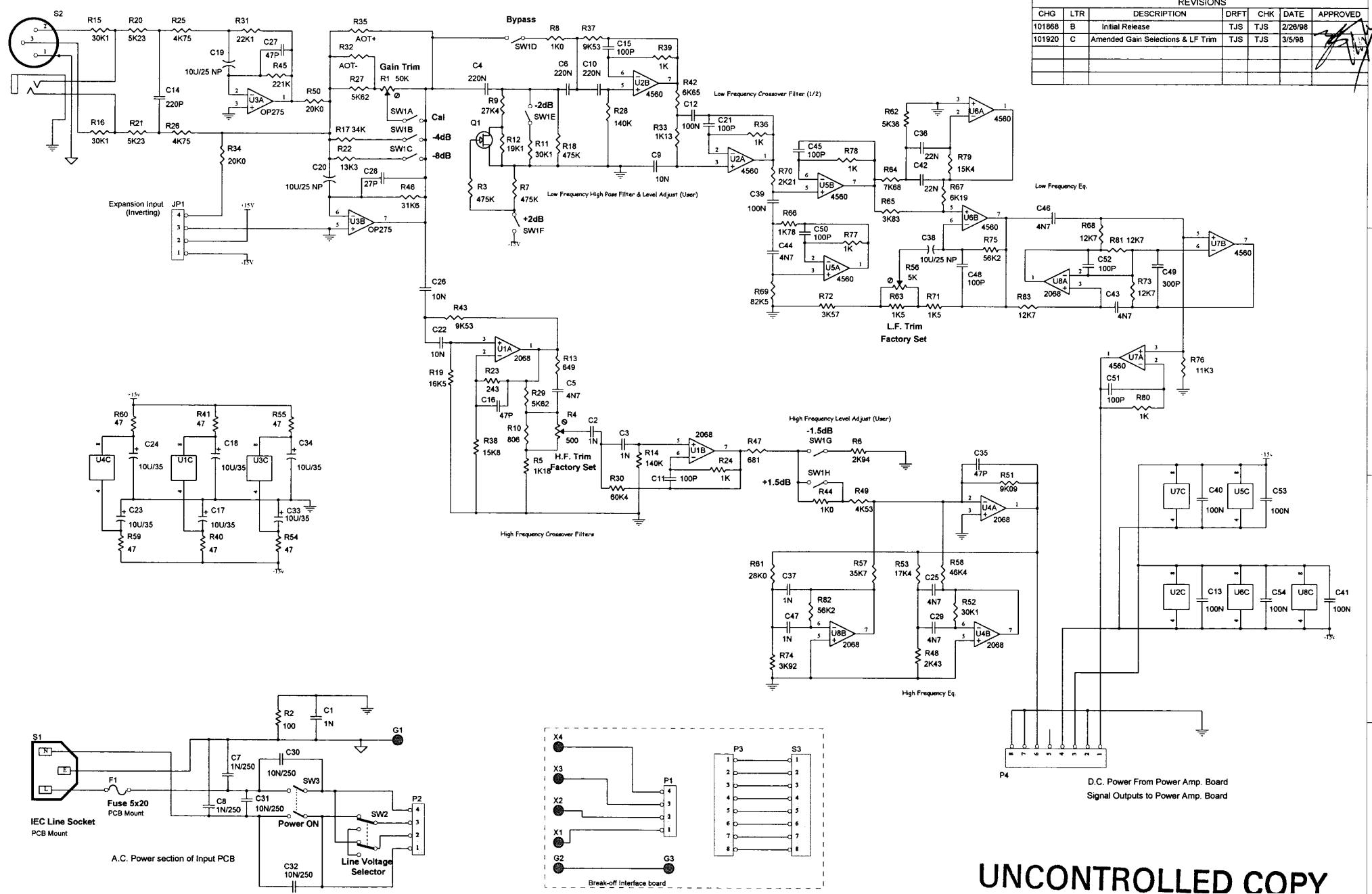
UNCONTROLLED COPY

REVISIONS						
CHG	LTR	DESCRIPTION	DRFT	CHK	DATE	BY
1016	A	RELEASE FOR PRODUCTION	YUKI		9/27/90	



- 1 U1: 45600
 - U2: LM3886T
 - U3: LM2901
- NOTES: (UNLESS OTHERWISE SPECIFIED)

REVISIONS						
CHG	LTR	DESCRIPTION	DRFT	CHK	DATE	APPROVED
101868	B	Initial Release	TJS	TJS	2/26/98	
101920	C	Amended Gain Selections & LF Trim	TJS	TJS	3/5/98	



UNCONTROLLED COPY