

Technical Manual

JBL M350



SPECIFICATIONS

ACOUSTIC & ELECTRICAL SPECIFICATIONS:

- Nominal Impedance: 8 ohms
- Crossover Network: Pure Titanium Diaphragm NM350

PHYSICAL SPECIFICATIONS:

- Enclosure Dimensions: 900 x 520 x 430 (D) mm
35,4 x 20,5 x 16,9 (D) Inch
- Shipping Weight: 45 Kg
100,6 lbs

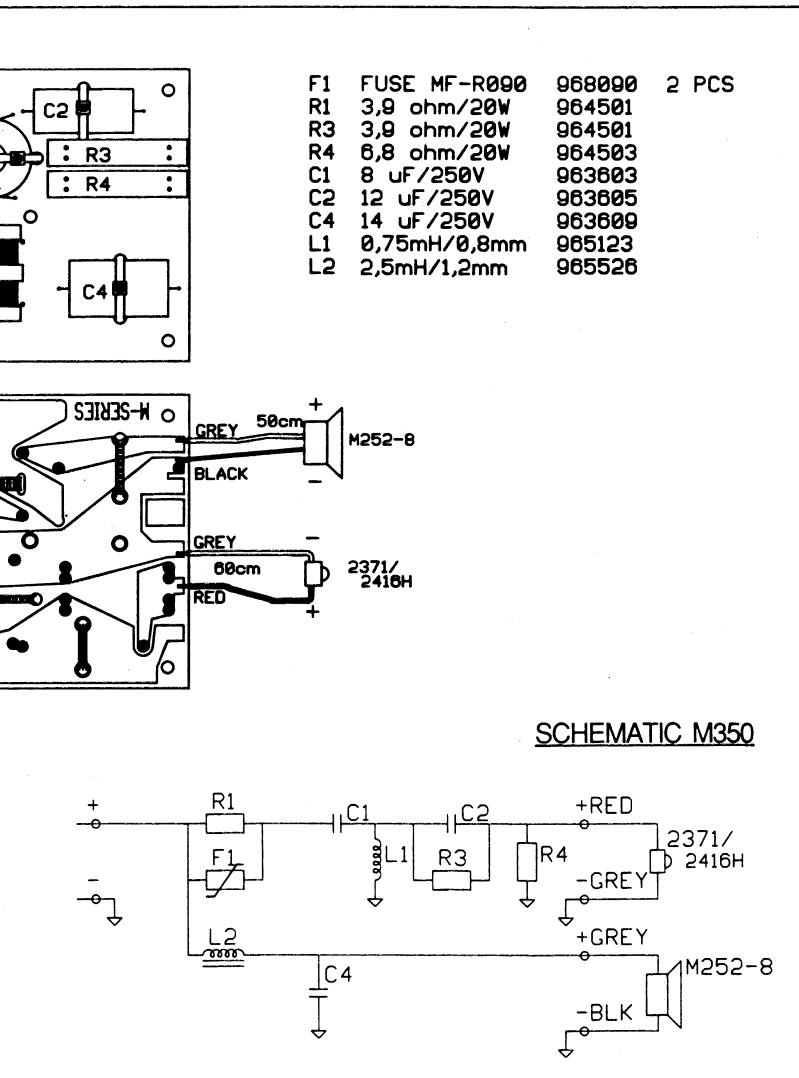
SYSTEM COMPONENTS: (cont'd)

- High Frequency Transducer: 25 mm (1 Inch)
- Power Rating: 350 Watts IE
- Frequency Response: (-10 dB) 32 Hz - 18 KHz
- Sensitivity: 99 dB*
- Crossover Frequency: 1100 Hz

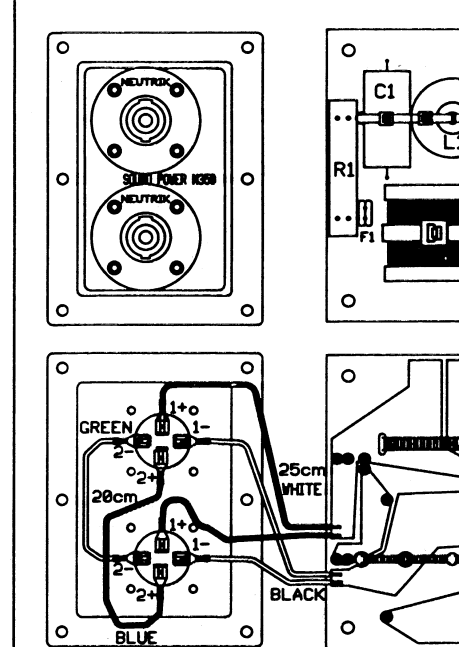
SYSTEM COMPONENTS:

- Cabinets: CM350
- Grille: GM350
- Low Frequency Transducer: 380 mm (15 Inch) CONE

*1 Watt (2,83 V RMS) @ 1 Meter



WIRING DIAGRAM



PACKAGE

CARTON
981760

JBL M350

JBL M350

COMPONENT EXPLODED VIEW

