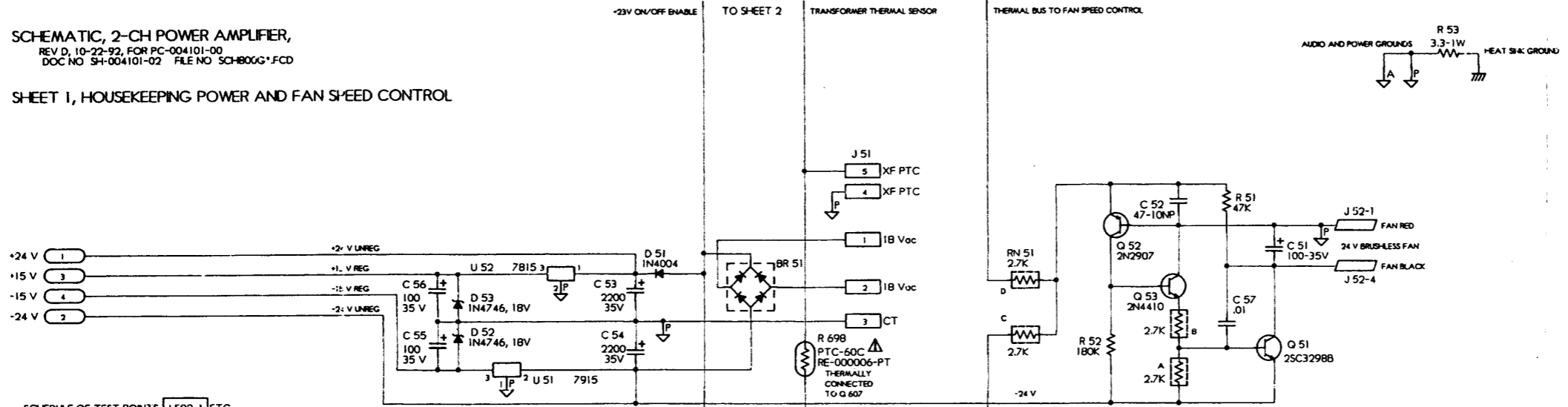


THESE DRAWINGS AND SPECIFICATIONS ARE THE PROPERTY OF JBL PROFESSIONAL PRODUCTS. THEY ARE ISSUED IN STRICT CONFIDENCE AND SHALL NOT BE REPRODUCED, COPIED, OR USED AS THE BASIS FOR MANUFACTURE OR SALE OF APPARATUS WITHOUT WRITTEN PERMISSION.

REVISIONS				
DATE	REV	DESCRIPTION	DATE	APPROVED
	B	PROD RELEASE PER ECO 1107 GLF	5-29-91	SGM
	C	REVISED PER ECO 1158	7-9-91	W.R./SGM
	D	REVISED PER ECO 1128	7-26-91	SGM
	E	REVISED PER ECO 1262	11-6-91	SGM
	F	REVISED PER ECO 1508 SGM	6-10-92	SGM
	G	REVISED PER ECO 1602 WR	10-22-92	SGM

SCHEMATIC, 2-CH POWER AMPLIFIER,
REV. D, 10-22-92, FOR PC-004101-00
DOC NO SH-004101-02 FILE NO SCH800G.FCD

SHEET 1, HOUSEKEEPING POWER AND FAN SPEED CONTROL



- SCHEDULE OF TEST POINTS J 502-1 ETC**
- CH-1 CH-2
 - J 502-1 J 602-1 NEGATIVE LIMITING VOLTAGE
 - J 502-2 J 602-2 POSITIVE LIMITING VOLTAGE
 - J 502-3 J 602-3 NOT USED
 - J 502-4 J 602-4 AMPLIFIER LOOP OPAMP OUTPUT
 - J 502-6 J 602-6 POS AMPLIFIER RAIL--HIGH VOLTAGE
 - J 502-8 J 602-8 NEG AMPLIFIER RAIL--HIGH VOLTAGE

PART NUMBERING SCHEDULE FOR PCBs USED IN EX-1600

PCB NUMBER	DESCRIPTION	CH 1 PARTS	CH 2 PARTS	PARTS IN COMMON
PC-004001-00	DISPLAY PCB	101-199	201-299	1-29
PC-004002-00	INPUT PCB	301-399	401-499	31-49
PC-004101-00	AMP PCB	501-599	601-699	51-69
PC-004104-00	SPKR PCB	701-799	801-899	71-99
PC-004103-00	AC PCB	901-UP (SAME BOARD FOR CH 1, CH2)		

- LAST USED REF. DESIGN.**
- BR 502, 602, BR 51
 - C 51 - 57, C 526, 626
 - D 51 - 53, D 513, 613
 - F 504, 604
 - J 51, 52, J 503, 603
 - K 501, 601
 - L 501, 601
 - Q 51 - 53, Q 510, 610
 - R 51 - 53, R 544, 644, R 598, 698, R 599, 699
 - RN 51, RN 502, 602
 - U 51, 52, U 506, 606
 - VR 503, 603

- NOTES.**
1. ALL RESISTORS 1/4-WATT, 5% UNLESS NOTED.
 2. ALL CAPACITORS 100V UNLESS NOTED. TOLERANCE 20% FOR ELECTROLYTIC TYPES, 10% ON OTHER TYPES.
 3. BRIDGE RECTIFIER BR 51, 1.5A, 100V.
 4. R 598, 698 IS POSITIVE TEMPERATURE COEFFICIENT RESISTOR MOUNTED TO HEAT SINK. RESISTANCE 100 OHM COLD, RISING AT 55 C.
 5. PARTS MARKED WITH TRIANGLE Δ MUST BE REPLACED WITH EXACT TYPE ONLY. 125 W, 60 V MINIMUM, ON-RESISTANCE 0.030 OHMS MAX.
 6. ZENERS D 503, 504, 603, 604 MARKED 7.5 V TESTED FOR LOW LEAKAGE.
 7. ZENERS D 509, 513, 609, 613, 6.2V-500mW, TESTED FOR LOW LEAKAGE
 8. PARTS ENCLOSED WITHIN DOTTED OUTLINE ----- HAVE VOLTAGES GREATER THAN 42V.

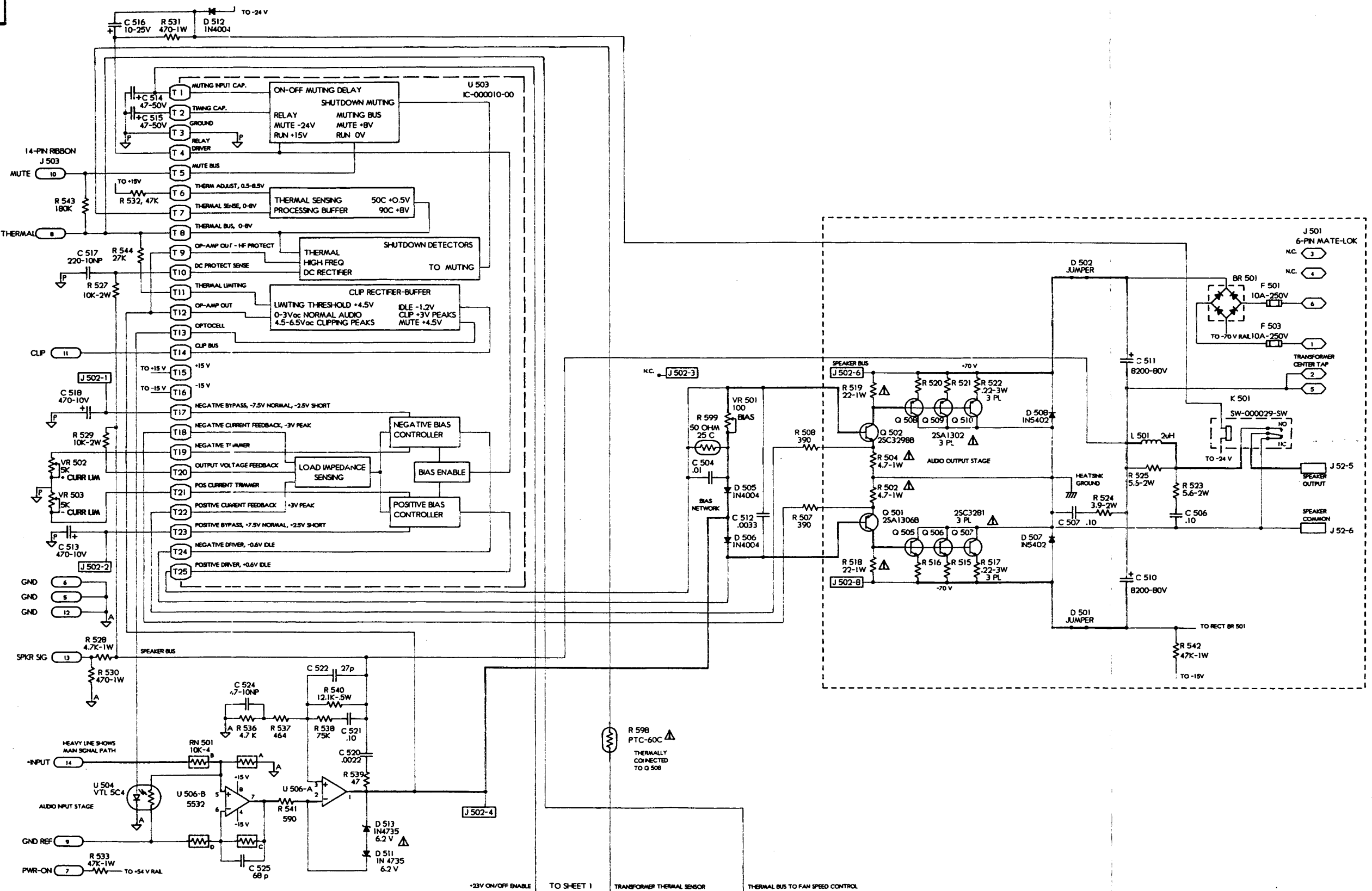
JBL-004101-02 REV G
 SCHEMATIC MPA 275 DRAWING
 SHEET 1 OF 3

DEC 28 1992

UNLESS OTHERWISE SPECIFIED DIMENSIONS ARE IN INCHES TOLERANCES ARE		CONTRACT NO.		APPROVALS		DATE		JBL Professional Products Northridge, California	
FRACTIONS	DECIMALS	ANGLES		DRAWN	PHQ	5-15-91	SCHEMATIC - MPA 275 DRAWING		
1/16	.01	1/16		CHECKED	SA/SGM	5-29-91 <td>SIZE (FSCH NO.)</td> <td>DOC NO.</td> <td>REV</td>	SIZE (FSCH NO.)	DOC NO.	REV
				ISSUED			D	SH-004101-02	G
WP-004101-20	MPA 275	FINISH		SCALE			SHEET 1 OF 3		
NEXT ASSY	USED ON	APPLICATION	DO NOT SCALE DRAWING	SCH-800G1.FCD					

SCHEMATIC, MPA 275, SHEET 2, AMPLIFIER CHANNEL A

THESE DRAWINGS AND SPECIFICATIONS ARE THE PROPERTY OF JBL PROFESSIONAL PRODUCTS. THEY ARE ISSUED IN STRICT CONFIDENCE AND SHALL NOT BE REPRODUCED, COPIED, OR USED AS THE BASIS FOR MANUFACTURE OR SALE OF APPARATUS WITHOUT WRITTEN PERMISSION.

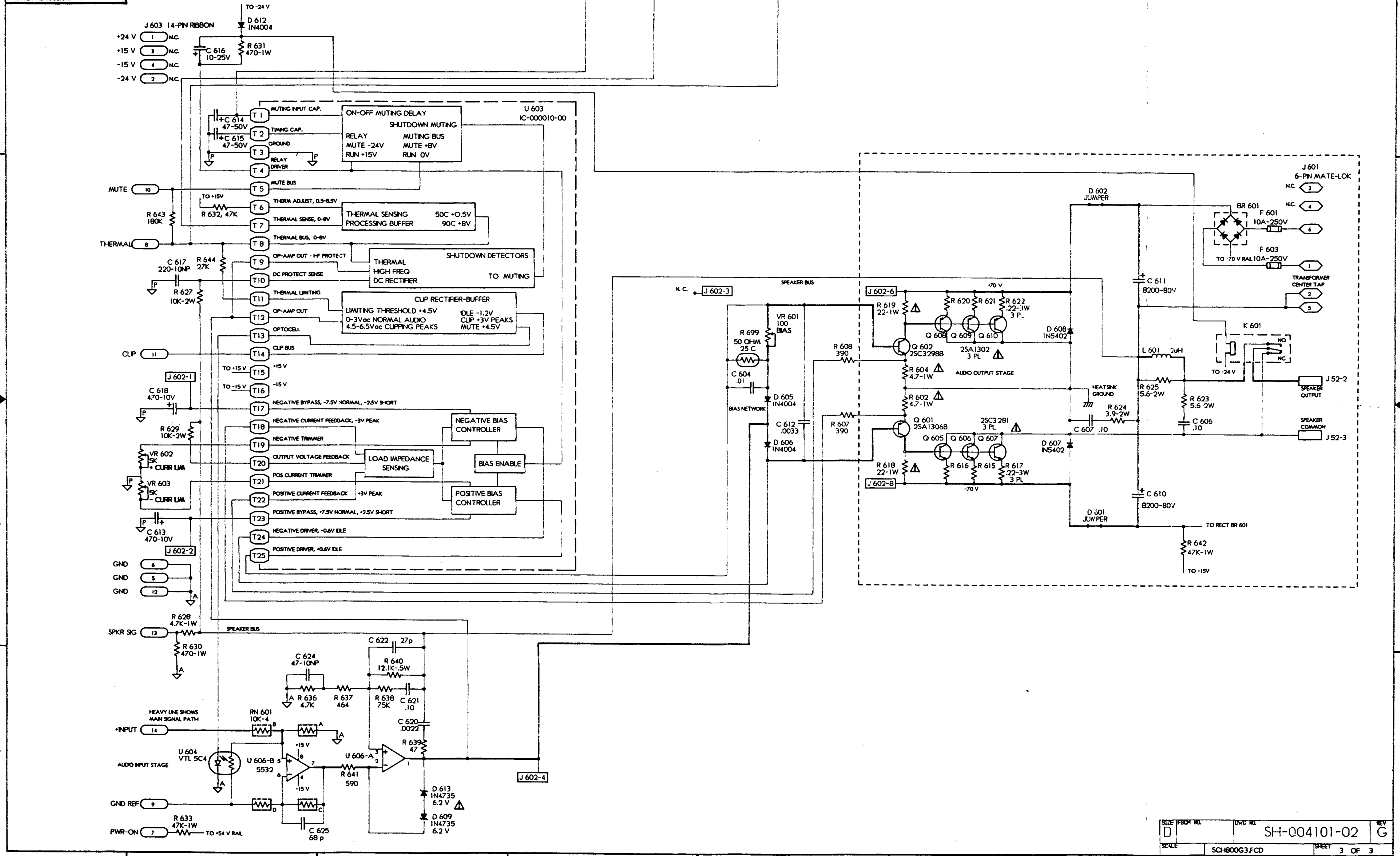


SCHEMATIC MPA 275 DRAWING SHEET 2 OF 3

THESE DRAWINGS AND SPECIFICATIONS ARE THE PROPERTY OF JBL. PROFESSIONAL PRODUCTS. THEY ARE ISSUED IN STRICT CONFIDENCE AND SHALL NOT BE REPRODUCED, COPIED, OR USED AS THE BASIS FOR MANUFACTURE OR SALE OF APPARATUS WITHOUT WRITTEN PERMISSION.

SCHEMATIC MPA 275, SHEET 3, AMPLIFIER CHANNEL B

SH-004101-02 3 REV G



SIZE (FSH) NO.	DWG. NO.	REV.
D	SH-004101-02	G
SCALE	SCH-800G3.FCD	SHEET 3 OF 3

SHEET 3 OF 3