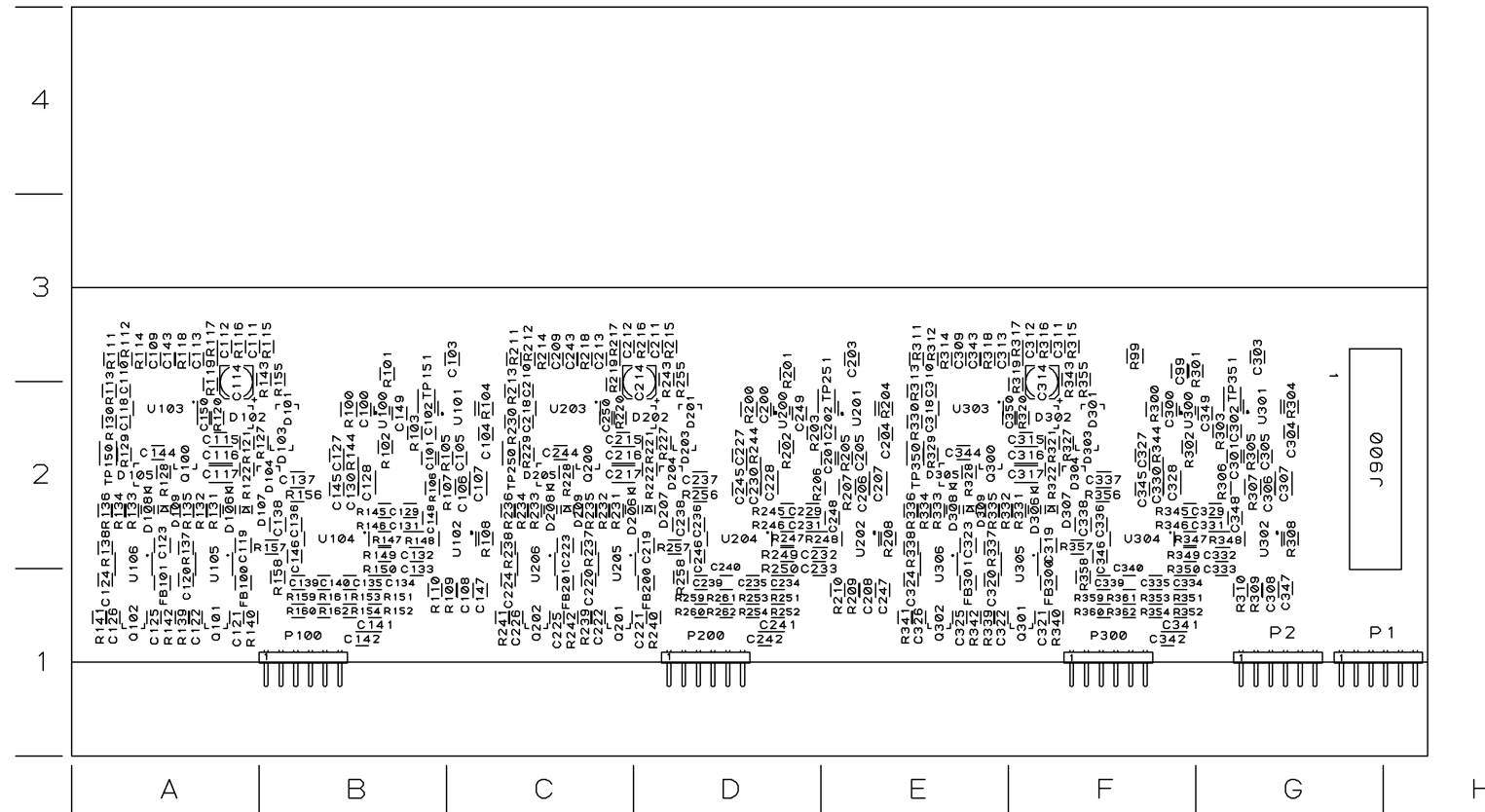


REVISION HISTORY

E. C. N.	ZONE	REV	DESCRIPTION	DATE	APPROVED		
					DWN	CM	PE
		2	INITIAL RELEASE FOR PRODUCTION.	12-06-05	KLW		EB
		3	SEE 138978-1_3.XLS FOR COMPONENT DATA AND REVISION HISTORY.	12-30-05	KLW		EB

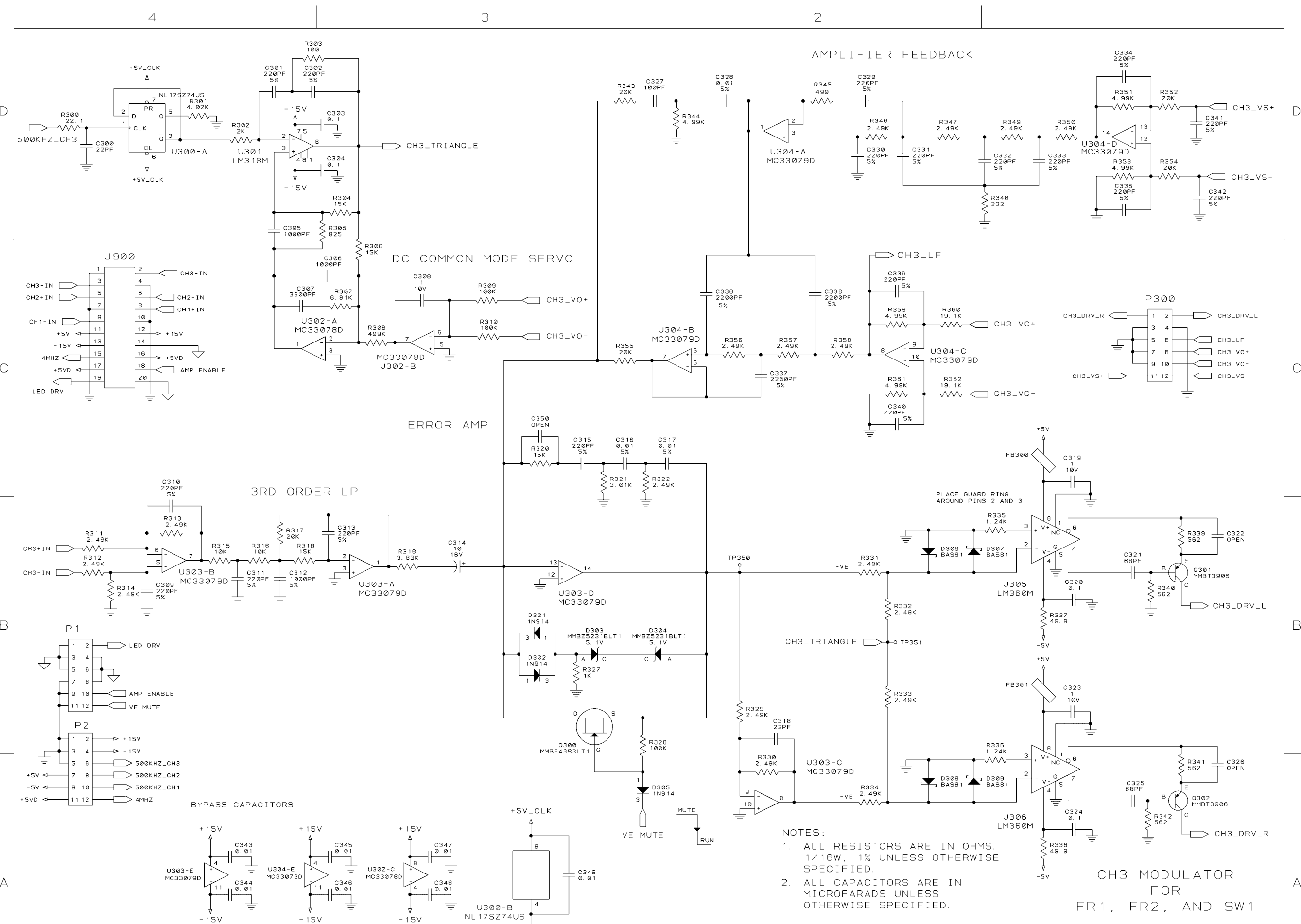
COMPONENT MAP  
TOP SIDE



UNCONTROLLED  
UNLESS OTHERWISE MARKED IN RED INK BY CM AS A CONTROLLED COPY, COPIES OF THESE DOCUMENTS INCLUDING ASSOCIATED ELECTRONIC REPRODUCTIONS ARE FOR REFERENCE ONLY.

THESE DRAWINGS AND SPECIFICATIONS ARE THE PROPERTY OF CROWN INTERNATIONAL, INC. AND SHALL NOT BE REPRODUCED, COPIED, OR USED AS THE BASIS FOR THE MANUFACTURE OR SALE OF APPARATUS OR DEVICES WITHOUT PERMISSION.

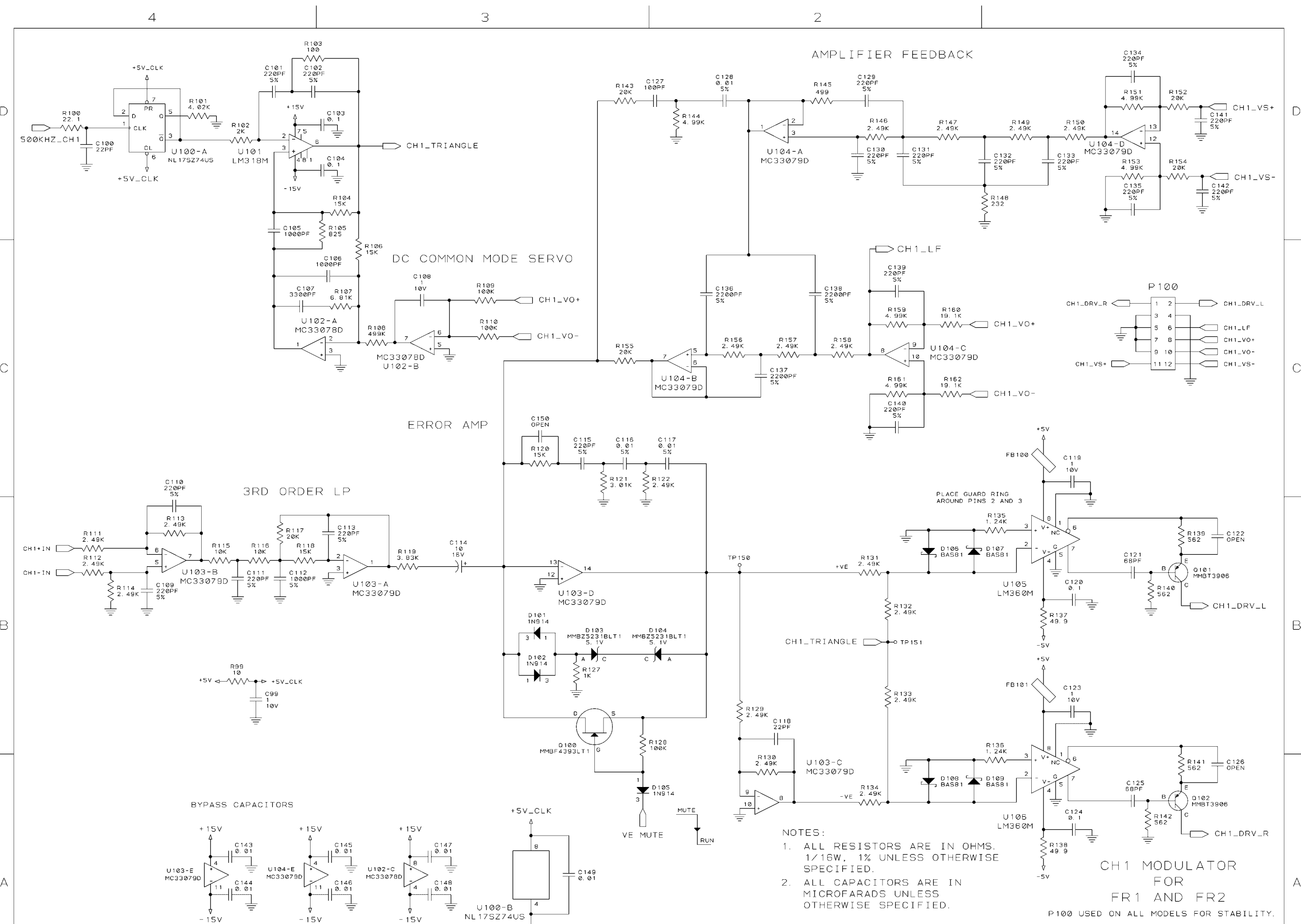
DISTRIBUTION	DWN	KLW	12-06-05	<p>1718 W. MISHAWAKA RD. ELKHART IN, 46517 PHONE 574-294-8000 WWW.CROWNAUDIO.COM</p>
	CM			
FILENAME	PE	EB	12-06-05	TITLE
138978-1_3_01.PCB				PWA, FR1 MODULATOR
TOLERANCE UNLESS OTHERWISE SPECIFIED				SIZE
.00 = ±.02" .000 = ±.010" DRILLS = ±.003"				DWG NO.
DO NOT SCALE DRAWING				138978-1
				REV
				3
	SCALE NONE	PROJ NO. MAMPJB0	SHEET 1 OF 4	



- NOTES:
1. ALL RESISTORS ARE IN OHMS. 1/16W. 1% UNLESS OTHERWISE SPECIFIED.
  2. ALL CAPACITORS ARE IN MICROFARADS UNLESS OTHERWISE SPECIFIED.

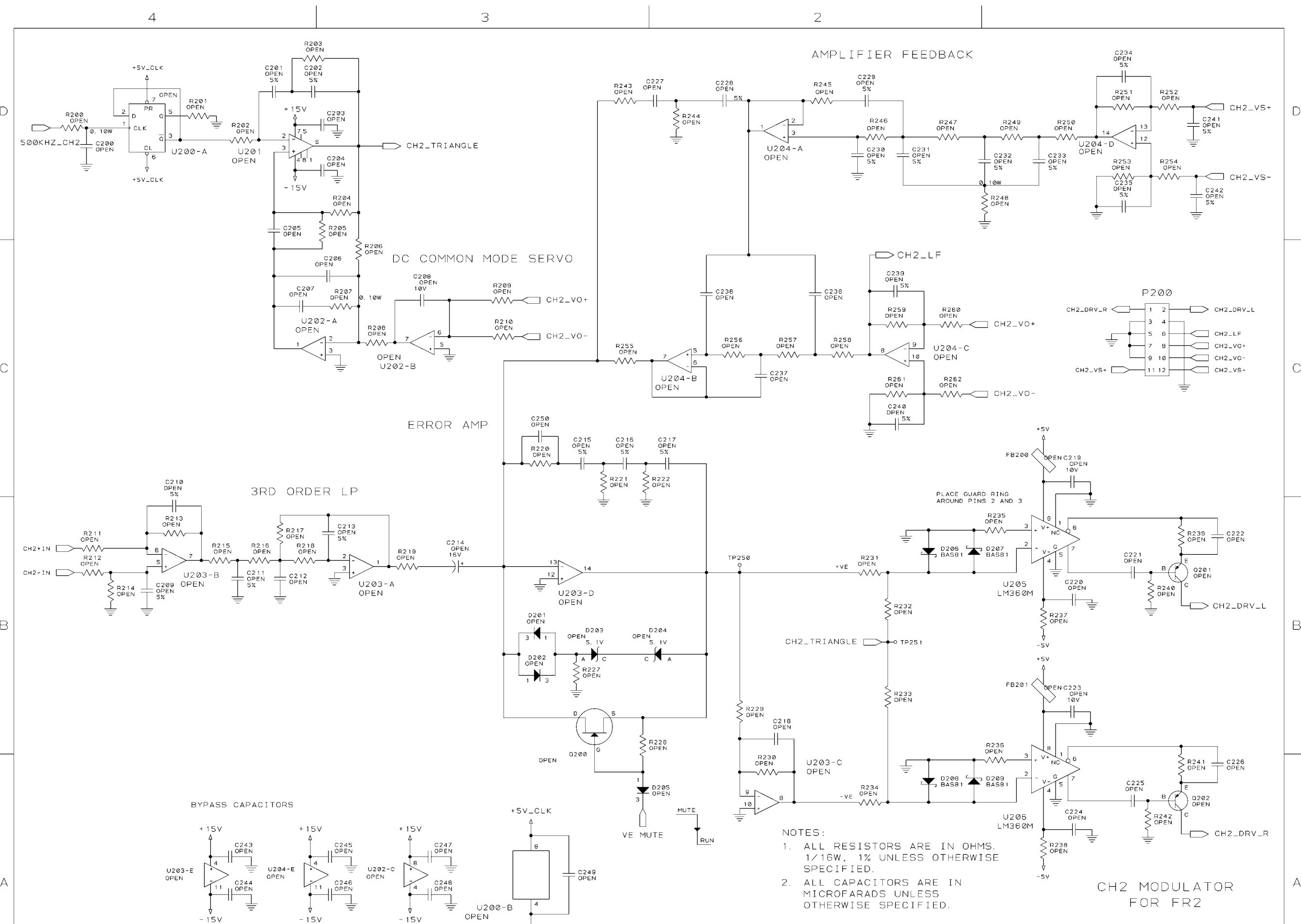
CH3 MODULATOR  
FOR  
FR1, FR2, AND SW1

UNCONTROLLED UNLESS OTHERWISE MARKED IN RED INK BY CM AS A CONTROLLED COPY. COPIES OF THESE DOCUMENTS INCLUDING ASSOCIATED ELECTRONIC REPRODUCTIONS ARE FOR REFERENCE ONLY.		THESE DRAWINGS AND SPECIFICATIONS ARE THE PROPERTY OF CROWN INTERNATIONAL, INC. AND SHALL NOT BE REPRODUCED, COPIED, OR USED AS THE BASIS FOR THE MANUFACTURE OR SALE OF APPARATUS OR DEVICES WITHOUT PERMISSION.		SIZE C	DWG NO. 138978-1	REV 3
SCALE NONE		PROJ NO. MRX500P		SHEET 4 OF 4		



- NOTES:
1. ALL RESISTORS ARE IN OHMS. 1/16W. 1% UNLESS OTHERWISE SPECIFIED.
  2. ALL CAPACITORS ARE IN MICROFARADS UNLESS OTHERWISE SPECIFIED.

CH1 MODULATOR FOR FR1 AND FR2  
 P100 USED ON ALL MODELS FOR STABILITY.



- NOTES:
1. ALL RESISTORS ARE IN OHMS. 1/16W. 1% UNLESS OTHERWISE SPECIFIED.
  2. ALL CAPACITORS ARE IN MICROFARADS UNLESS OTHERWISE SPECIFIED.

UNCONTROLLED UNLESS OTHERWISE MARKED IN RED INK BY CM AS A CONTROLLED COPY. COPIES OF THESE DOCUMENTS INCLUDING ASSOCIATED ELECTRONIC REPRODUCTIONS ARE FOR REFERENCE ONLY.		THESE DRAWINGS AND SPECIFICATIONS ARE THE PROPERTY OF CROWN INTERNATIONAL, INC. AND SHALL NOT BE REPRODUCED, COPIED, OR USED AS THE BASIS FOR THE MANUFACTURE OR SALE OF APPARATUS OR DEVICES WITHOUT PERMISSION.		SIZE C	DWG NO. 138978-1	REV 3
SCALE NONE		PROJ NO. MRX500P		SHEET 3 OF 4		