

# Technical Manual

# JBL/UREI SR6630 POWER AMPLIFIER

## SPECIFICATIONS



	2 Ohm/Ch	4 Ohm/Ch	8 Ohm/Ch	8 Ohm Bridge	16 Ohm Bridge
<b>Rated Power:</b>	—	300 W	190 W	600 W	380 W
<b>Midband Power:</b>	500 W	330 W	200 W	—	—

**Rated Power:** is minimum continuous sine wave output per channel, with both channels driving their rated load over a power bandwidth of 20 Hz to 20 kHz. Maximum total harmonic or intermodulation distortion measured at any power level from 250 milliwatts to rated power is less than 0.1%. Maximum Transient Intermodulation Distortion is less than 0.05%.

**Midband Power:** is maximum output power at onset of clipping, both channels driven with 1 kHz sine wave, THD 1%.

**Frequency Response:** +0 dB, -1 dB, 20 Hz to 20 kHz, at any level up to rated power.

**Noise:** At least 100 dB below rated output (15.7 kHz noise bandwidth).

**Input:** Balanced bridging differential amplifier.

**Input Impedance:** Line: 40 k ohms used as balanced input; 20 k ohms used as unbalanced (single-ended) input.

**Maximum Input Level:** +20 dB (7.75 V rms).

**Input Sensitivity:** 1.1 V for rated output into 8 ohm load.

**Damping Factor:** Greater than 200 at any frequency from 20 Hz to 1 kHz into 8 ohm load.

**AC Power:** Power Consumption: At idle (approx.): 60 W. At rated output (4 ohms both channels): 1200 W.

**Polarity:** Positive-going signal on pin 3 of XL or tip of phone jack gives positive-going signal at + output terminal.

**Connectors:** Input connectors are Female XL style 3 pin and 3-conductor phone jack wired in parallel. Output connectors are 5-way binding posts on 19mm (¾ inch) centers.

**Controls:** Channel Gain (2), Power, Stereo/Bridge Mono/Dual Mono Switch, Ground Lift Switch.

**Indicators:** Power, Signal Present (2), Clip (2), Standby.

**Dimensions:** 19 inch Rack Mounting: 88mm (3.5 in.) high by 368mm (14.5 in.) deep to rear panel. 406mm (16 in.) depth to rear of Rear rack mounting ears.

**Net Weight:** To be determined.

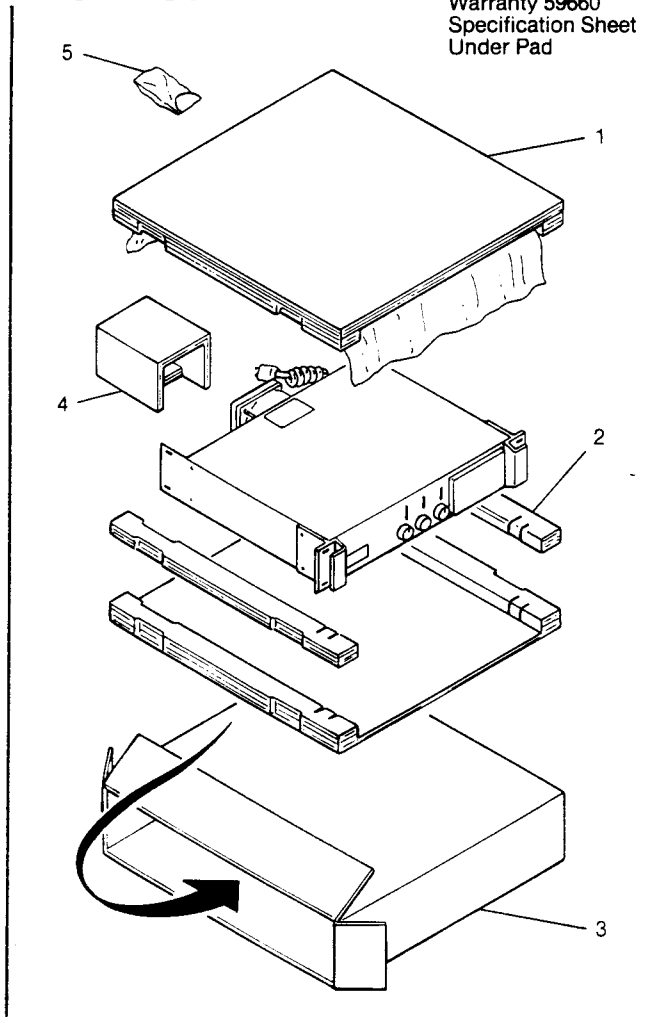
**Rear Panel:** Input Connectors: XLR, Phone Jacks, Ground Lift Switch, Mode Switch: Stereo/Dual, Mono/Bridge, Mono. Output Connections—Domestic (USA and Mexico): 5-Way Binding Posts In Line on 19mm (¾ inch) Centers Locations to attach rack supports at rear panel. Circuit Breakers.

**Front Panel:** Power Switch, Stepped Input Level Controls, Rack Handles, LED Display: Power, Input Signal Present (2), Output Clip (2), Protect.

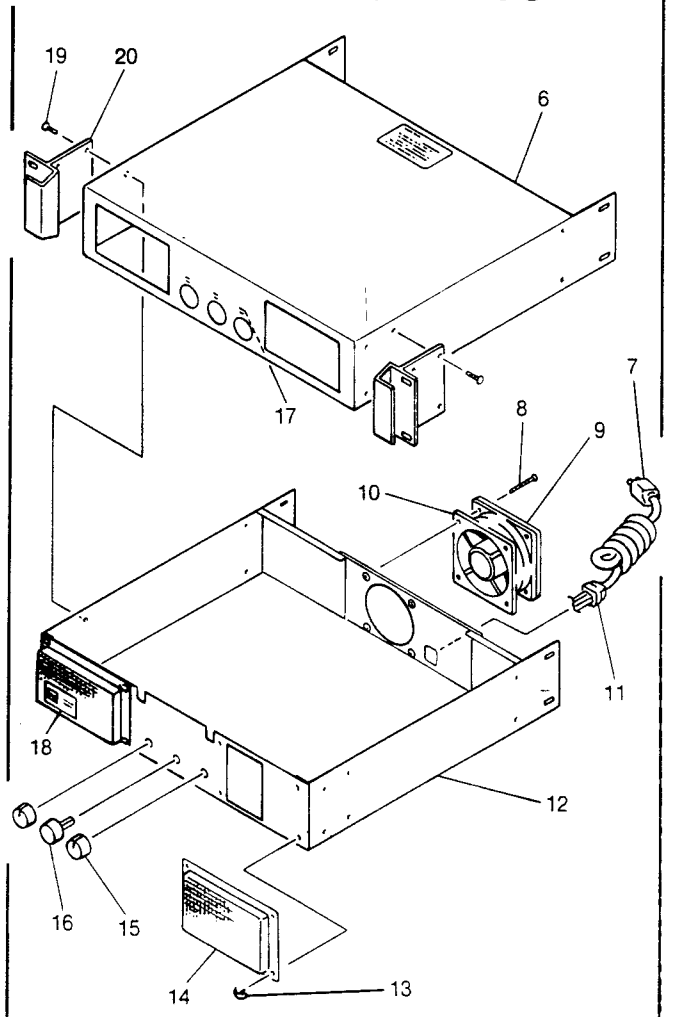
**Other:** Fan cooled (air flow is back-to-front).

**Warranty Information:** Refer to the Warranty Statement packed with each product.

## PACKAGE



## CABINET COMPONENTS



JBL/UREI SR6630 REVA

# JBL/UREI SR6630

## COMPONENTS PARTS LIST

ITEM	PART NO.	QTY	DESCRIPTION
1	33-0415	2	INSRT
2	33-0425	2	INSRT DIE CUT ES/SR
3	33-0414	1	SHIPPING CARTON SR
4	33-0419	2	INSRT, REAR (FAN)-2 PCS/PACK
5	10-16524	1	KIT, RACK, SCR-SR
6	25-16510	1	COVER CHASSIS, SR6630
7	36-0330	1	CORD PW 14/3 5.5' SJT
8	30-0322	4	SCR, 6-32x1-3/4 PFH
9	45-0118	1	FAN GUARD SOMM (NO SCREEN)
10	45-0116	1	FAN DC TB AXL 12V
11	36-0333	1	STRAIN RELIEF AC CRD
12	25-16665	1	CHASSIS, MAIN, FAB, SR
13	27-0567	4	CONN, TAB .187" FASTON
14	25-16445	1	GRILL, FLTR, GRY, WO-LOGO
15	24-16500	2	KNOB, INP, STRL, SR, AMP
16	24-16443	1	PWR BUTTON ES
17	25-16504	3	LENS, LED 2 WINDOWS
18	25-16404	1	GRILL, FLTR-GRY, W/LOGO 2 R
19	30-0333	12	SCR, 10-32x1/2, PPH, ZN
20	25-16487	2	RACK EAR 2 RACK SPACE
21	36-0531	8	BUTTON MTG
22	15-14286	2	SW, 2, POLE, 3POS
23	30-0327	2	SCR, 3x5MM PPH
24	30-0234	5	SCR, 6-32x1/4 PPH SEMS
25	16-16431	1	XFMR, TOR, 120V, 300W
26	30-0340	1	SCR, 1/4-20x3, HXHD, MCH
27	30-0230	4	SCR, 8-32x3/8 PPH
28	29-0048	1	NUT 6-32 HEX KEPS
29	13-0281	1	RECT BRDG 25A 200V
30	30-0293	1	SCR, 6-32x3/4 PPH
31	15-0472	1	CIRCUIT BREAKER 15A
32	27-0222	2	BIND, POST-BLK
33	27-0221	2	BIND, POST-RED
34	30-0234	1	SCR, 6-32x1/4 PPH SEMS
35	42-0034	1	LUG, #6 MTG
36	25-16746	1	CHAS, PWR, 6630/600
37	36-0325	1	BUMPER, RUBBER

ITEM	PART NO.	QTY	DESCRIPTION
38	25-16620	2	HEATSINK, FAB ES/SR
39	25-16413	24	CLIP, HEATSINK ES/SR
40	25-16748	5	BAFFLE, AIR-FLOW, EMI, SHD
41	15-0463	1	SW, PWR, SPST, 15A
42			
43			
44			
45			
46			
47			
48			
49			
50			

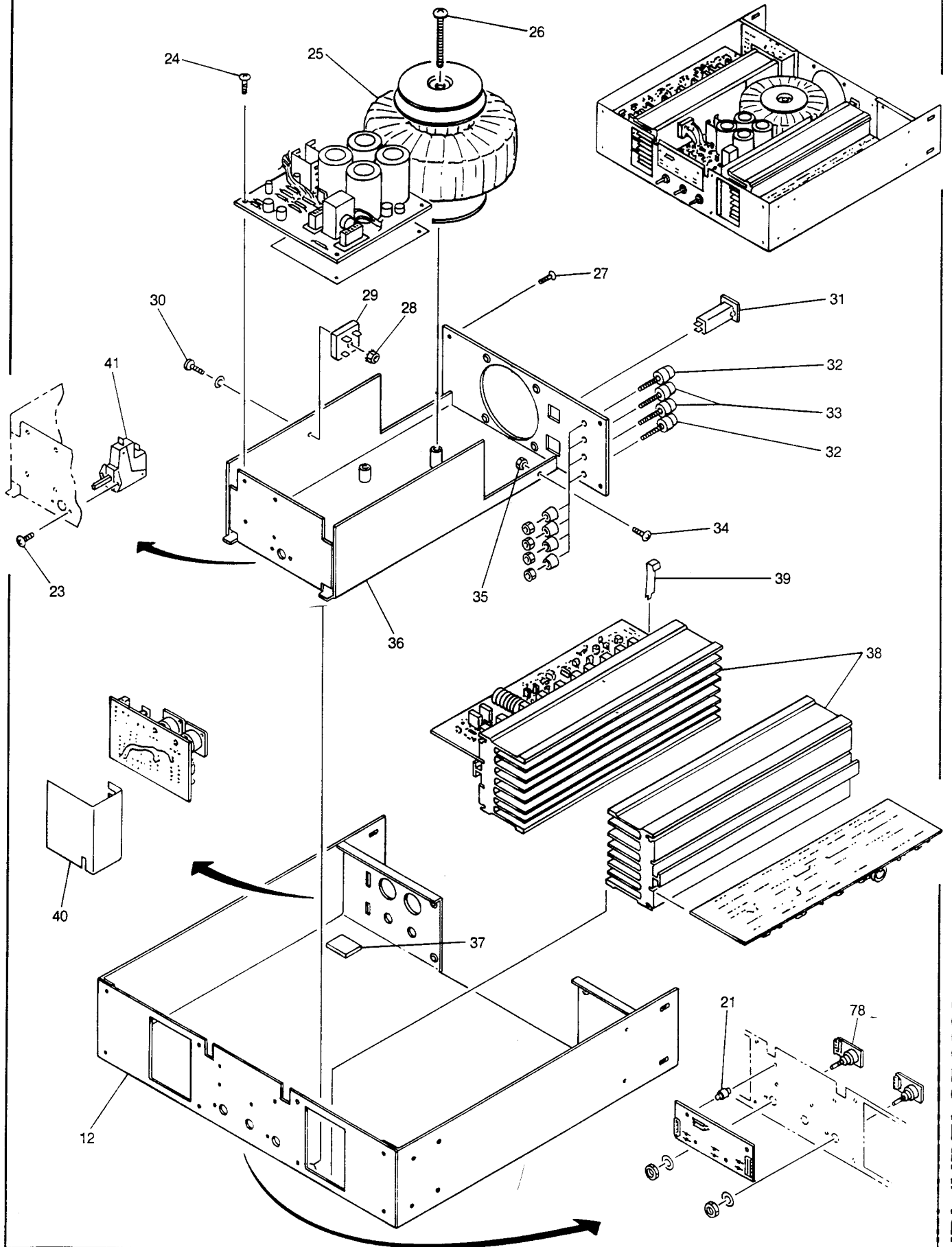
### CIRCUIT BOARDS

51	13-0276	5	IC, NE5532AF
52	13-0315	1	IC, NE5534N, OP-AMP
53	13-0424	3	XSTR, 2N6728, PNP, 60V
54	13-0543	8	XSTR, 2SA1386, PNP
55	13-0542	2	XSTR, 2SC2837
56	13-0541	2	XSTR, 2SA1186
57	13-0544	8	XSTR, 2SC3519
58	13-0280	2	OPTOISOLATOR HIAI
59	16-14573	2	COIL, AIR, CORE, 2.2UH
60	13-0545	10	XSTR, 2SA1208S
61	13-0546	12	XSTR, 2SC2910S
62	13-0423	5	XSTR, 2N6716, NPN, 60V
63	13-0547	2	XSTR, 2SA1011E, PNP
64	13-0548	2	XSTR, 2SC2344E, NPN
65	189-00004-00	2	THERMISTOR ASSY
66	13-0586	3	LED, RED SUB-MINI
67	13-0587	3	LED, GRN SUB-MINI
68	15-0389	1	RELAY DPDT 24V
69	36-0403	2	CERAMIC BASE MAGNET
70	13-0390	2	RECT, BRDG, 200V, 1.5A
71	13-0383	1	REG, E. POS, 5V, K, T092
72	36-0446	2	HEATSINK
73	13-0195	1	IC, 7915, RGLTR, TO-220

JBL/UREI SR6630

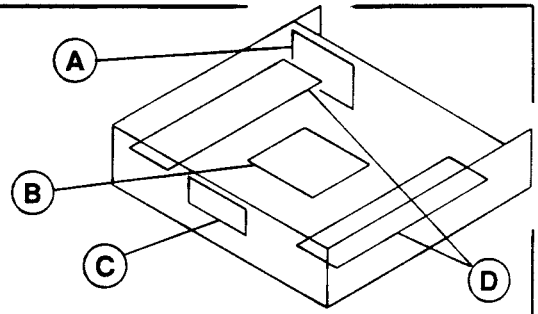
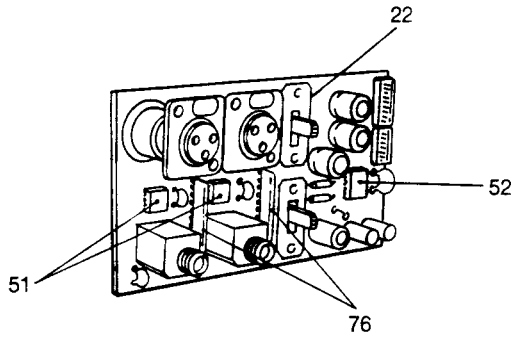
# JBL/UREI SR6630

## COMPONENT EXPLODED VIEW

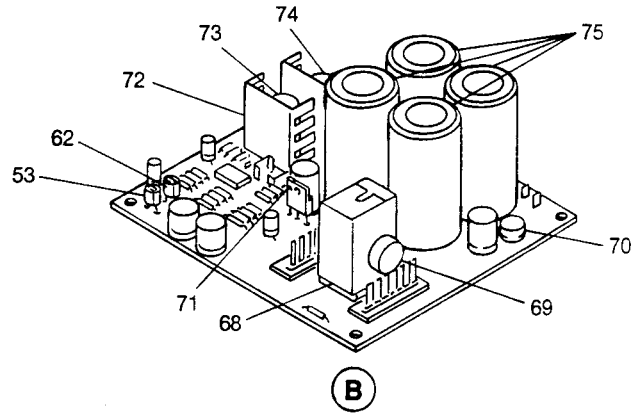


# JBL/UREI SR6630

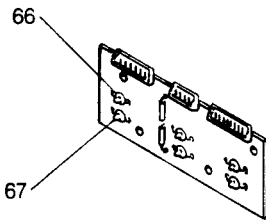
## CIRCUIT BOARDS



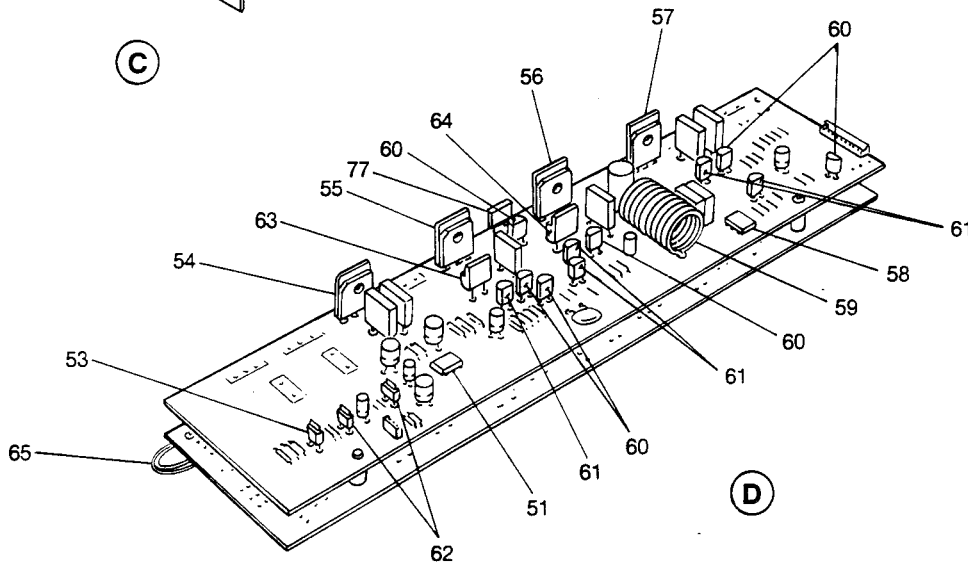
(A) ROTATED 90°



(B)



(C)

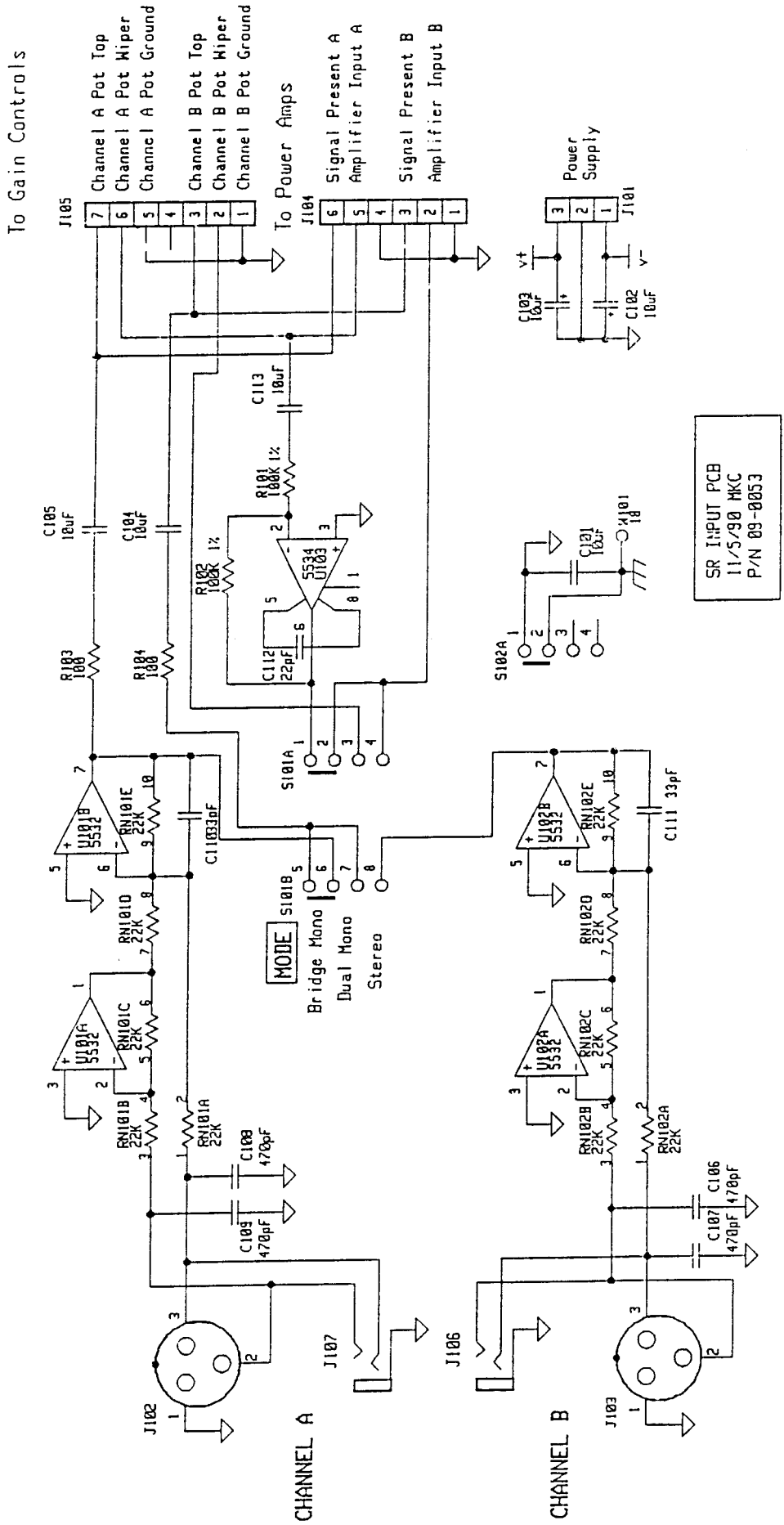


(D)

ITEM	PART NO.	QTY	DESCRIPTION
74	13-0194	2	IC, 7815, RGLTR, TO-220
75	14-0791	2	CAP-SF, .018MF, 5%, 100V
76	13-0369	2	RES. NTWK, SIP, 22K, 10P
77	13-0676	2	XSTR. 2SA1360, PNP, 150V
78	15-16415	2	POT. 10K, AUDIO, 31POS
79			
80			
81			
82			

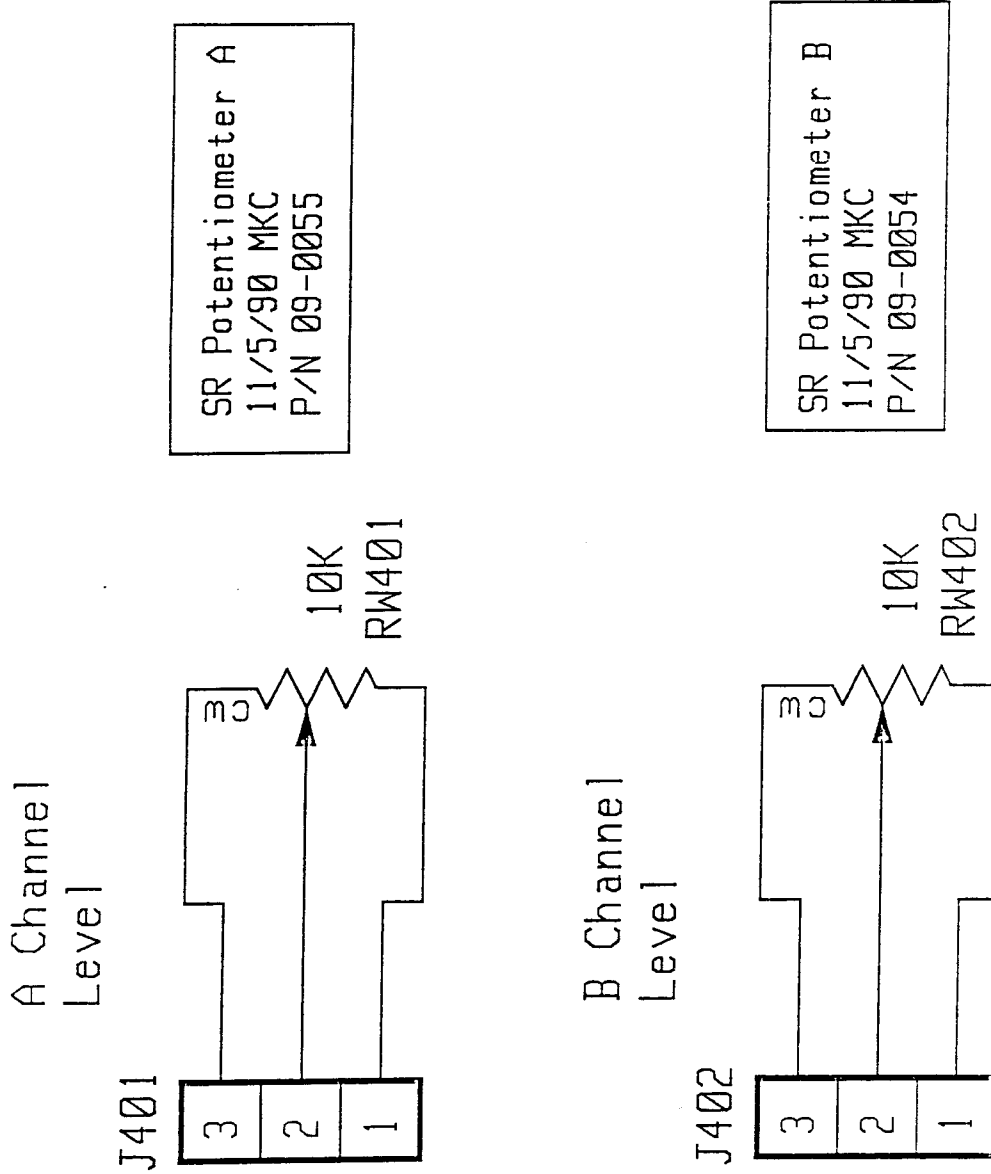
ITEM	PART NO.	QTY	DESCRIPTION
83			
84			
85			
86			
87			
88			
89			
90			
91			

# SCHEMATIC, INP, PCB, SR-A (05-17019)



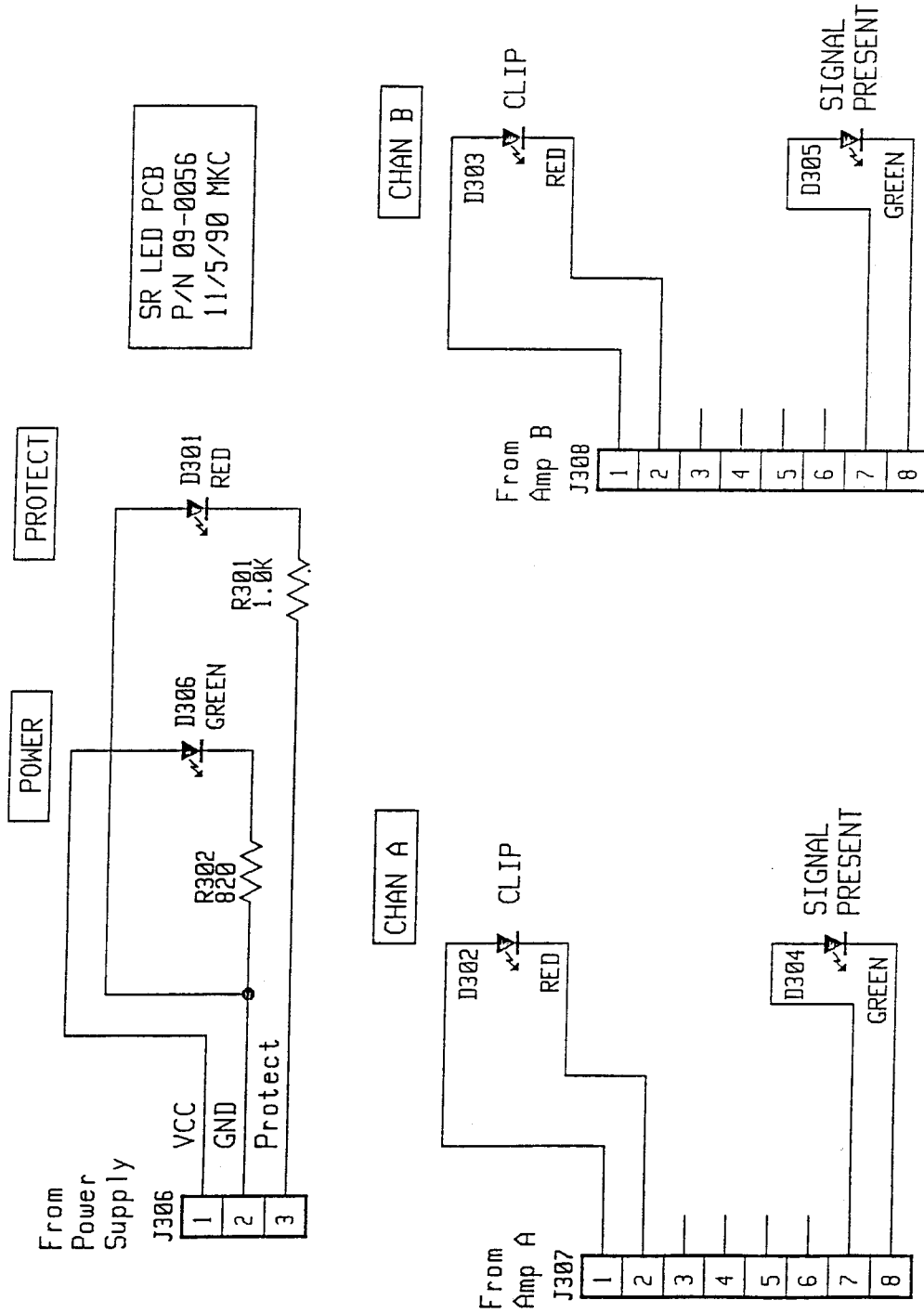
**JBL/UREI SR6615, SR6630**

**SCHEMATIC, LVL, CONT, SR-A (05-17020)**



From Input Board

# SCHEMATIC, DSPL, SR-A (05-17023)

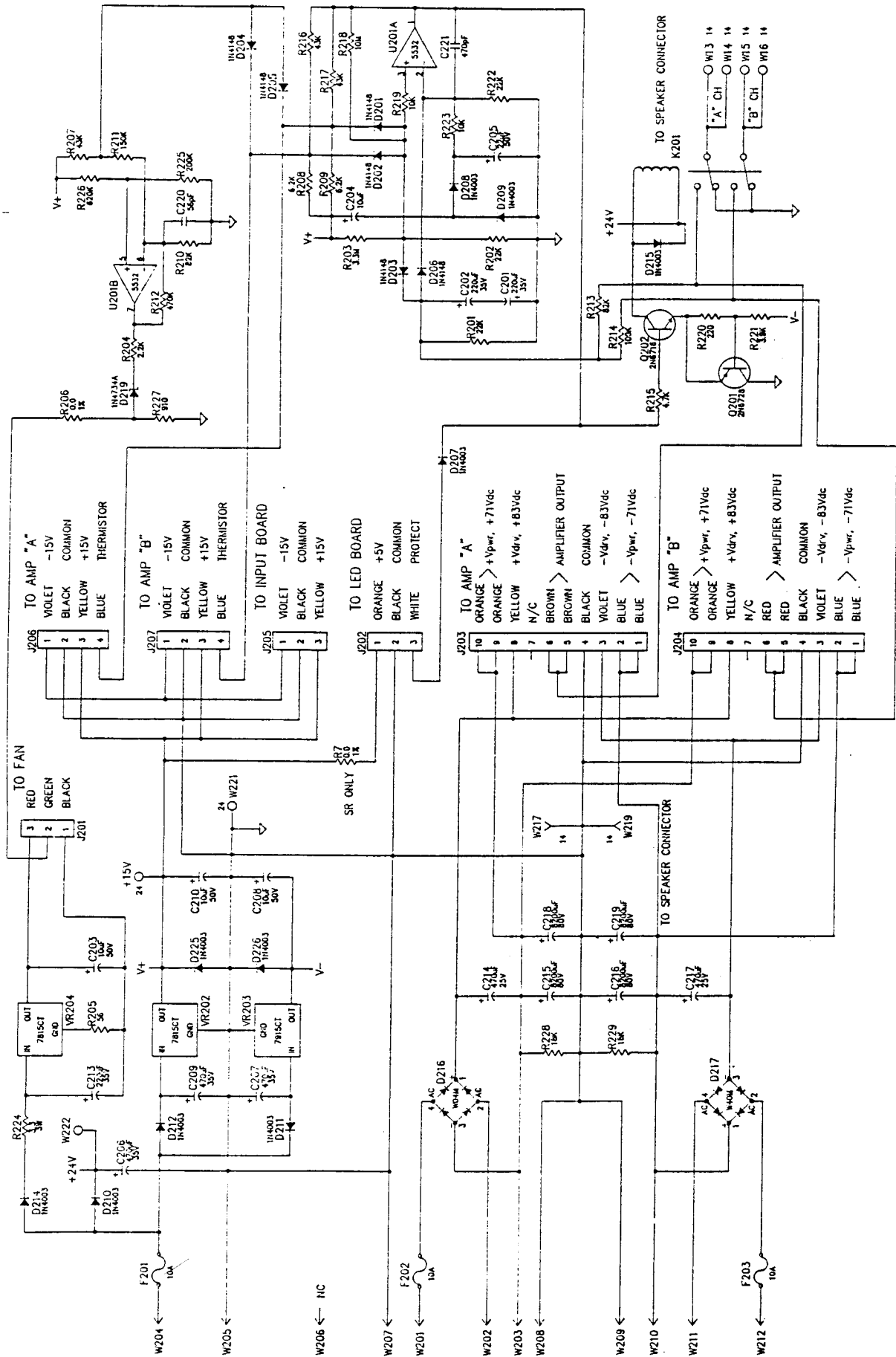


**JBL/UREI SR6615, SR6630**



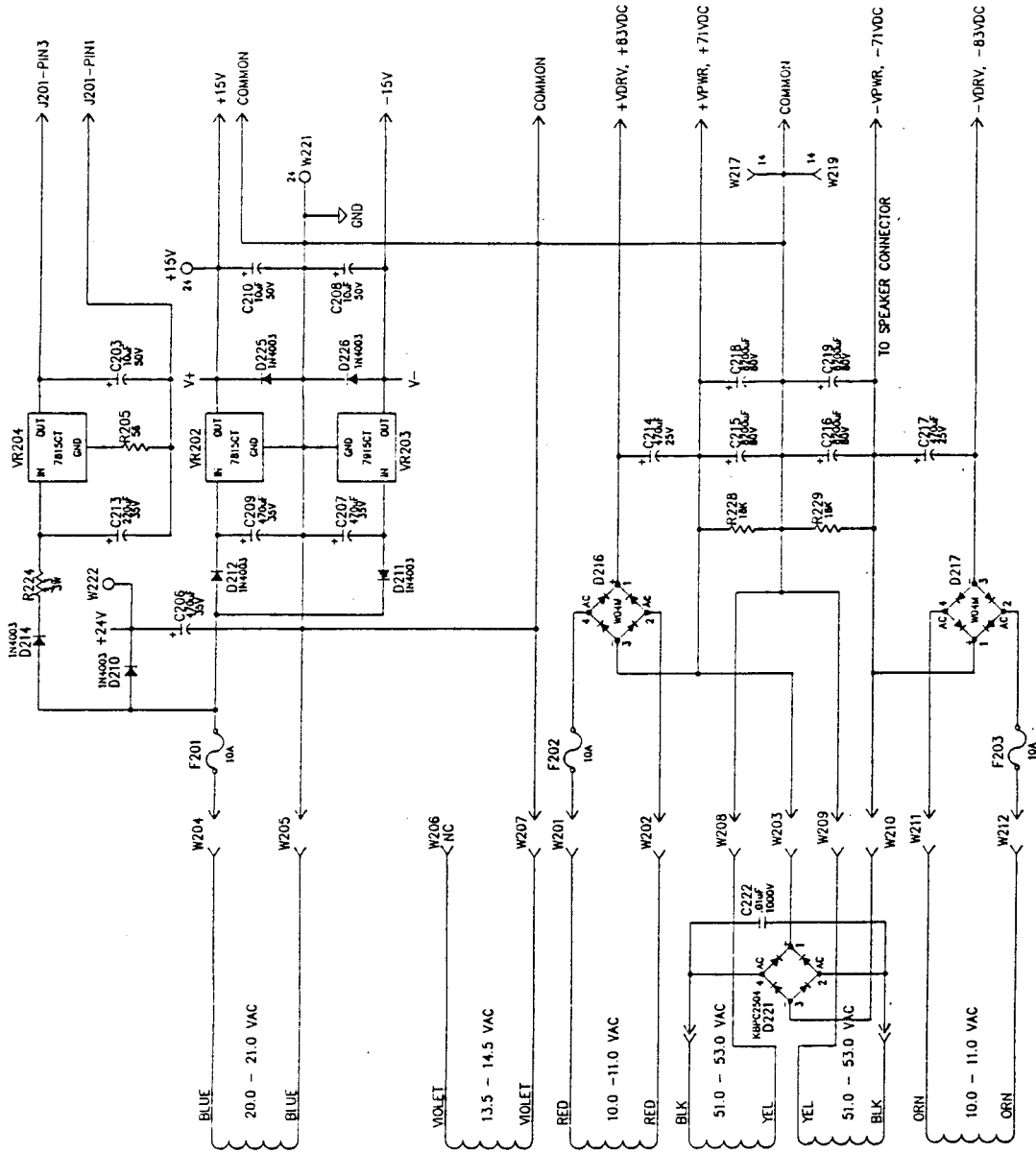


# SCHEMATIC, PWR-SPLY, SR6630 (05-17034)



**JBL/UREI SR6630**

# SCHEMATIC, SR6630, XFMR, WIRING (05-17070)



T1

TRANSFORMER (T1) P/N	LINE VOLTAGE	LINE FREQUENCY	PRIMARY WIRING NUMBER/COLOR
16-16431	120VAC	60Hz	1/WHT, 2/BLK
16-16432	100VAC	50/60Hz	1/WHT, 2/BLK
16-16433	230VAC	50/60Hz	1/WHT, 2/BLK
16-16434	240VAC	50/60Hz	1/WHT, 15/BRN

NOTE: 120VAC 60Hz WIRING SHOWN

