

REV	DESCRIPTION	ECN #	INIT	DATE
A3	CHANGED C20 FROM 62-3239 TO 56-0012	1309	MRC	6/28/00
A2	CHANGE FASTONS	1303	DWB	6-20-00
A1	CHANGE RESISTOR R321 FROM 20.0K TO 24.9K	1294	DP	6-14-00
A0	RELEASE TO PRODUCTION		DWB	5-24-00

REVISION HISTORY

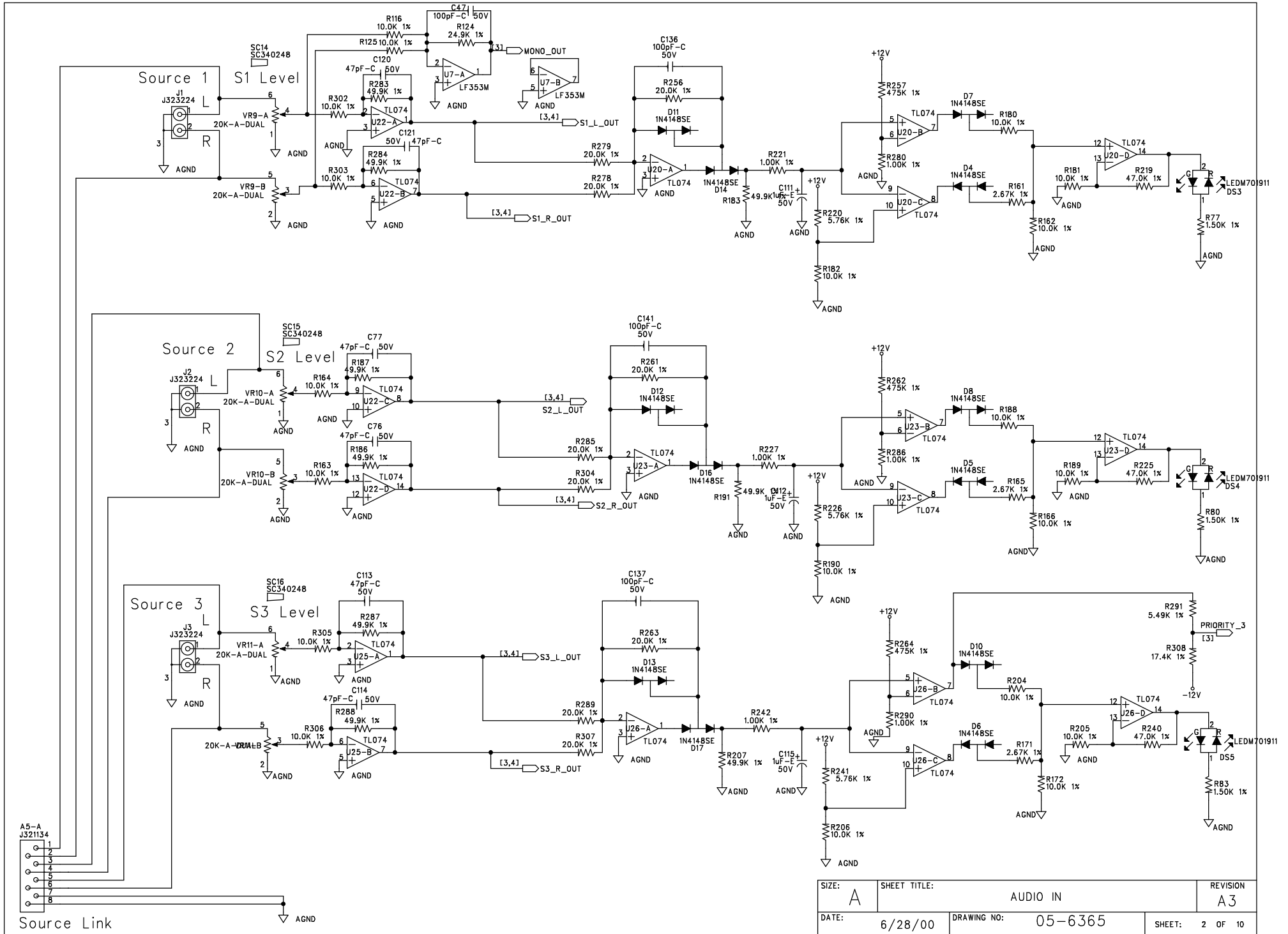
**JBL Professional**  
8760 South Sandy Parkway Sandy Utah 84070

**TITLE:**  
JBL Z32S  
Soundzone Controller

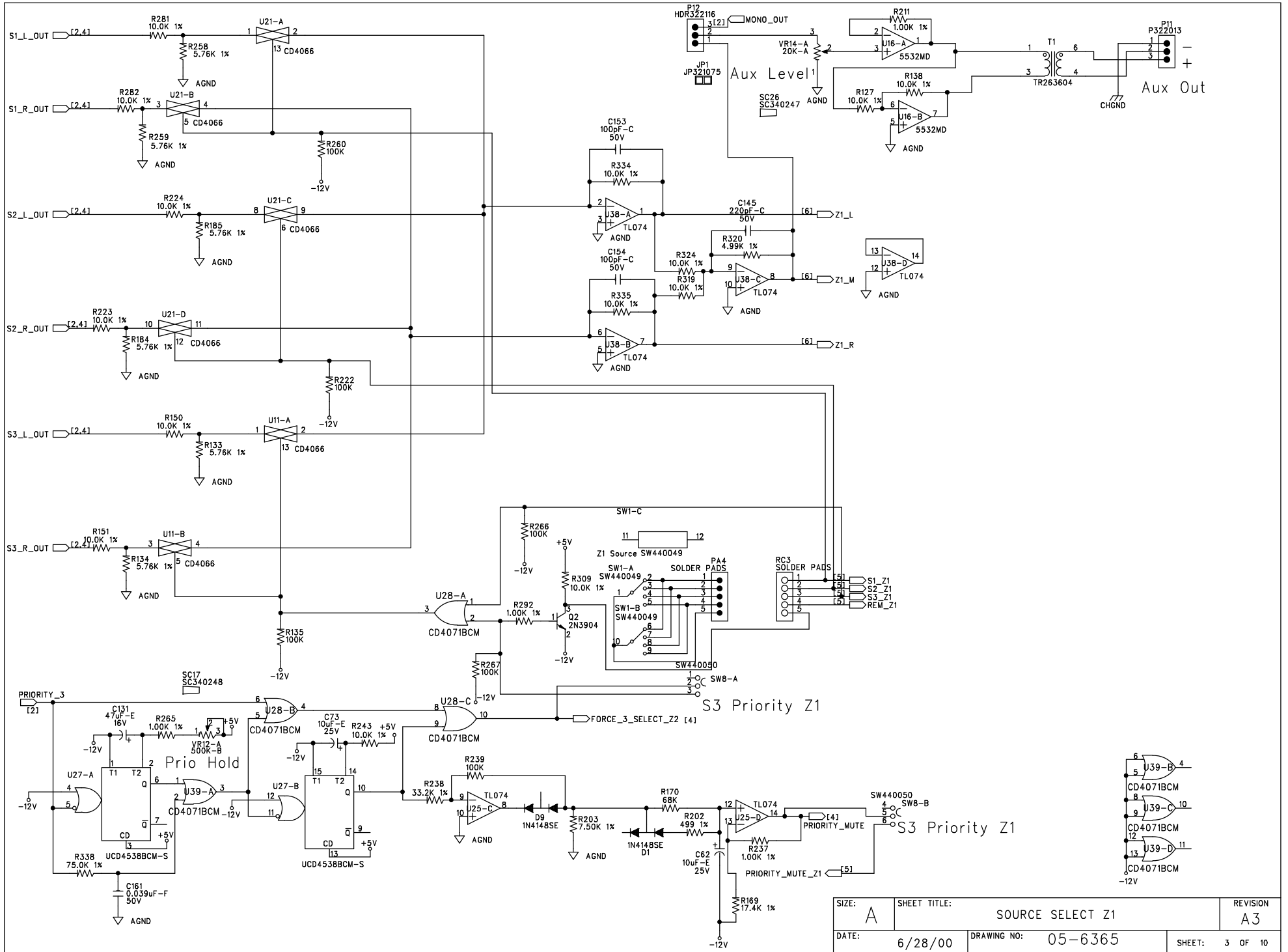
**DESIGNER:** DAVID W. BYBEE      **ENGINEER:** JOHN C. ELLIOT

**SIZE:** A      **DRAWING NO:** 05-6365      **REVISION:** A3

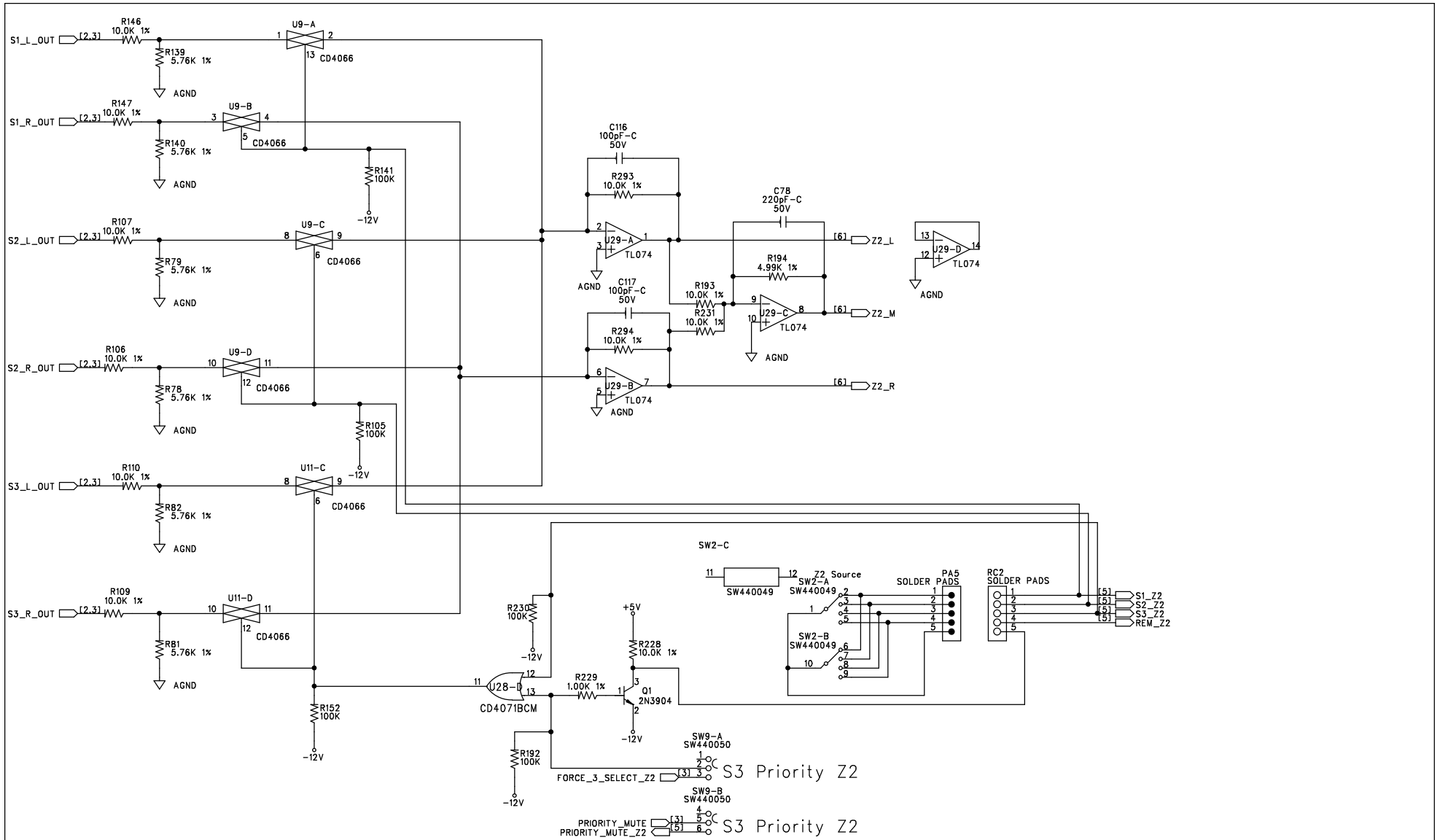
**DATE:** 6/28/00      **FILENAME:** 056365A3.SCH      **SHEET:** 1 OF 10



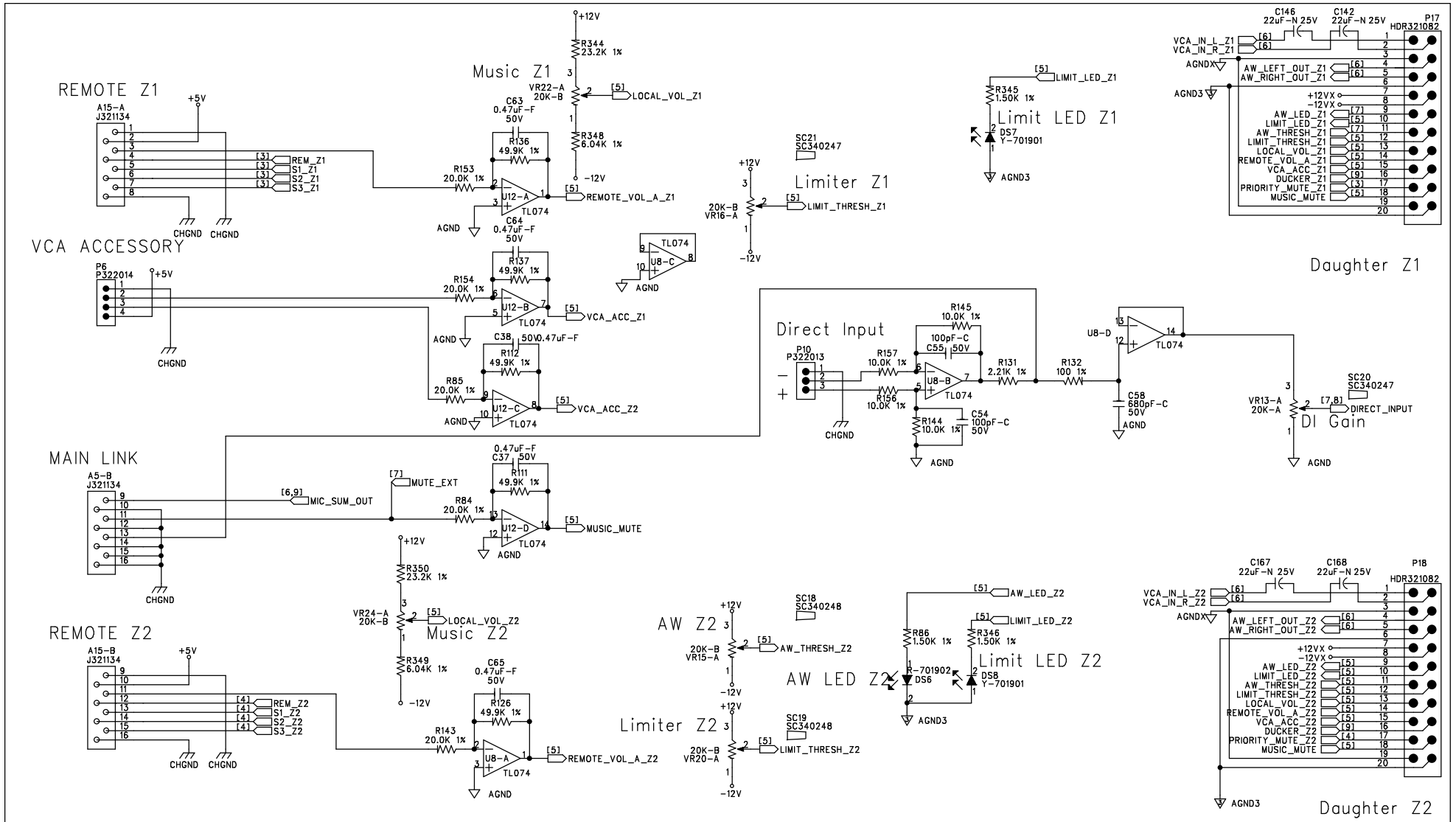
SIZE: A	SHEET TITLE: AUDIO IN	REVISION: A3
DATE: 6/28/00	DRAWING NO: 05-6365	SHEET: 2 OF 10



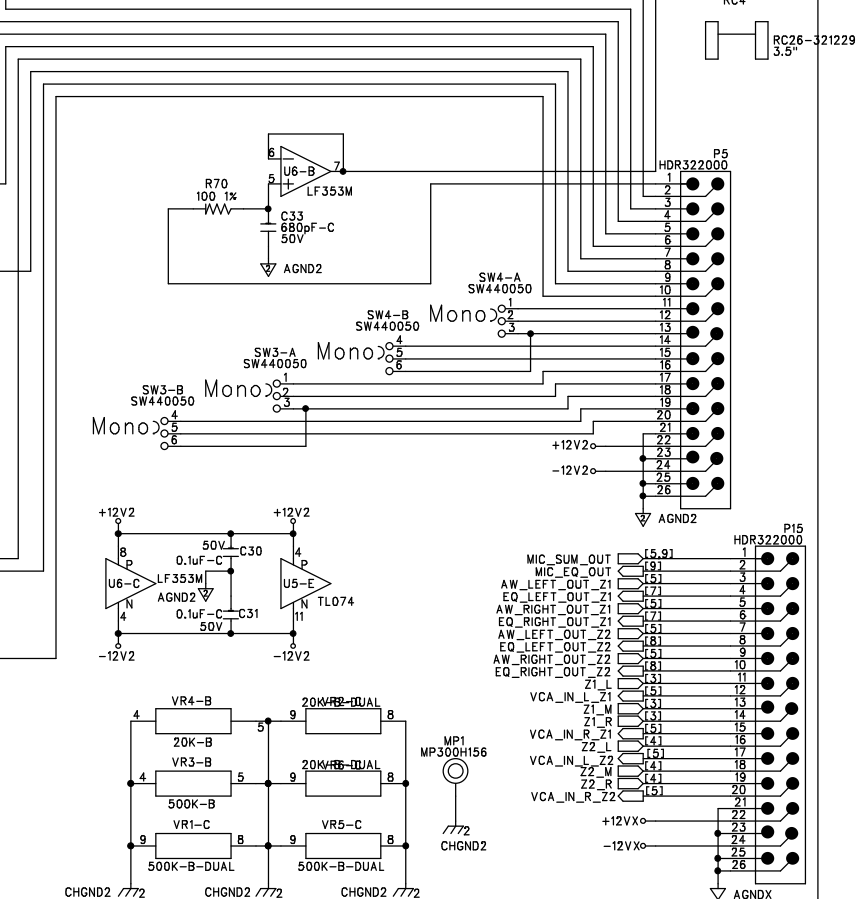
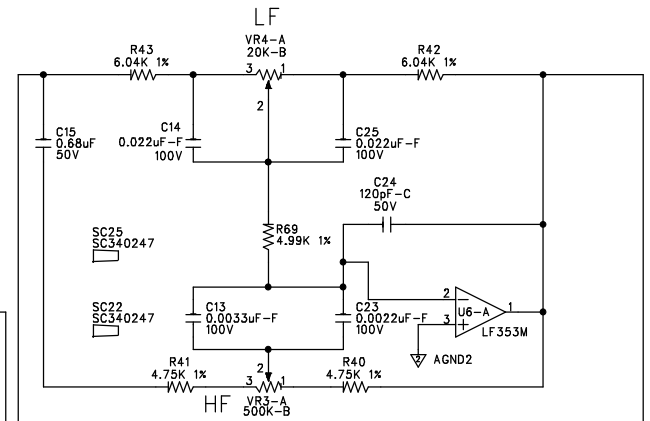
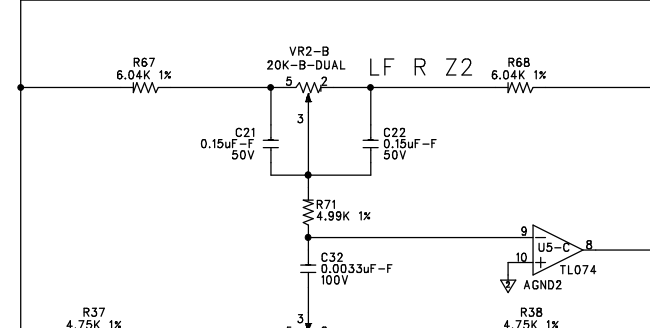
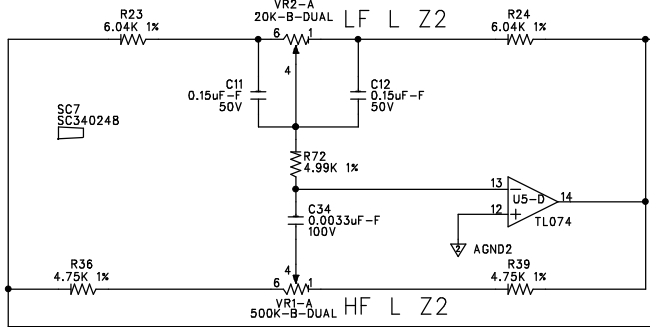
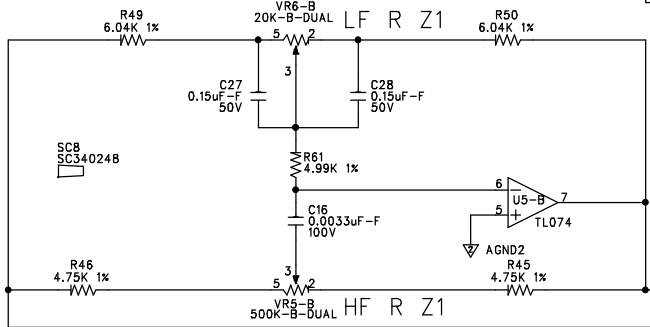
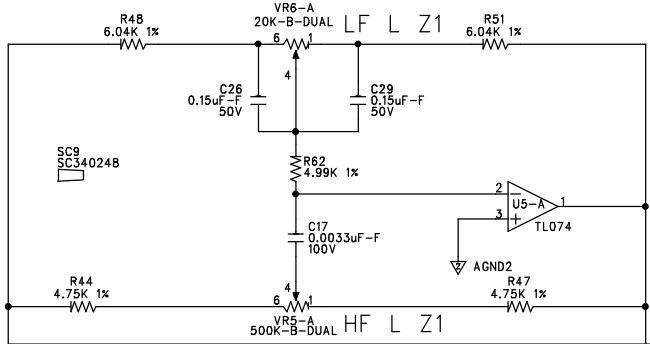
SIZE: A	SHEET TITLE: SOURCE SELECT Z1	REVISION: A3
DATE: 6/28/00	DRAWING NO: 05-6365	SHEET: 3 OF 10



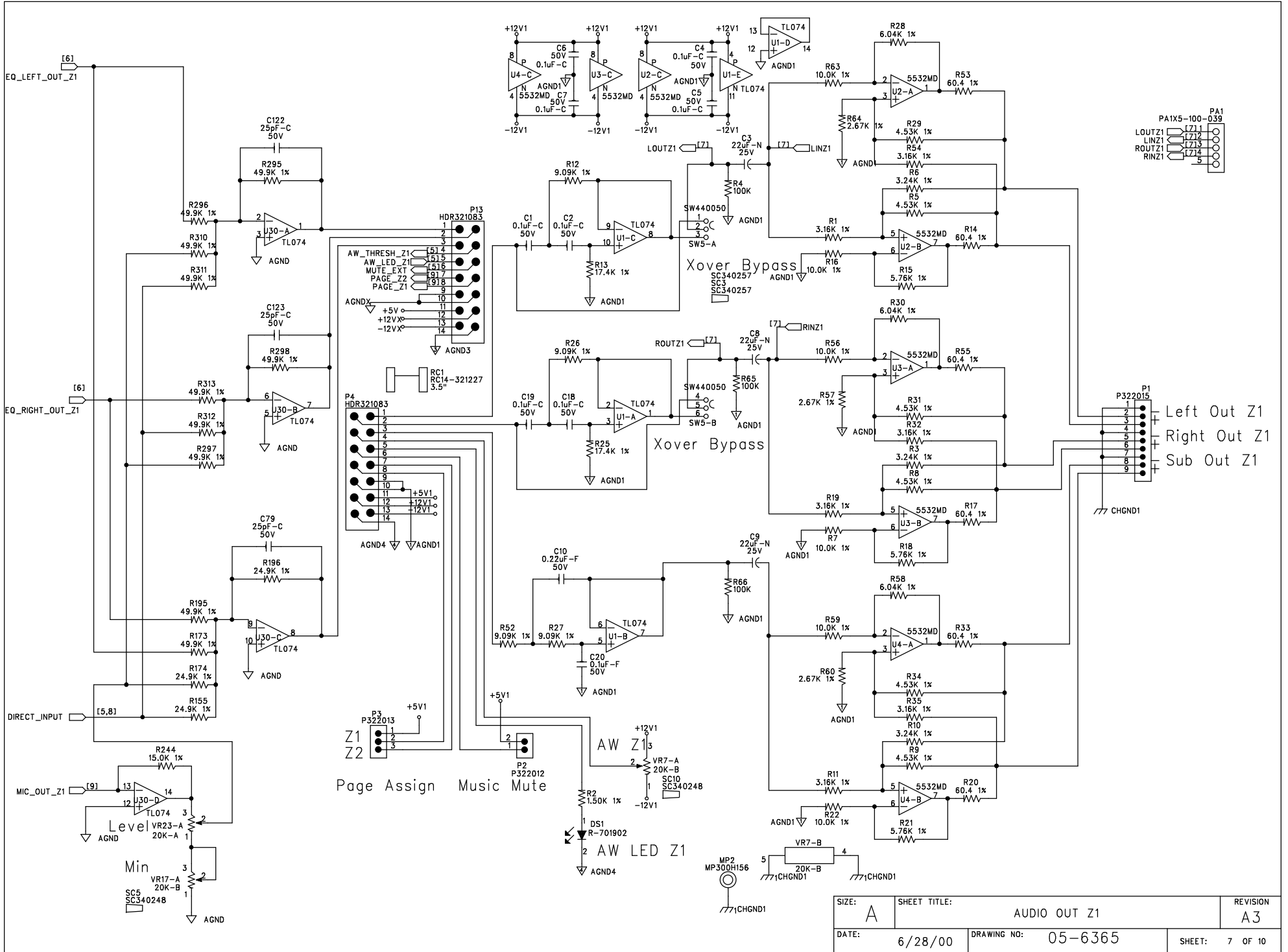
SIZE: A	SHEET TITLE: SOURCE SELECT Z2	REVISION: A3
DATE: 6/28/00	DRAWING NO: 05-6365	SHEET: 4 OF 10



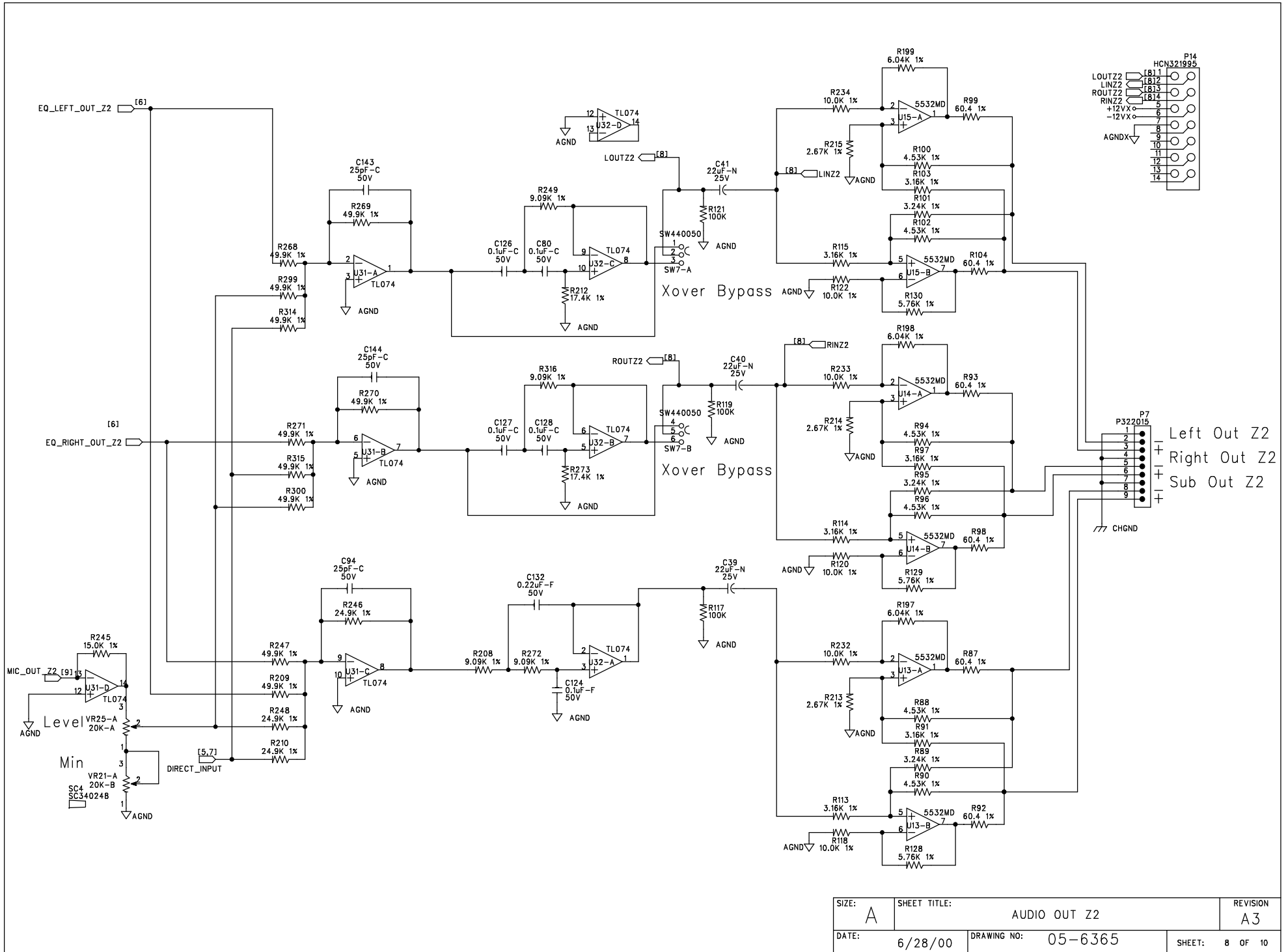
SIZE: A	SHEET TITLE: EXTERNAL CONTROLS ZONES 1 AND 2	REVISION A3
DATE: 6/28/00	DRAWING NO: 05-6365	SHEET: 5 OF 10



SIZE: A	SHEET TITLE: MUSIC EQ - ZONE 1 AND ZONE 2	REVISION: A3
DATE: 6/28/00	DRAWING NO: 05-6365	SHEET: 6 OF 10

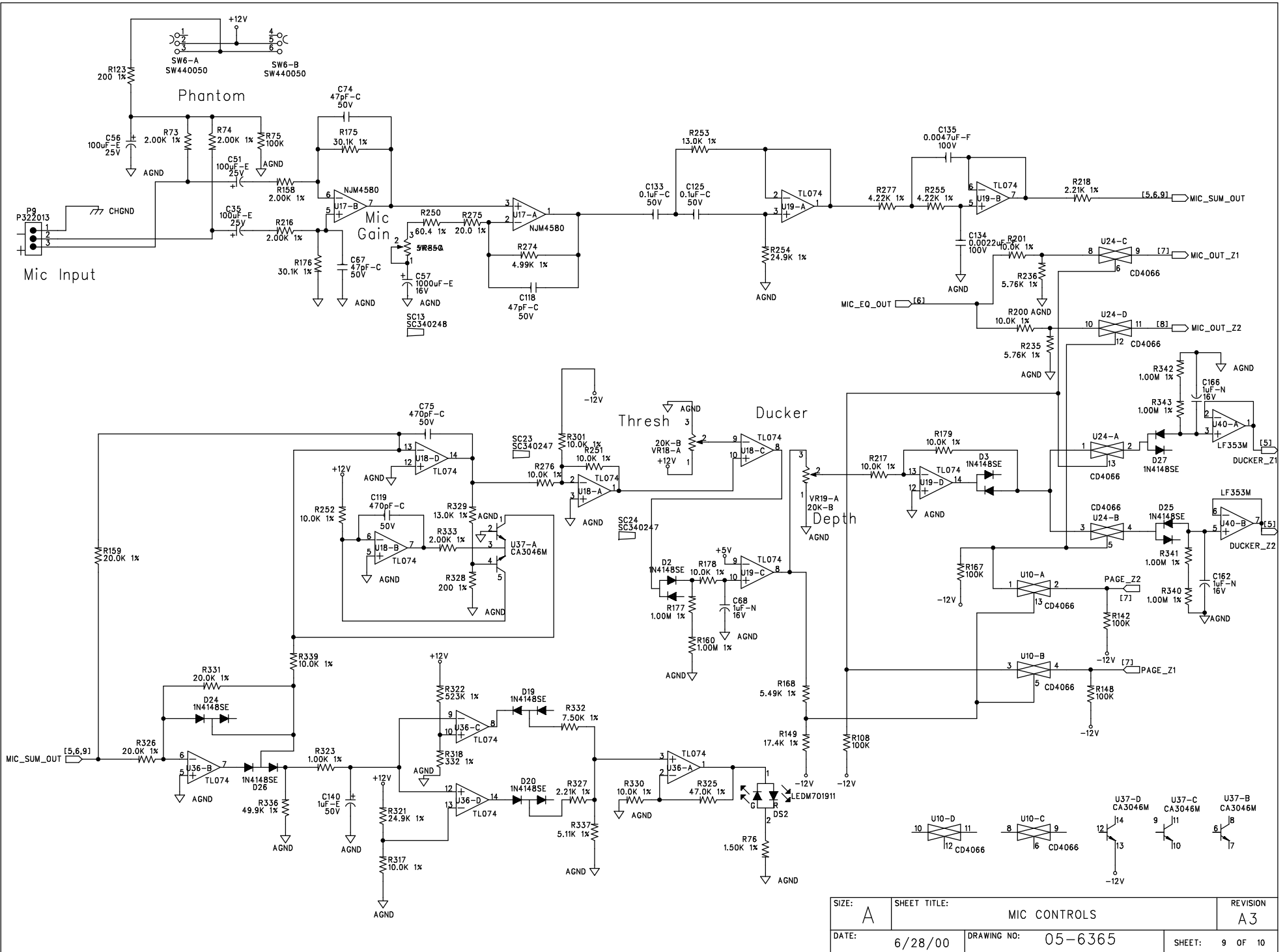


SIZE: A	SHEET TITLE: AUDIO OUT Z1	REVISION: A3
DATE: 6/28/00	DRAWING NO: 05-6365	SHEET: 7 OF 10

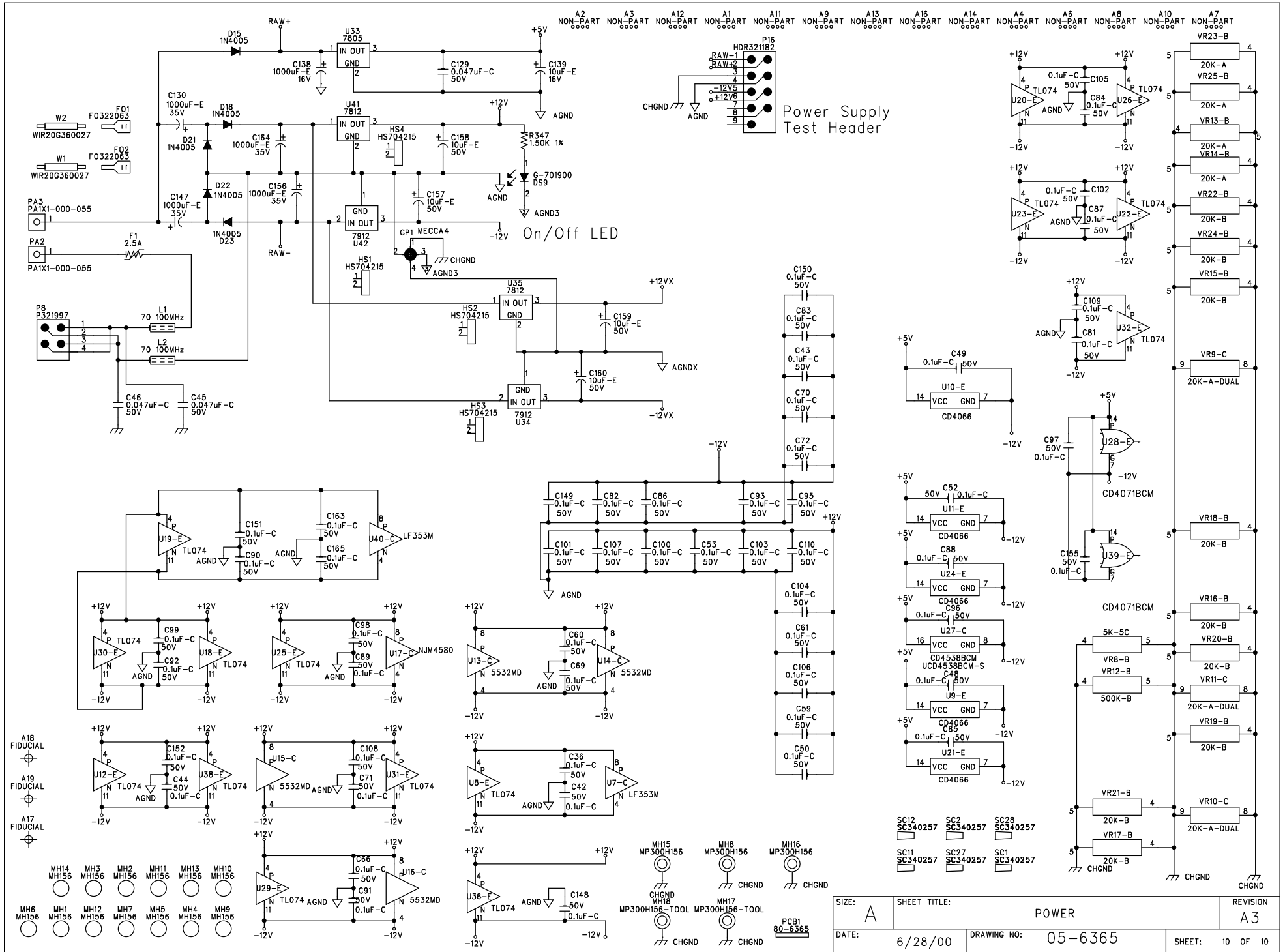


SIZE: A	SHEET TITLE: AUDIO OUT Z2	REVISION: A3
DATE: 6/28/00	DRAWING NO: 05-6365	SHEET: 8 OF 10





SIZE: A	SHEET TITLE: MIC CONTROLS	REVISION: A3
DATE: 6/28/00	DRAWING NO: 05-6365	SHEET: 9 OF 10



SIZE: A	SHEET TITLE: POWER	REVISION: A3
DATE: 6/28/00	DRAWING NO: 05-6365	SHEET: 10 OF 10

Bill Of Materials for 056365A3.SCH on Thu Jun 29 15:17:11 2000

Qty	Reference	HMG#	Description	Audit	Schematic Part	PCB Decal
1	PCB1	80-6365	PCB 80-6365 JBL Z32S BOARD	PT1046	80XXXXXX	PCBNULL
14	A1-4 A6-14 A16	NON-PART	NON-PART, PCB ONLY, BREAKOFF PART	PT1481	BRKOFF	BRKOFF
2	C23 C134	56-0002	CAP, 0.0022uF, FILM, 100V, 5%, RFCC200, AMMO	PT1001	C0.0022UF100JR	RFCC200
5	C13 C16-17 C32 C34	56-0003	CAP, 0.0033uF, FILM, 100V, 5%, RFCC200, AMMO	PT1103	C0.0033UF100JR	RFCC200
1	C135	56-0004	CAP, 0.0047uF, FILM, 100V, 5%, RFED200, AMMO	PT1201	C0.0047UF100JR	RFDC200
2	C14 C25	56-0008	CAP, 0.022uF, FILM, 100V, 5%, RFED200, AMMO	PT1399	C0.022UF100JR	RFED200
1	C161	56-0034	CAP 0.039uF FILM 50V 5% TA	PT2099	C0.039UF50JR	RFEC200
3	C45-46 C129	62-3129	CAP, 0.047uF, CER, 50V, 20%, 0805, T&R	PT1202	C0.047UC50MS	0805
8	C11-12 C21-22 C26-29	56-0013	CAP, 0.15uF, FILM, 50V, 5%, RFEC200, AMMO	PT1199	C0.15UF50JR	RFEC200
70	C1-2 C4-7 C18-19 C30-31 C36 C42-44 C48-50 C52-53 C59-61 C66 C69-72 C80-93 C95-110 C125-128 C133 C148-152 C155 C163 C165	62-3139	CAP, 0.1uF, CER, 50V, 20%, 0805, T&R	PT1087	C0.1UC50MS	0805
2	C20 C124	56-0012	CAP, 0.1uF, FILM, 50V, 5%, RFEC200, AMMO	PT1200	C0.1UF50JR	RFEC200
2	C10 C132	56-0014	CAP, 0.22uF, FILM, 50V, 5%, RFED200, AMMO	PT1077	C0.22UF50JR	RFED200
5	C37-38 C63-65	56-0016	CAP, 0.47uF, FILM, 50V, 5%, RFEF200, AMMO	PT1308	C0.47UF50JR	RFEF200
1	C15	56-0017	CAP, 0.68uF, FILM, 50V, 5%, RFEH200, AMMO	PT1360	C0.68UF50JR	RFEH200
2	C57 C138	60-0064	CAP, 1000uF, ELEC, 16V, 20%, LEAD LENGTH 5mm, REM200P, BULK	PT1334	C1000UE16MR	REM200P
4	C130 C147 C156 C164	60-1073	CAP 1000uF ELEC 35V 20% 105C 13 X 25 BULK	PT1971	C1000UE35MR1	REQ200P
10	C47 C54-55 C116-117 C136-137 C141 C153-154	62-3503	CAP, 100pF, CER, 50V, 5%, COG, 0805, T&R	PT1786	C100PC50JS	0805
3	C35 C51 C56	60-0055	CAP, 100uF, ELEC, 25V, 20%, REG200P, AMMO	PT1407	C100UE25MR	REG200P
1	C139	60-0049-01	CAP 10uF ELEC 16V 20% 5x7 0.2"LS TA	PT1080	C10UE16MR	RED200P
1	C73	60-0403	CAP, 10uF, ELEC, 25V, 10%, REE200P, AMMO	PT1208	C10UE25KR	REE200P
1	C62	60-0050-01	CAP, 10uF, ELEC, 25V, 20%, RED200P, AMMO	PT1205	C10UE25MR	RED200P
4	C157-160	60-1074	CAP 10uF ELEC 50V 20% 105C 5 X 11 TA	PT1972	C10UE50MR1	REE200P
1	C24	62-3135	CAP, 120pF, CER, 50V, 5%, 0805, T&R	PT1440	C120PC50JS	0805
4	C111-112 C115 C140	60-0044-01	CAP, 1uF, ELEC, 50V, 20%, RED200P, AMMO	PT1079	C1UE50MR	RED200P
3	C68 C162 C166	60-0046-01	CAP, 1uF, ELEC-NP, 16V, 20%, REE200, AMMO	PT1447	C1UN16MR	REE200
2	C78 C145	62-3138	CAP, 220pF, CER, 50V, 10%, 0805, T&R	PT1286	C220PC50KS	0805
10	C3 C8-9 C39-41 C142 C146 C167-168	60-0402	CAP, 22uF, ELEC, NON-POL, 25V, 20%, REG200, AMMO	PT1084	C22UN25MR	REG200
6	C79 C94 C122-123 C143-144	62-0001	CAP, 25pF, CER, 50V, 5%, RCAC200, AMMO	PT1768	C25PC50JR	RCAC200
2	C75 C119	62-3133	CAP, 470pF, CER, 50V, 10%, 0805, T&R	PT1086	C470PC50KS	0805
9	C67 C74 C76-77 C113-114 C118 C120-121	62-3132	CAP, 47pF, CER, 50V, 5%, 0805, T&R	PT1085	C47PC50JS	0805
1	C131	60-0054-01	CAP, 47uF, ELEC, 16V, 20%, REE200P, AMMO	PT1108	C47UE16MR	REE200P
2	C33 C58	62-3141	CAP, 680pF, CER, 50V, 5%, 0805, T&R	PT1756	C680PC50JS	0805
5	D15 D18 D21-23	70-0017	DIO, 1N4005, 600V, 1 AMP, RDB200, AMMO	PT1455	D1N4005-R	RDB200
22	D1-14 D16-17 D19-20 D24-27	70-0113	DIO, MMBD4148SE, DUAL DIODE, 75V, 600mA, SOT-23, T&R	PT1326	D1N4148SE-S	SOT-23
1	F1	32-0024	FUSE, 2.5A, RESETTABLE FUSE, POLYSWITCH, BULK	PT1600	F2.5A320024	FUSE2
3	A17-19	NON-PART	NON-PART, FIDUCIAL, TARGET FOR AUTO INSERTION	PT1271	FIDUCIAL	FIDUCIAL
2	FO1-2	32-2063	FAST ON, HOUSING, FITS .186 X .032 TAB, 22-18 GAGE WIRE, RED	PT1642	FO322063	PCBNULL
1	P14	32-1995	HCN CONN 14 PIN FEM VRT MNT	PT2172	HCN321995	HC72
2	P17-18	32-1082	HDR 20 PIN 0.1" SPC 2 X 10 VERT MALE	PT2211	HDR321082	HC102
2	P4 P13	32-1083	HDR, 14 PIN, 0.1" SPC, 2 X 7, VERT, MALE	PT1074	HDR321083	HC72
1	P16	32-1182	HDR, 9 PIN, 0.1" SPC, 1 X 5, PIN 10 MISSING, VERT, MALE	PT1120	HDR321182	HDR321182
2	P5 P15	32-2000	HDR, 26 PIN, 0.1" SPC, 2 X 13, VERT, MALE	PT1298	HDR322000	HC132
1	P12	32-2116	HDR, 3 PIN, 0.1" SPC, 1 X 3, VERT, MALE	PT1531	HDR322116	HC3M
4	HS1-4	70-4215	HEATSINK, TO-220, VERT	PT1339	HS704215	HS704215
2	A5 A15	32-1134	CON JACK RJ45 DUAL 8 PIN RA PCB MOUNT	PT1911	J321134	JRJ45_8P_DUAL

## 05-6365-A3

3	J1-3	32-3224	CON JACK RCA DUAL PCB MOUNT RED-WHITE	PT1953	J323224	J320110
1	JP1	32-1075	JUMPER, MINI, .100 SPC	PT1415	JP321075	PCBNUL
1	DS9	70-1900	LED GRN R/A ANTI-TIP HOUSING	PT2043	LEDG701900	D701900
4	DS2-5	70-1911	LED MULTI-COLOR RED/GRN R/A ANTI-TIP	PT2049	LEDM701911	D701902
2	DS1 DS6	70-1902	LED, RED, R/A, ANTI-TIP HOUSING	PT1133	LEDR701902	D701902
2	DS7-8	70-1901	LED YEL R/A ANTI-TIP HOUSING	PT2104	LEDY701901	D701901
2	L1-2	26-0215	IND, FERRITE BEAD, 70 OHM @ 100MHZ , RIC200, AMMO	PT1262	LFB260215	RIC200
1	GP1	NON-PART	NON-PART, MECCA GND/PWR TIE POINT, 4 POS	PT1043	MECCA4	MECCA4
13	MH1-7 MH9-14	NON-PART	NON-PART, MOUNTING HOLE, 0.156" NON-PLATED,#6	PT1044	MH156	MH156
5	MH8 MH15-16 MP1-2	NON-PART	NON-PART, MECHANICAL PLATED HOLE, 300 PAD, 156 HOLE, #6	PT1045	MP300H156	MP300H156
2	MH17-18	NON-PART	NON-PART, TOOLING PIN HOLE, PLATED, 156MIL HOLE, 300MIL PAD	PT1417	MP300H156-TOOL	MP300H156-TOOL
1	P8	32-1997	CON PLUG 4 PIN 3MM SPC 2 X 2 R/A MALE	PT1983	P321997	HC22H118LSPM
1	P2	32-2012	CON PLUG EURO 1 X 2 .200 R/A MALE	PT1936	P322012	EURO1X2R200
4	P3 P9-11	32-2013	CON PLUG EURO 1 X 3 .200 R/A MALE	PT1935	P322013	EURO1X3R200
1	P6	32-2014	CON PLUG EURO 1 X 4 .200 R/A MALE	PT1934	P322014	EURO1X4R200
2	P1 P7	32-2015	CON PLUG EURO 1 X 9 3.5mm R/A MALE	PT1933	P322015	EURO1X9R138
2	PA2-3	NON-PART	NON-PART, PAD ARRAY, 1 PIN, 0.055" HOLE	PT1536	PA1X1-000-055	PA1X1-000-055
4	PA4-5 RC2-3	NON-PART	NON-PART SOLDER PADS FOR BREAKOFF BOARD	PT2178	PA1X5-100-000	PA1X5-100-000
1	PA1	NON-PART	NON-PART, PAD ARRAY, 5 PIN, 0.100" SPACING, 0.039" HOLE	PT1547	PA1X5-100-039	PA1X5-100-039
2	Q1-2	70-1058	XSTR, 2N3904, NPN, SOT-23, T&R	PT1203	Q2N3904-S	SOT-23
12	R211 R221 R227 R229	52-4505	RES 1.00K 1% 1/10W SM 0805 TA	PT1037	R1.00KC1-0805	0805
	R237 R242 R265 R280					
	R286 R290 R292 R323					
6	R160 R177 R340-343	52-1004	RES 1.00M 1% 1/10W SM 0805 TA	PT2201	R1.00M-C1-0805	0805
9	R2 R76-77 R80 R83	52-3208	RES 1.50K 1% 1/10W SM 0805 TA	PT1733	R1.50KC1-0805	0805
	R86 R345-347					
73	R7 R16 R22 R56 R59	52-4500	RES 10.0K 1% 1/10W SM 0805 TA	PT1034	R10.0KC1-0805	0805
	R63 R106-107					
	R109-110 R116 R118					
	R120 R122 R125 R127					
	R138 R144-147					
	R150-151 R156-157					
	R162-164 R166 R172					
	R178-182 R188-190					
	R193 R200-201					
	R204-206 R217					
	R223-224 R228					
	R231-234 R243					
	R251-252 R276					
	R281-282 R293-294					
	R301-303 R305-306					
	R309 R317 R319 R324					
	R330 R334-335 R339					
2	R70 R132	52-3235	RES 100 1% 1/10W SM 0805 TA	PT1706	R100-C1-0805	0805
22	R4 R65-66 R75 R105	50-1504	RES 100K 5% 1/10W SM 0805 TA	PT1096	R100KC5-0805	0805
	R108 R117 R119 R121					
	R135 R141-142 R148					
	R152 R167 R192 R222					
	R230 R239 R260					
	R266-267					
2	R253 R329	52-4530	RES 13.0K 1% 1/10W SM 0805 TA	PT1526	R13.0KC1-0805	0805
2	R244-245	52-3233	RES 15.0K 1% 1/10W SM 0805 TA	PT1708	R15.0KC1-0805	0805
7	R13 R25 R149 R169	52-3237	RES 17.4K 1% 1/10W SM 0805 TA	PT1705	R17.4KC1-0805	0805
	R212 R273 R308					
5	R73-74 R158 R216	52-4506	RES 2.00K 1% 1/10W SM 0805 TA	PT1038	R2.00KC1-0805	0805
	R333					
3	R131 R218 R327	52-3230	RES 2.21K 1% 1/10W SM 0805 TA	PT1711	R2.21KC1-0805	0805
9	R57 R60 R64 R161	52-4507	RES 2.67K 1% 1/10W SM 0805 TA	PT1039	R2.67KC1-0805	0805
	R165 R171 R213-215					
1	R275	52-3240	RES 20.0 1% 1/10W SM 0805 TA	PT1694	R20.0-C1-0805	0805
17	R84-85 R143	52-4501	RES 20.0K 1% 1/10W SM 0805 TA	PT1035	R20.0KC1-0805	0805
	R153-154 R159 R256					
	R261 R263 R278-279					
	R285 R289 R304 R307					

	R326 R331							
2	R123 R328	52-3224	RES 200 1% 1/10W SM 0805 TA		PT1717 R200-C1-0805	0805		
2	R344 R350	52-0318	RES 23.2K 1% 1/10W SM 0805 TA		PT2069 R23.2KC1-0805	0805		
9	R124 R155 R174 R196 R210 R246 R248 R254 R321	52-3222	RES 24.9K 1% 1/10W SM 0805 TA		PT1719 R24.9KC1-0805	0805		
12	R1 R11 R19 R32 R35 R54 R91 R97 R103 R113-115	52-4508	RES 3.16K 1% 1/10W SM 0805 TA		PT1129 R3.16KC1-0805	0805		
6	R3 R6 R10 R89 R95 R101	52-4509	RES 3.24K 1% 1/10W SM 0805 TA		PT1040 R3.24KC1-0805	0805		
2	R175-176	52-3220	RES 30.1K 1% 1/10W SM 0805 TA		PT1721 R30.1KC1-0805	0805		
1	R238	52-3219	RES 33.2K 1% 1/10W SM 0805 TA		PT1722 R33.2KC1-0805	0805		
1	R318	52-3232	RES 332 1% 1/10W SM 0805 TA		PT1709 R332-C1-0805	0805		
2	R255 R277	52-3203	RES 4.22K 1% 1/10W SM 0805 TA		PT1738 R4.22KC1-0805	0805		
12	R5 R8-9 R29 R31 R34 R88 R90 R94 R96 R100 R102	52-4510	RES 4.53K 1% 1/10W SM 0805 TA		PT1130 R4.53KC1-0805	0805		
10	R36-41 R44-47	52-4529	RES 4.75K 1% 1/10W SM 0805 TA		PT2087 R4.75KC1-0805	0805		
8	R61-62 R69 R71-72 R194 R274 R320	52-4511	RES 4.99K 1% 1/10W SM 0805 TA		PT1041 R4.99KC1-0805	0805		
4	R219 R225 R240 R325	52-3207	RES 47.0K 1% 1/10W SM 0805 TA		PT1734 R47.0KC1-0805	0805		
3	R257 R262 R264	52-3214	RES 475K 1% 1/10W SM 0805 TA		PT1961 R475KC1-0805	0805		
35	R111-112 R126 R136-137 R173 R183 R186-187 R191 R195 R207 R209 R247 R268-271 R283-284 R287-288 R295-300 R310-315 R336	52-4567	RES 49.9K 1% 1/10W SM 0805 TA		PT2012 R49.9KC1-0805	0805		
1	R202	52-4504	RES 499 1% 1/10W SM 0805 TA		PT1102 R499-C1-0805	0805		
1	R337	52-3206	RES 5.11K 1% 1/10W SM 0805 TA		PT1735 R5.11KC1-0805	0805		
2	R168 R291	52-3204	RES 5.49K 1% 1/10W SM 0805 TA		PT1737 R5.49KC1-0805	0805		
23	R15 R18 R21 R78-79 R81-82 R128-130 R133-134 R139-140 R184-185 R220 R226 R235-236 R241 R258-259	52-4512	RES 5.76K 1% 1/10W SM 0805 TA		PT1131 R5.76KC1-0805	0805		
1	R322	52-3246	RES 523K 1% 1/10W SM 0805 TA		PT1699 R523KC1-0805	0805		
18	R23-24 R28 R30 R42-43 R48-51 R58 R67-68 R197-199 R348-349	52-4513	RES 6.04K 1% 1/10W SM 0805 TA		PT1132 R6.04KC1-0805	0805		
13	R14 R17 R20 R33 R53 R55 R87 R92-93 R98-99 R104 R250	52-4503	RES 60.4 1% 1/10W SM 0805 TA		PT1128 R60.4-C1-0805	0805		
1	R170	50-1536	RES 68K 5% 1/10W SM 0805 TA		PT1031 R68KC5-0805	0805		
2	R203 R332	52-4517	RES 7.50K 1% 1/10W SM 0805 TA		PT1790 R7.50KC1-0805	0805		
1	R338	52-4556	RES 75.0K 1% 1/10W SM 0805 TA		PT1811 R75.0KC1-0805	0805		
8	R12 R26-27 R52 R208 R249 R272 R316	52-4558	RES 9.09K 1% 1/10W SM 0805 TA		PT1806 R9.09KC1-0805	0805		
1	RC1	32-1227	RIBBON CABLE, 14 COND, 0.1 SPC, 3.5" LONG, CONNECTOR ON BOTH ENDS		PT1075 RC14-321227	PCBNULL		
1	RC4	32-1229	RIBBON CABLE 26 COND 0.1 SPC 3.5" LONG CONN BOTH ENDS		PT2210 RC26-321229	PCBNULL		
7	SC20-26	34-0247-A	SWITCH CAP LONG TWEAKER JBL Z32S		PT2207 SC340247	SC340247		
14	SC4-10 SC13-19	34-0248	SWITCH CAP TWEAKER JBL Z32S		PT2180 SC340248	SC340248		
7	SC1-3 SC11-12 SC27-28	34-0257	SWITCH CAP .195 SQUARE .355 LENGTH		PT2177 SC340257	SC340257		
2	SW1-2	44-0049	SWITCH ROT DP4T 20MM D-SHAFT VERT MOUNT		PT2176 SW440049	SW440049		
7	SW3-9	44-0050	SWITCH DPDT MINI IN-OUT 6 PIN E-SWITCH		PT1256 SW440050	SW440050		
1	T1	26-3604	TRANSFORMER COUPLING 600/600 OHM BULK		PT2045 TR263604	XFR-9		
1	U33	70-4014	V-REG, 7805, +5V, 1.5 AMP, TO-220		PT1591 U7805	TO220(IGO)-V		
2	U35 U41	70-4013	V-REG, 7812, +12V, 1 AMP, TO-220		PT1646 U7812	TO220(IGO)-V		
2	U34 U42	70-4017	V-REG, 7912, -12V, 1 AMP, TO-220		PT1654 U7912	TO220(GIO)-V		

## 05-6365-A3

7	U2-4 U13-16	72-1439	IC, 5532MD, DUAL BIPOLAR OPAMP, SO8-200	PT1306 U5532MD-S	SO8-200
1	U37	72-4331	IC, CA3046M, NPN TRANSISTOR ARRAY, SO14, T&R	PT1051 UCA3046M-S	SO14
5	U9-11 U21 U24	72-5438	IC CD4066 QUAD BILATERAL SWITCH SO14	PT1947 UCD4066BCM-S	SO14
2	U28 U39	72-5440	IC CD4071BCM QUAD 2-INPUT OR SO14	PT2051 UCD4071BCM-S	SO14
1	U27	72-5439	IC CD4538BCM DUAL PREC MONOSTABLE SO16	PT1951 UCD4538BCM-S	SO16
3	U6-7 U40	72-4032	IC, LF353M, DUAL,WIDE BANDWIDTH JFET INPUT OPAMP, SO8	PT1252 ULF353M-S	SO8
1	U17	72-1480	IC, NJM4580, DUAL OP-AMP, SO8	PT1374 UNJM4580-S	SO8
17	U1 U5 U8 U12 U18-20 U22-23 U25-26 U29-32 U36 U38	72-1450	IC, TL074, OP-AMP, QUAD, JFET, -INPUT, SO14, T&R	PT1049 UTL074-S	SO14
3	VR9-11	40-2161	POT 20K A DUAL 14mm ROT 25mm D-SHAFT	PT2007 VR20K402161	VR14-25DH
2	VR2 VR6	40-2162	POT 20K B DUAL 14mm ROT 25mm D-SHAFT	PT2008 VR20K402162	VR14-25DH
11	VR4 VR7 VR15-22 VR24	40-2164	POT 20K B 9mm ROT 25mm D-SHAFT	PT1986 VR20K402164	VR9-25DH
4	VR13-14 VR23 VR25	40-2165	POT 20K A 9mm ROT 25mm D-SHAFT	PT1992 VR20K402165	VR9-25DH
2	VR3 VR12	40-2159	POT 500K B 9mm ROT 25mm D-SHAFT	PT2009 VR500K402159	VR9-25DH
2	VR1 VR5	40-2163	POT 500K B DUAL 14mm ROT 25mm D-SHAFT	PT2010 VR500K402163	VR14-25DH
1	VR8	40-2157	POT 5K 5C 9mm ROT 25mm D-SHAFT	PT2011 VR5K402157	VR9-25DH
2	W1-2	36-0027	WIRE 20 AWG BLK WIRE UL1015 4.75" 2 ENDS	PT2212 WIR20G360027	PCBNUL