



JRX118SP

18 Inch
Compact
Powered
Subwoofer

JRX100

Key Features:

- ▶ The rugged enclosure is constructed from 19 mm (3/4 in) MDF (Medium Density Fiberboard) using advanced adhesives and mechanical fastener technology for durability and improved low-frequency performance. The enclosure is covered in black carpet.
- ▶ Heavy duty, all steel handles are used.
- ▶ A top mounted, cast aluminum 35 mm pole mount receptacle can receive an optional SS3BK pole to facilitate use of the JRX118SP as a base for a mid-high speaker cabinet.
- ▶ Built-in 500 watt (peak), 300 watt (continuous) amplifier. Controls, connectors, and indicators are clearly labeled with large, high-contrast graphics for easy operation in poorly lit environments.
- ▶ Integral, preset limiter prevents clipping distortion. An LED illuminates to indicate that limiting is taking place.
- ▶ Line-level stereo inputs are summed before being sent to the subwoofer's internal amplifier. This feature allows the JRX118SP to operate in stereo systems using a single subwoofer.
- ▶ An integral crossover also provides balanced, line-level, stereo, high-passed outputs to feed powered satellite speakers or an external amplifier for passive satellites.
- ▶ A speaker-level, 1/4" TS phone jack is provided. This input is useful in applications, such as those employing powered mixers, in which it is more practical to bring a full-range, speaker-level signal to the subwoofer amplifier.

The JRX118SP is an 18 inch direct-radiating powered subwoofer. A built-in 500 watt (peak) amplifier accepts stereo or mono line level inputs via balanced, XLR connectors as well as single channel speaker level input via a 1/4 inch phone jack. Integral signal processing includes a stereo crossover and limiting for the internal amplifier. A pair of XLR output connectors may be used to pass the input signals to another system or to send a high-passed, line-level stereo signal to a pair of powered, full-range speakers.



With JR X112M and available SS3BK



The JRX118SP is designed to supplement and extend the low frequency performance of full-range systems in live sound and music playback applications. It is an excellent choice for use with powered full-range speakers or in systems using powered mixers.

Specifications:

System Type:	Powered, 18" compact subwoofer
Frequency Range (-10 dB): ¹	38 Hz - 300 Hz
Frequency Response (±3 dB): ²	55 Hz - 300 Hz
Nominal Impedance:	4 Ω
Rated Maximum SPL: ³	123 dB peak, @1 m (3.3 ft) at 500 watts
Dimensions (H x W x D):	605 mm x 508 mm x 592 mm (23.8 in x 20.0 in x 23.3 in)
Net Weight:	40.4 kg (89 lb) including casters
Shipping Weight:	45 kg (99 lb)
LF Driver:	2043-G
Amplifier Power:	Continuous: 300 watts with < 0.2% THD Peak: 500 watts
Input Connectors:	2 x XLR/F, balanced, line level 1 x 1/4" phone jack, speaker level
Input Impedance:	Nominally 20k Ohms, electronically balanced
Input Sensitivity:	0.5 Vrms for 300 watt output (SUB LEVEL control fully clock-wise)
Maximum Input Level:	INPUTS A & B: +4 dBu (nominal), +22 dBu (max.), one channel driven
Output Connectors:	2 x XLR/M
Crossover:	LPF: 100 Hz, 24 dB / Oct Infrasonic filter: 25 Hz, 18 dB / Oct
Required AC Mains:	50/60 Hz (North American units are 60 Hz only); 120 and 230-240 VAC (±10%) units are available
AC Line Current:	120 volts: 1.4 A at 1/8 power with sine-wave input, 3.6 A at max. power with pink noise input 230-240 volts: 0.7 A at 1/8 power with sine-wave input, 1.8 A at max. power with pink noise input
Power Consumption at Idle:	No more than 20 watts

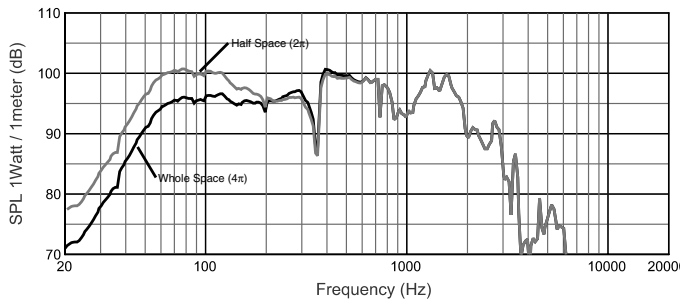
¹ Frequency Range and Frequency Response are based on half-space conditions.

² Calculated half-space (2π) performance based upon peak power capacity.

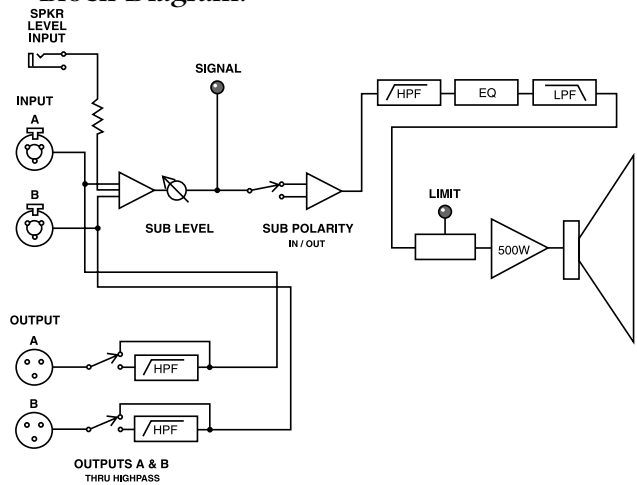
JBL continually engages in research related to product improvement. Some materials, production methods and design refinements are introduced into existing products without notice as a routine expression of that philosophy. For this reason, any current JBL product may differ in some respect from its published description, but will always equal or exceed the original design specifications unless otherwise stated.

JRX118SP 18 Inch Compact Powered Subwoofer

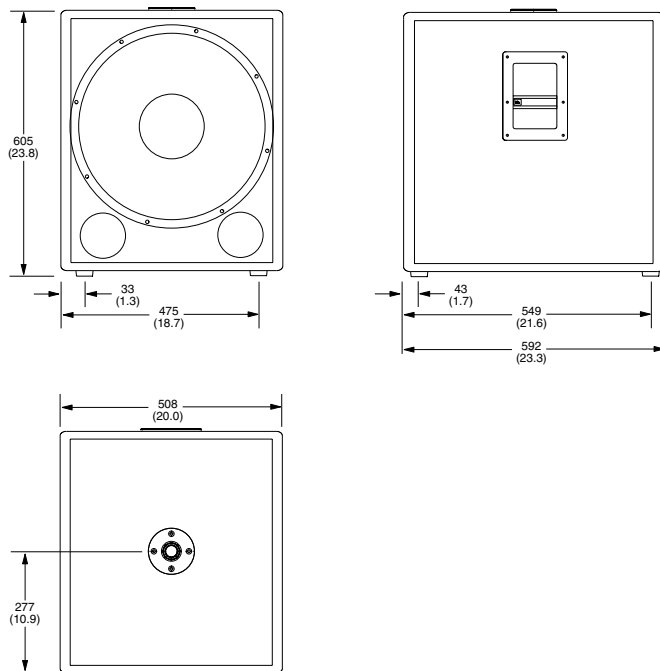
Frequency Response:



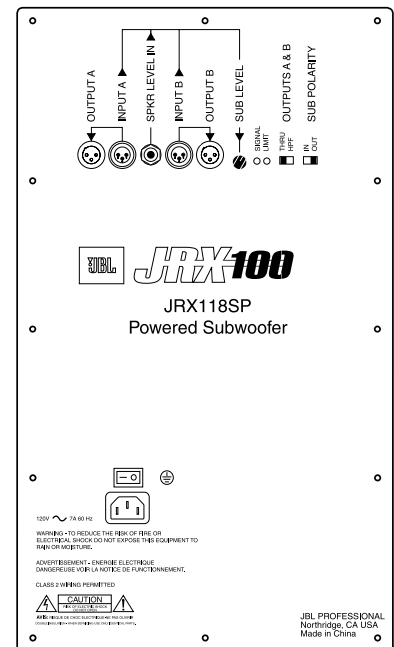
Block Diagram:



Dimensions



Panel:



Dimensions in mm (in)



JBL Professional
8500 Balboa Boulevard, P.O. Box 2200
Northridge, California 91329 U.S.A.

A Harman International Company
© Copyright 2004 JBL Professional

SSJRX118SP
CRP 10M
03/04