

Technical Manual

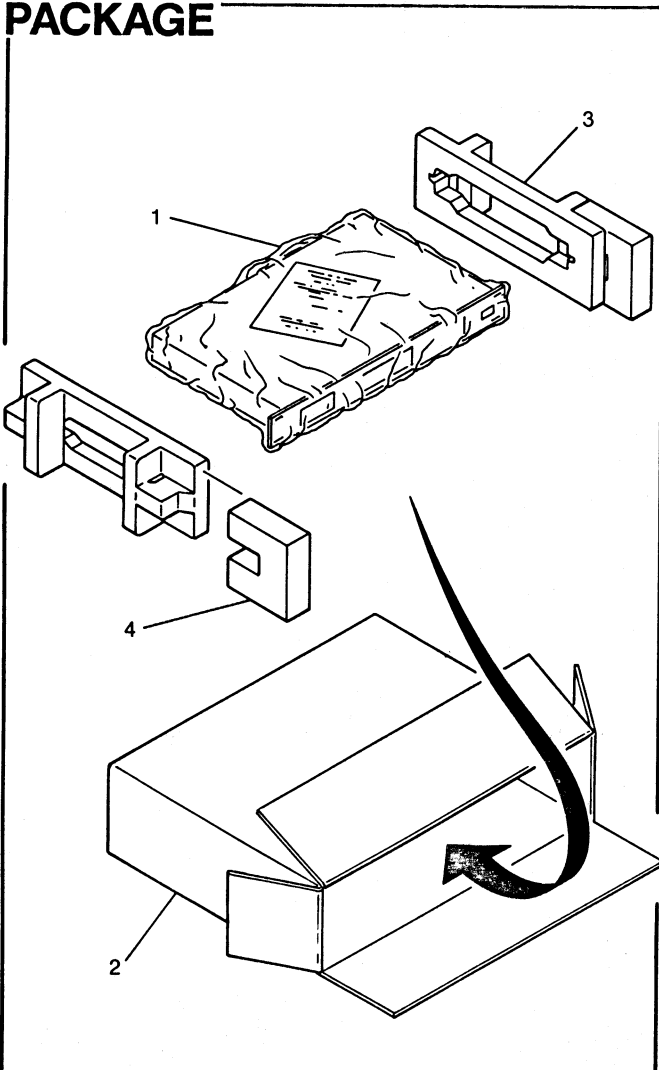


AUDIO DIGITAL TC-5 INDUSTRIAL PROCESSOR

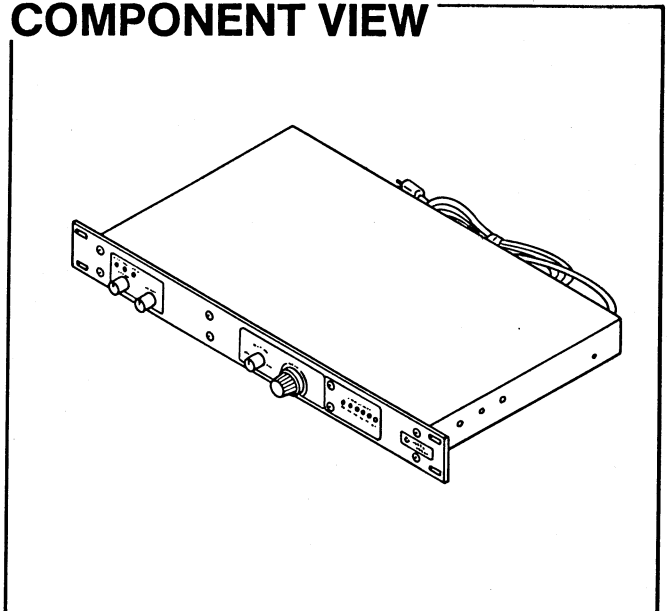
SPECIFICATIONS

- 20-20 kHz bandwidth
- Less than .1 THD + noise @ 1 kHz
- 90 dB Dynamic Range (minimum)
- Parallel and couple jacks for expanding number of outputs
- 500 ms delay time standard
- Delay time internally expandable to over one second.
- Input display and separate adjustments for input/output gain
- Adjustable in .5 millisecond steps
- One rack space
- THD & Noise: Less than .1 THD + noise @ 1 kHz
- Frequency Response: 20-20 kHz bandwidth
- Dynamic Range: 90 dB, A-weighted
- Delayed Capacity: - 500 milliseconds standard
- 1 second with factory option
- Active Balanced Inputs: (1/4" stereo jack) 50k ohm
(can also be unbalanced using mono 1/4" plug)
- Active Balanced Outputs: (1/4" stereo jack) (can also be unbalanced using mono 1/4" plug)
100 ohm impedance will drive 10k ohm load to + 21 dB (at clipping)
will drive 600 ohm load to + 18 dB (at clipping)
Parallel and couple jacks for expanding number of outputs
- Power Supply: 80 Volts AC-145 Volts AC
195 Volts AC-240 Volts AC
- Dimensions: Standard rack mount
44mm x 482mm x 257mm D
(1.75 x 19.0 x 10.12 in. D)
- Shipping Weight: 12 lbs. (5.4 kg.)
- Warranty Information: Refer to the Warranty Statement packed with each product

PACKAGE



COMPONENT VIEW



COMPONENT PARTS LIST

| ITEM | PART NO. | QTY | DESCRIPTION |
|------|-------------|-----|---------------------------------|
| 1 | 550-1824-03 | 1 | POLY BAG, 16x24x.004 |
| 2 | 550-1000-00 | 1 | SHIPPING CARTON, ADD SERIES |
| 3 | 550-0002-00 | 2 | SHIPPING INSERT, UNIV, POLYFOAM |
| 4 | 550-0003-00 | 2 | SHIPPING INSERT, TCX FILL BLOCK |
| 5 | | | |
| 6 | | | |
| 7 | | | |
| 8 | | | |

AUDIO DIGITAL TC-5 REV B

AUDIO DIGITAL TC-5

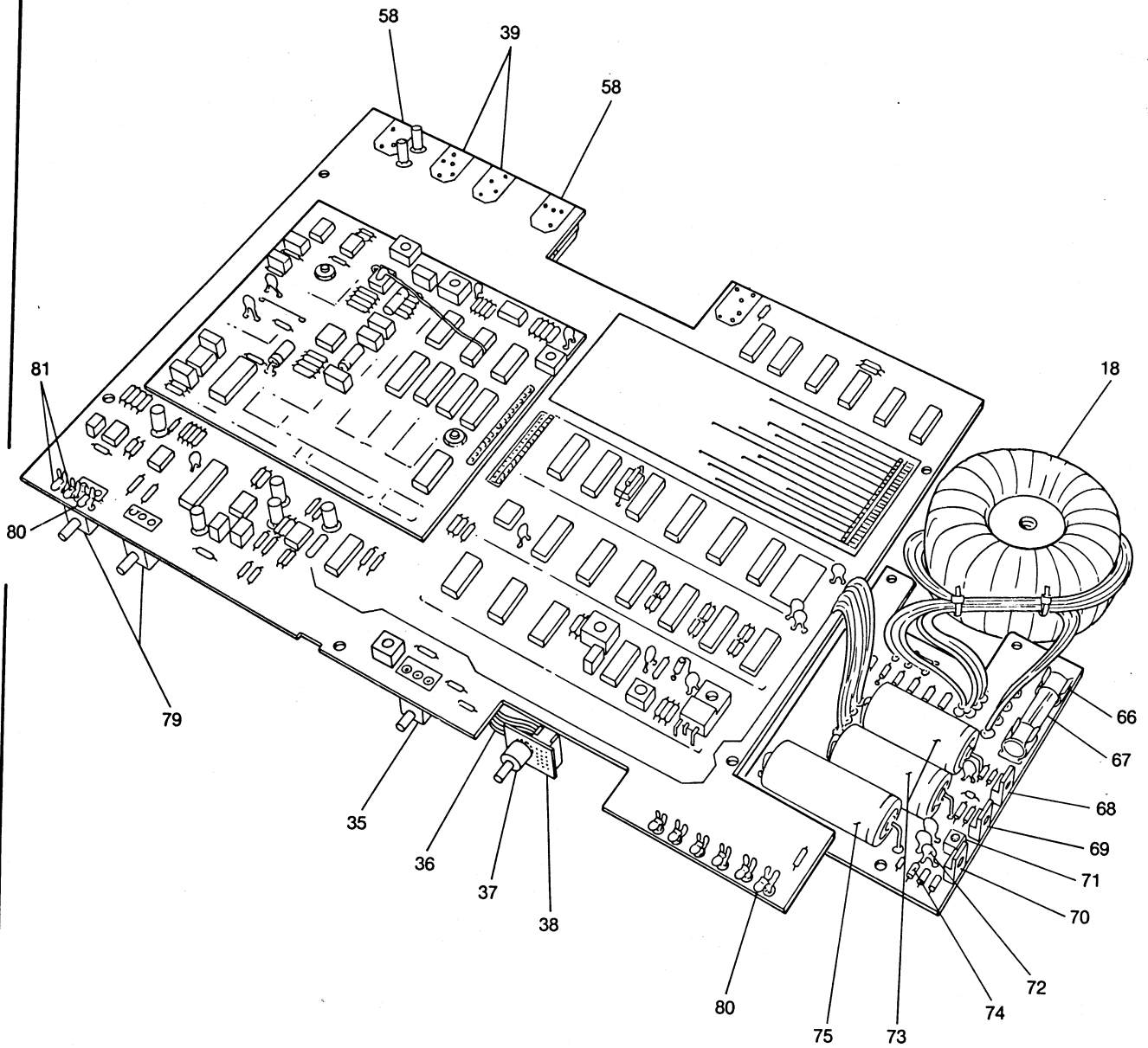
COMPONENT PARTS LIST

| ITEM | PART NO. | QTY | DESCRIPTION |
|------|-------------|-----|--------------------------------------|
| 9 | 530-2440-31 | 10 | 4-40x3/8 PHILLIPS PH BLK OXIDE |
| 10 | 540-0305-00 | 6 | WASHER, #4, INT. TOOTH, LCK, BLK OX. |
| 11 | | 1 | LID |
| 12 | 530-2440-25 | 4 | SCREW, 4-40x3/8, SLT'D PH, NYLON |
| 13 | 540-0306-00 | 1 | WASHER, #6, EXT. TOOTH, LOCK |
| 14 | 530-3440-25 | 3 | SCREW, 4-40x.250, SLT'D PH, STEEL |
| 15 | | | |
| 16 | 535-1032-00 | 1 | NUT, 10-32, HEX |
| 17 | 540-0310-01 | 1 | WASHER, #10, EXT TOOTH, LOCK |
| 18 | 610-2092-02 | 1 | TRANSFORMER, AC LINE, TOROIDAL |
| 19 | 595-2345-00 | 1 | INSUL., TCXA/D, 10 MIL RAG PAPER |
| 20 | 535-1440-00 | 9 | NUT, 4-40 HEX, SELF LK, NYL. INSRT |
| 21 | 540-0304-00 | 3 | WASHER, #4 SHLDR, INSUL. FIBER |
| 22 | 540-0220-02 | 3 | WASHER, T0-220, INSUL. MYLAR |
| 23 | | | |
| 24 | 590-2345-00 | 1 | SERIAL NO. PLATE, ADHES, CUSTOM |
| 25 | 527-0250-25 | 4 | SPACER, .250x1/4 HEX, 4-40, ALUM |
| 26 | 590-0375-00 | 4 | HOLE PLUG, .375 DIA, BLK PLASTIC |
| 27 | 520-0345-00 | 1 | HOLE COVER, TC-X |
| 28 | 450-0775-03 | 1 | CORD, AC LINE, 6', 18/3 SJ, MLD END |
| 29 | | | |
| 30 | | | |
| 31 | | | |
| 32 | 561-0111-01 | 1 | CAP, 11 MM, GREY, W/LINE |
| 33 | 561-0150-01 | 1 | CAP, 15 MM, GREY, PLAIN |
| 34 | 560-0150-01 | 1 | KNOB, 15 MM, PLN W/SKT, 1/8" SHFT |
| 35 | 130-4594-00 | 1 | POT. 25K, LINEAR, 20% |
| 36 | 470-0014-29 | 9 | CABLE, 14 CON, 28AWG, RIBBON |
| 37 | 620-0012-01 | 1 | SWITCH, ROTARY, 12 POS |
| 38 | 425-1403-14 | 2 | HEADER, 14 PIN, PCB TRANS., IDC |
| 39 | 422-0002-01 | 2 | JACK, 1/4 PH, 2 CON SHTG, PC MNT |
| 40 | 590-0005-00 | 1 | STRAIN RELIEF, PLASTIC |
| 41 | 540-0104-00 | 1 | SOLDER LUG, #4 STAR WASHER, BNT |
| 42 | 530-1032-15 | 1 | SCREW, 10-32x1.50, SKT FLT HD, BLK |
| 43 | 530-1440-50 | 4 | SCREW, 4-40x.625, SOC BTN HD, BLK |
| 44 | 515-0005-00 | 1 | FACEPLATE, TC-5 |
| 45 | 560-0110-00 | 3 | KNOB, 11 MM, PLAIN |

| ITEM | PART NO. | QTY | DESCRIPTION |
|------|-------------|-----|-----------------------------------|
| 46 | 561-0111-00 | 2 | CAP, 11 MM, BLK, W/LINE |
| 47 | 530-0632-37 | 8 | SCREW, 6-32x.375, SKT FLT HD, BLK |
| 48 | 527-0812-25 | 5 | SPACER, .812x1/4 HEX, 4-40, ALUM |
| 49 | 505-0345-01 | 1 | CHASSIS, TC-X |
| 50 | | | |
| 51 | | | |
| 52 | | | |
| 53 | | | |
| 54 | | | |
| 55 | | | |
| 56 | | | |
| 57 | | | |
| 58 | 422-0003-00 | 2 | JACK, 1/4 PHONE, 3 CON, PC MNT |
| 59 | | | |
| 60 | | | |
| 61 | | | |
| 62 | | | |
| 63 | | | |
| 64 | | | |
| 65 | | | |
| 66 | 420-0001-00 | 2 | SOCKET, FUSE CLIP |
| 67 | 640-0250-01 | 1 | FUSE, AGC, 1/4 A, 250V, SLO BLO |
| 68 | 325-7915-00 | 1 | VOLTAGE REGULATOR, -15V, T0220 |
| 69 | 325-0340-00 | 1 | VOLTAGE REGULATOR +15V, T0220 |
| 70 | 325-0350-00 | 1 | VOLTAGE REGULATOR, ADJ., T0220 |
| 71 | 140-0502-02 | 1 | POT, 5K, TRIMMER, 10% |
| 72 | 240-0225-00 | 4 | CAPACITOR, 2.2μF, 35V, TANTALUM |
| 73 | 210-0228-50 | 2 | CAPACITOR, 2200μF, 50V, ELECTROL. |
| 74 | 310-5392-01 | 14 | DIODE, PWR RECTIF., 1.5 AMP, 100V |
| 75 | 210-0478-35 | 1 | CAPACITOR, 4700μF, 35V, ELECTROL. |
| 76 | | | |
| 77 | | | |
| 78 | | | |
| 79 | | | |
| 80 | 312-5086-01 | 7 | DIODE, LED, RED, T1 |
| 81 | 312-5286-01 | 2 | DIODE, LED, GREEN, T1 |
| 82 | | | |

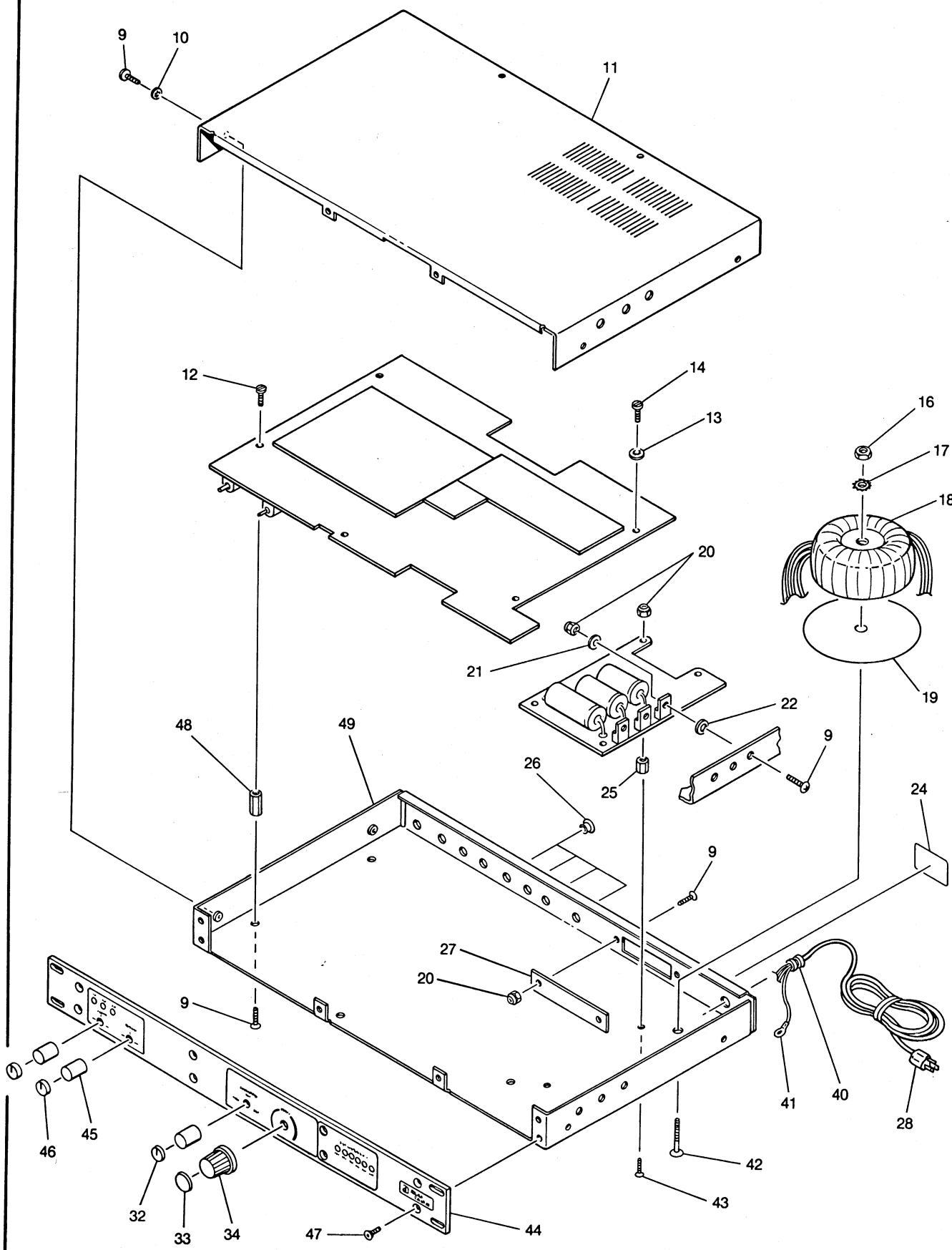
AUDIO DIGITAL TC-5

CIRCUIT BOARDS



AUDIO DIGITAL TC-5

COMPONENT EXPLODED VIEW



AUDIO DIGITAL TC-5