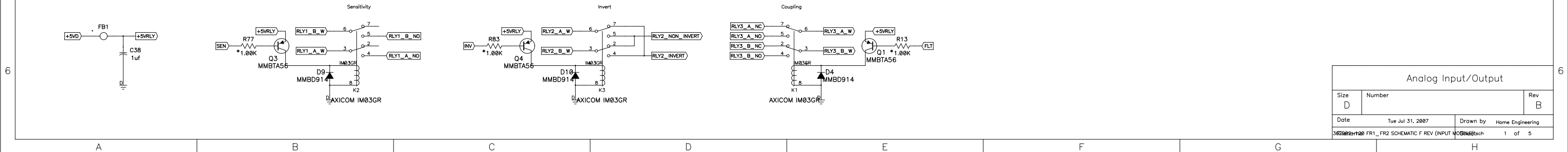
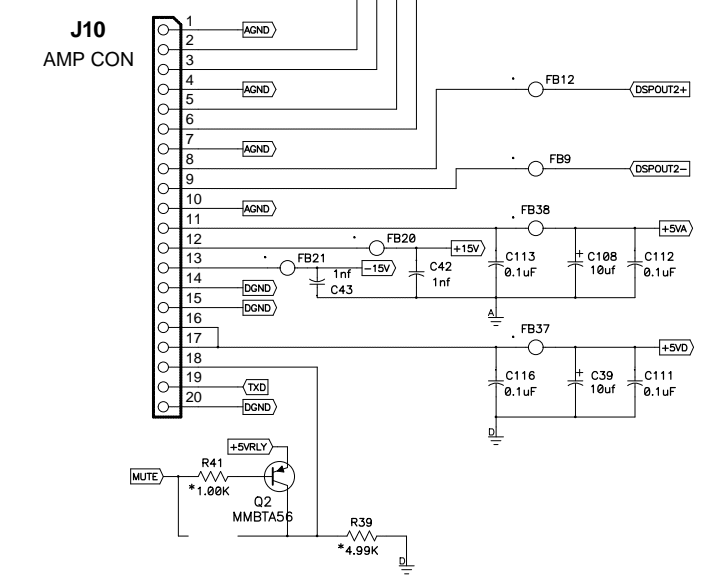
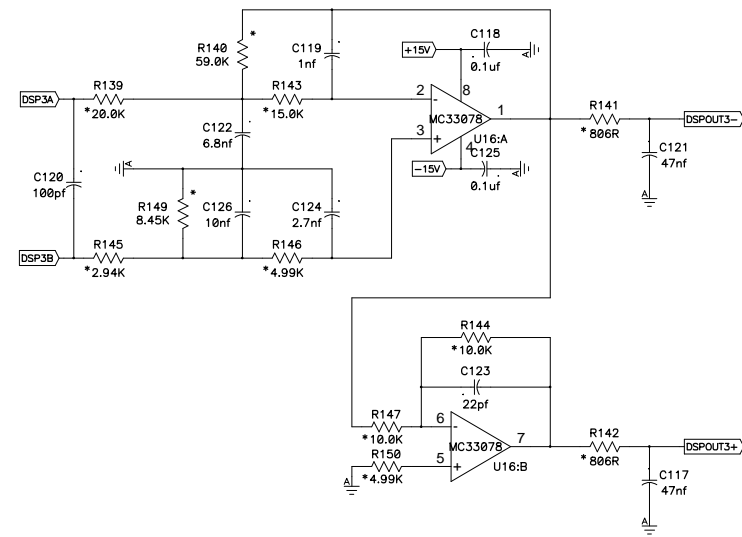
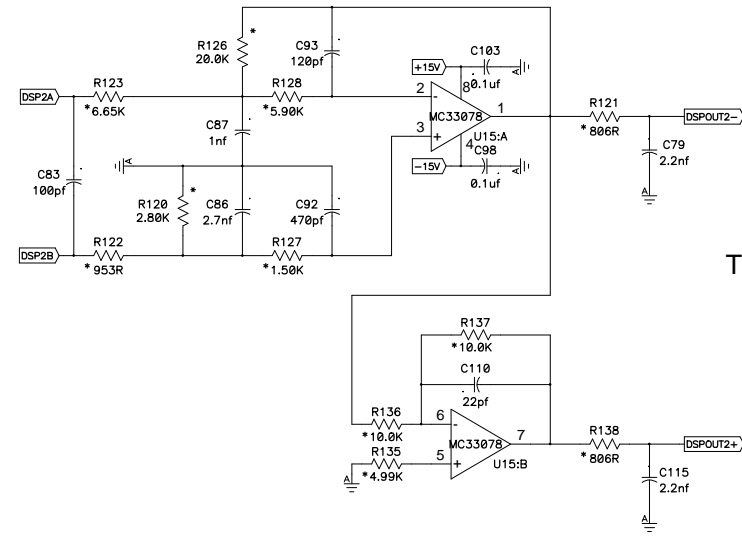
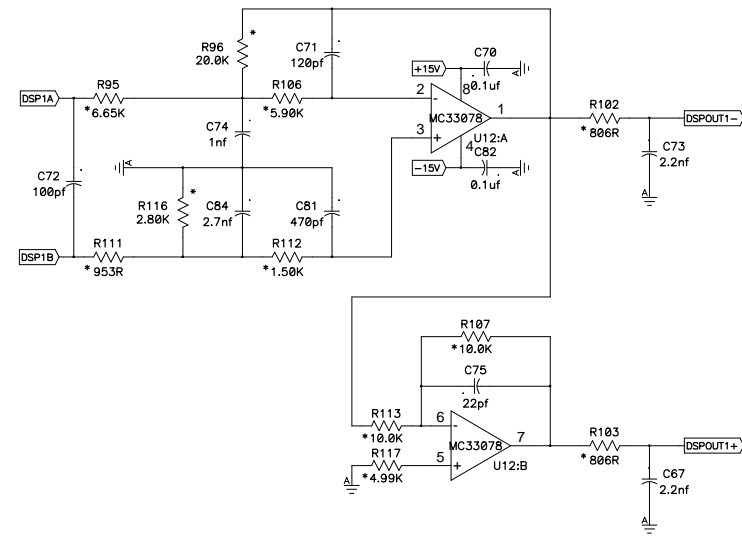


Configuration	Amplifier	DSP Channels	DSP Channels to J10 Pins
FR1	LF, HF	1, 2	Ch1 to 2&3, Ch2 to 8&9, Ch3 to 5&6
FR2	LF, MF, HF	3, 2, 1	Ch3 to 2&3, Ch2 to 5&6, Ch1 to 8&9
SW1	LF	1	Ch1 to 2&3, Ch2 to 8&9, Ch3 to 5&6

Amplifier to J10 Pins LF to 2&3, MF to 5&6, HF to 8&9

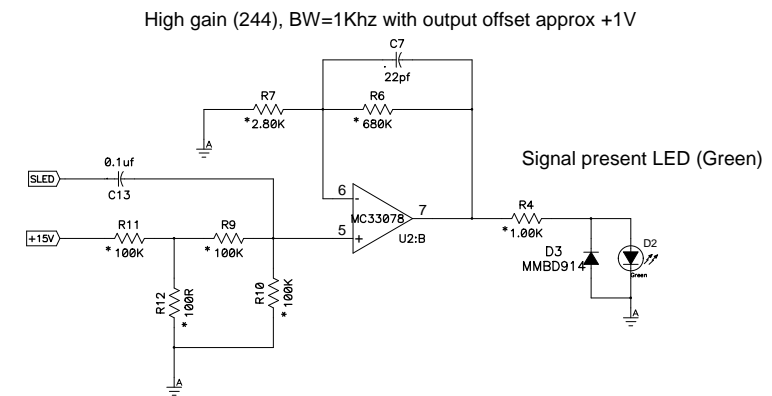


Analog Input/Output		
Size D	Number	Rev B
Date Tue Jul 31, 2007	Drawn by Home Engineering	
362002120 FR1_FR2 SCHEMATIC F REV (INPUT MODULE) sch 1 of 5		

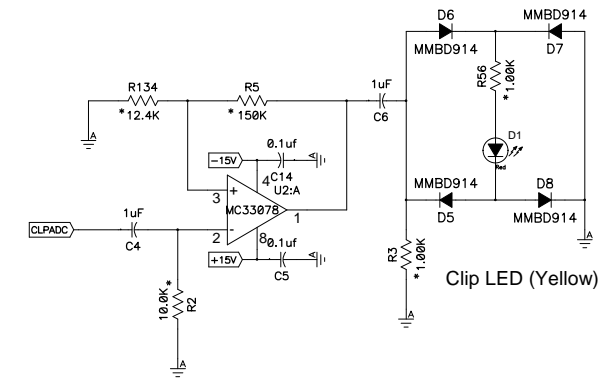


From DSP

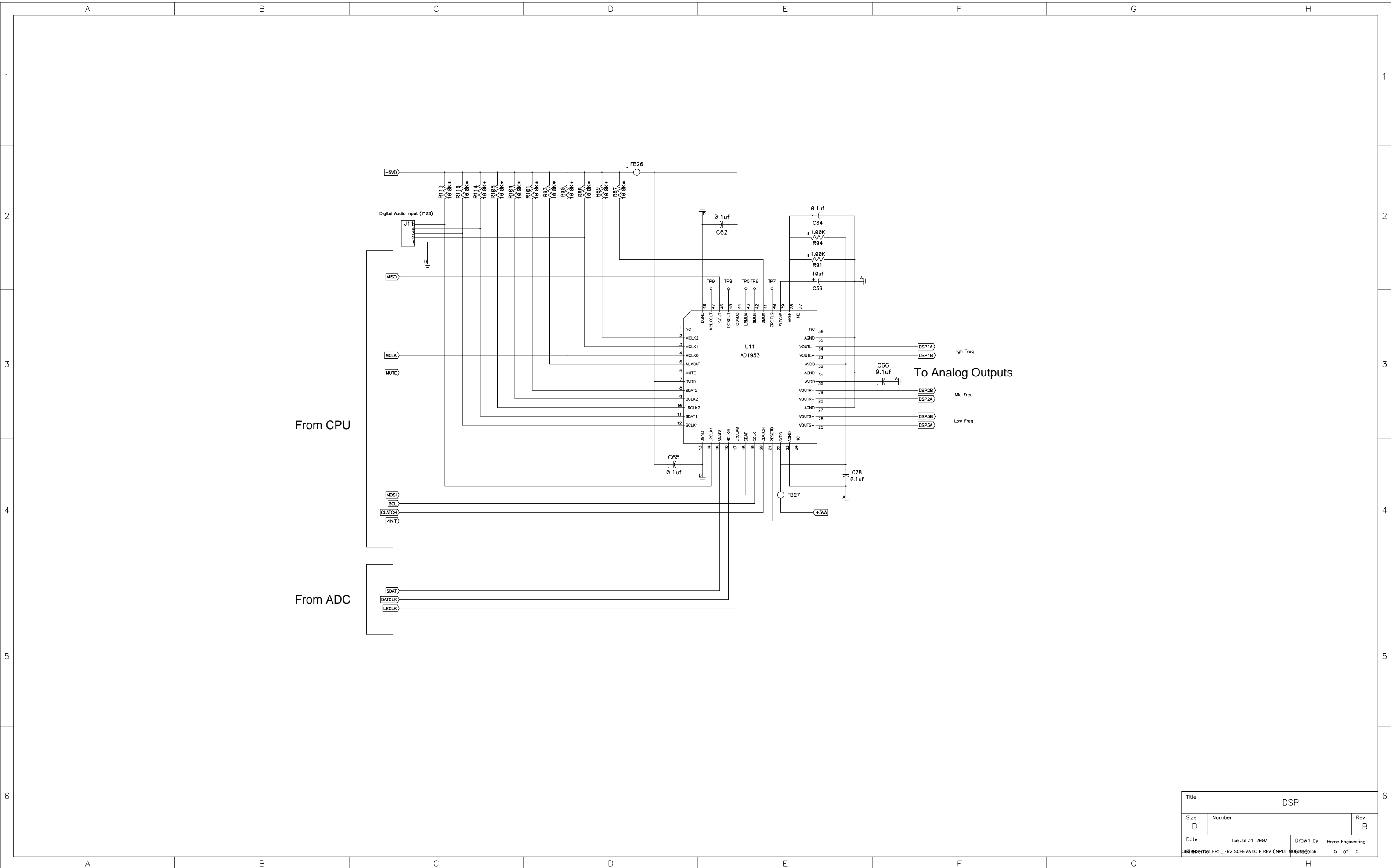
To Connector



This is a comparator configuration. Monitors the ADC input (CLPADC) and when near saturation (+/- 1.20V pk) outputs a square wave. The threshold is set by the resistor network at the (+) input.



Title			Analog Filters		
Size	Number			Rev	
D				B	
Date	Tue Jul 31, 2007	Drawn by	Home Engineering		
362000020 FR1_FR2 SCHEMATIC F REV (INPUT MOS)		MOSS		2 of 5	



From CPU

From ADC

To Analog Outputs

Title			DSP		
Size	Number				Rev
D					B
Date	Tue Jul 31, 2007	Drawn by	Home Engineering		
36202-120 FR1_FR2 SCHEMATIC F REV (INPUT MODIFIED)		5 of 5			