

**DIGITAL PIANO**  
**CN3**

**Service Manual**

Manufacturing Date April 2005

---

**KAWAI** Kawai Musical Instruments  
Manufacturing Co., Ltd.

---

## ■ Contents

Specifications .....	2	P.W.B. KEP-126 (12) Assembly [TOP] .....	20
Hardware List .....	3	P.W.B. KEP-126 (12) Assembly [BACK] .....	21
Case Assembly .....	4	P.W.B. KEP-126 Circuit 1/4 .....	22
Key Cover Assembly .....	5	P.W.B. KEP-126 Circuit 2/4 .....	23
Stand Assembly .....	6	P.W.B. KEP-126 Circuit 3/4 .....	24
Panel Assembly .....	7	P.W.B. KEP-126 Circuit 4/4 .....	25
Top Board Assembly .....	8	P.W.B. KEP-058 – 061 (4) Assembly .....	26
Keyboard Unit (RG88 Type) .....	9	P.W.B. KEP-058 – 061 Circuit 1/3 .....	27
Keyboard Disassembling Procedure .....	10	P.W.B. KEP-058 – 061 Circuit 2/3 .....	28
Electronic Parts List .....	11	P.W.B. KEP-058 – 061 Circuit 3/3 .....	29
P.W.B. KEP-126 (11)(12) Assembly Parts List .....	12	P.W.B. KEP-064 – 068 (26) Assembly .....	30
P.W.B. KEP-058 ~ 061 (4) Assembly Parts List .....	13	P.W.B. KEP-064 – 068 (27) Assembly .....	31
P.W.B. KEP-064 ~ 068 (26)(27) Assembly Parts List ....	14	P.W.B. KEP-064 – 068 Circuit 1/3 .....	32
Cable Wiring Specification .....	16	P.W.B. KEP-064 – 068 Circuit 2/3 .....	33
Block Diagram .....	17	P.W.B. KEP-064 – 068 Circuit 3/3 .....	34
P.W.B. KEP-126 (11) Assembly [TOP] .....	18	P.W.B. KKB-015 Circuit .....	35
P.W.B. KEP-126 (11) Assembly [BACK] .....	19	Key Switch Matrix .....	36

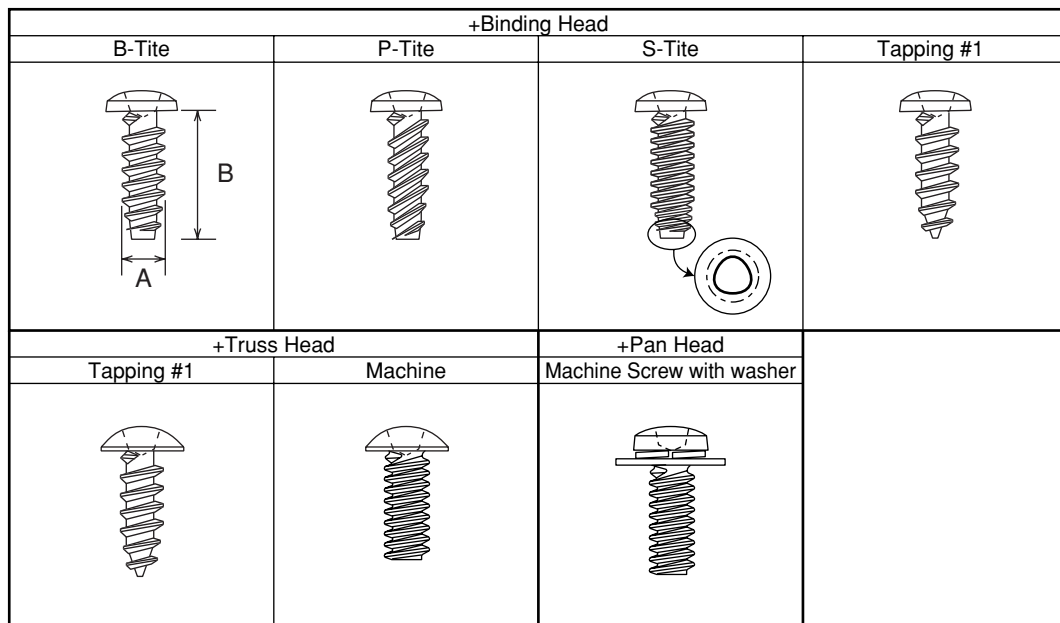
## ■ Specifications

Keyboard	88 Keys, Advanced Hammer Action IV
Polyphony	Maximum 96
Number of Sound	27
Sound Categories	Piano 1, Piano 2, Electric Piano, Drawbar, Church Organ, Harpsi & Mallets, Strings, Choir & Pad, Bass
Effects	Reverb (5), Chorus, Tremolo, Delay (3), Rotary (2)
Temperaments	Equal (Piano Only), Mersenne pure (Major), Mersenne pure (minor), Pythagorea, Meantone, Werckmeister III, Kirnberger III, Equal (flat), Equal
Recorder	2 Tracks, 3 Songs The total memory capacity of the recorder is approximtely 15,000 notes.
Other Features	Concert Magic (88 Preset Songs), Volume, Dual, Split, Balance Slider, Lesson Function, Metronome, Transpose, Tune, Lower Octave Shift, Lower Pedal On/Off, Touch Curve (Light 1, Light 2, Normal, Heavy 1, Heavy 2, Off), MIDI (16 part multi-timbral capability)
Pedals	Sustain, Sostenuto, Soft
Jacks	Headphones (2), LINE IN (L, R), LINE OUT (L/MONO, R), MIDI (IN, OUT)
Output Power	16 W x 2
Speakers	16 cm x 2
Power Consumption	50 W
Finish	Rosewood, Mahogany, European Cherry
Dimensions (W x D x H) (without Music Rack)	1392 x 470 x 827 mm 55" x 19" x 33"
Weight (without bench)	42.5 kg, 94 lbs

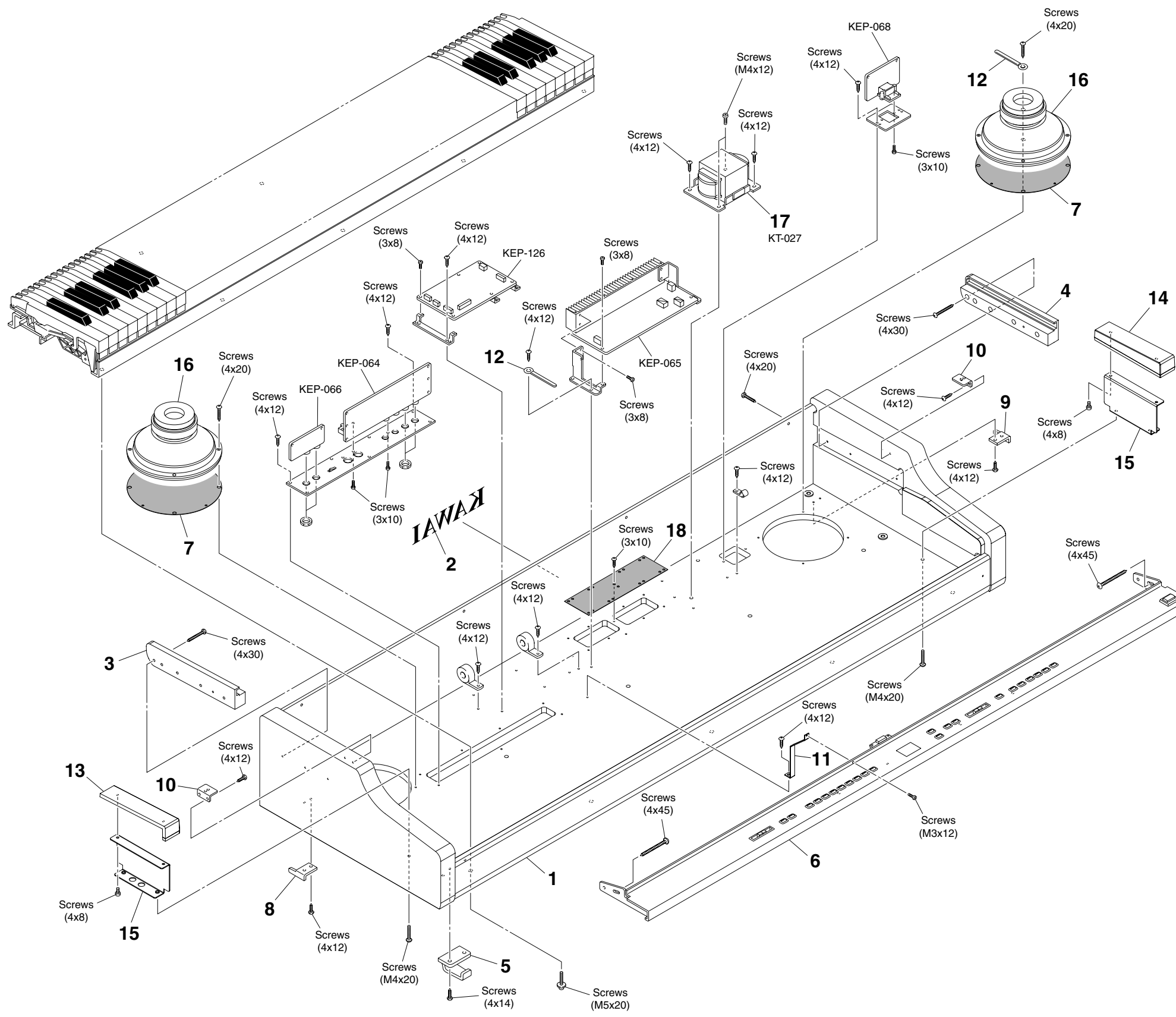
\* Specifications are subject to change without notice.

# Hardware List

Type	Size (A x B)	Remarks
Binding Head B-tite	3 x 8	Chromating
Binding Head B-tite	3 x 12	Chromating
Binding Head P-tite	3 x 10	Chromating (Black)
Binding Head P-tite	4 x 8	Chromating
Binding Head P-tite	4 x 10	Chromating
Binding Head S-tite	3 x 8	Chromating
Binding Head S-tite	3 x 12	Chromating (Black)
Binding Head Tapping #1	3 x 8	Chromating (Black)
Binding Head Tapping #1	3 x 10	Chromating (Black)
Binding Head Tapping #1	3 x 25	Chromating
Binding Head Tapping #1	4 x 30	Chromating
Pan Head Machine Screw w/Washer	M3 x 6	Chromating, Spring + Plain
Pan Head Machine Screw w/Washer	M3 x 10	Chromating, Spring + Plain
Pan Head Machine Screw w/Washer	M5 x 20	Chromating, Spring + Plain
Truss Head Machine Screw	M4 x 12	Chromating
Truss Head Machine Screw	M4 x 20	Chromating
Truss Head Tapping #1	4 x 10	Chromating
Truss Head Tapping #1	4 x 12	Chromating
Truss Head Tapping #1	4 x 14	Chromating (Black)
Truss Head Tapping #1	4 x 16	Chromating (Black)
Truss Head Tapping #1	4 x 20	Chromating (Black)
Truss Head Tapping #1	4 x 45	Chromating (Black)
Volume Nut	M12	Chromating (Black or Yellow)
Staple	W=4, L=25	
Pin Staple	L=30	

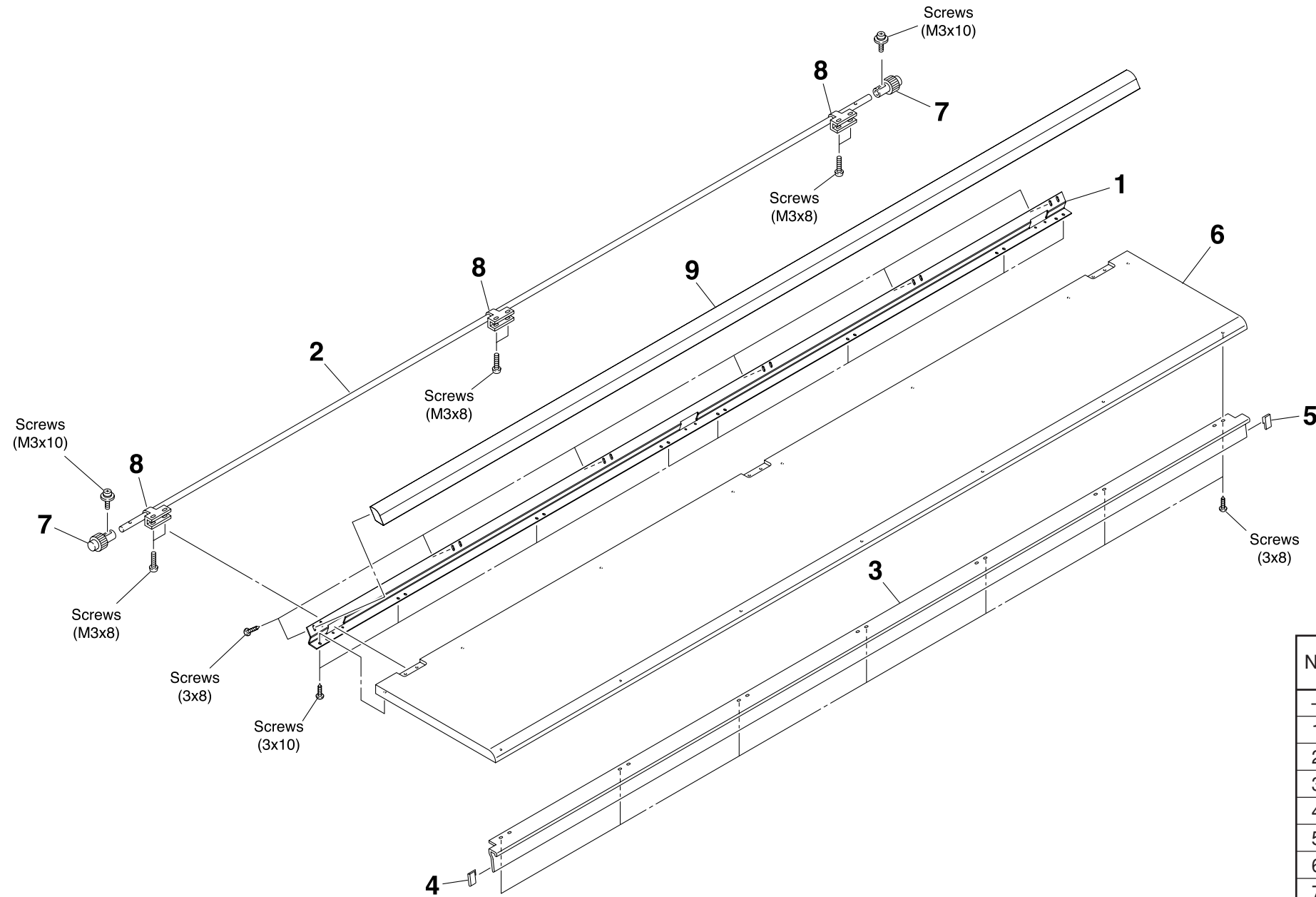


# Case Assembly



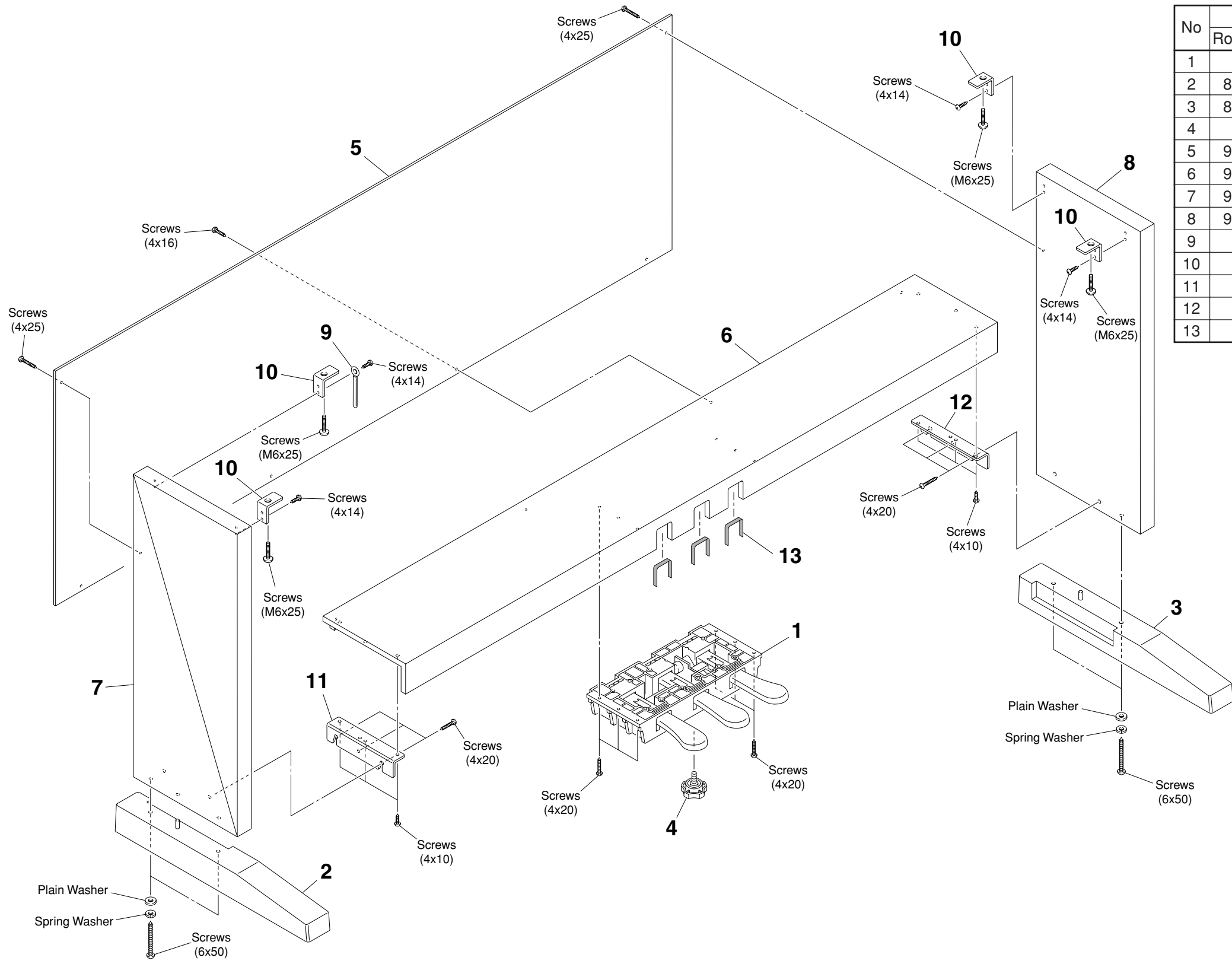
No	Code No.			Parts Name
	Rosewood	Cherry	Mahogany	
1	269801	269802	269803	Case Assy
2		813835		KAWAI sticker
3		814798		Key Cover Rack (Left)
4		814799		Key Cover Rack (Right)
5		947700		Head Phone Hook
6		266270		Control Panel Assy
7		932945		Speaker Punching Metal (Large)
8		926675		Stand Hook (Left)
9		926680		Stand Hook (Right)
10		940685		Angle
11		948100		Control Panel Support Fitting
12		721220		Binder
13		933250		Cheek Block (L)
14		933295		Cheek Block (R)
15		947584		Cheek Block Fitting
16		814243		Speaker Unit
17		814688		Transformer
18		937560		Radiating Hole Cover

# ■ Key Cover Assembly



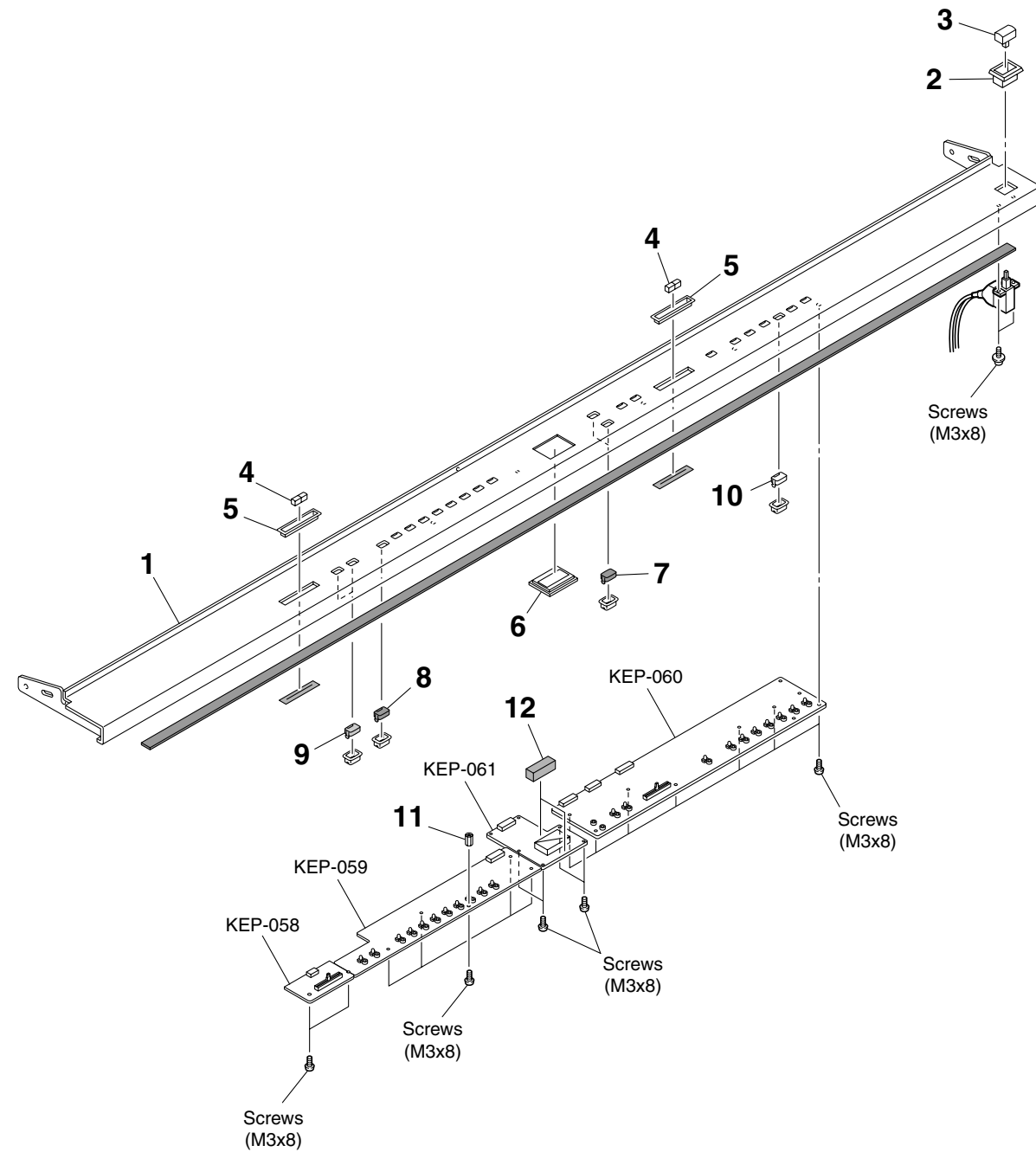
No	Code No.			Parts Name
	Rosewood	Cherry	Mahogany	
-	272669	272670	272671	Key Cover Assy
1		948099		Key Cover Back Angle
2		941605		Key Cover Shaft
3	947934	947935	947934	Key Cover Handle
4		812601		Key Cover Edge (Left)
5		812697		Key Cover Edge (Right)
6	948111	948112	948113	Key Cover
7		811290		Key Cover Pinion
8		811210		Key Cover Holder
9	948114	948115	948116	Key Cover Rail

# Stand Assembly



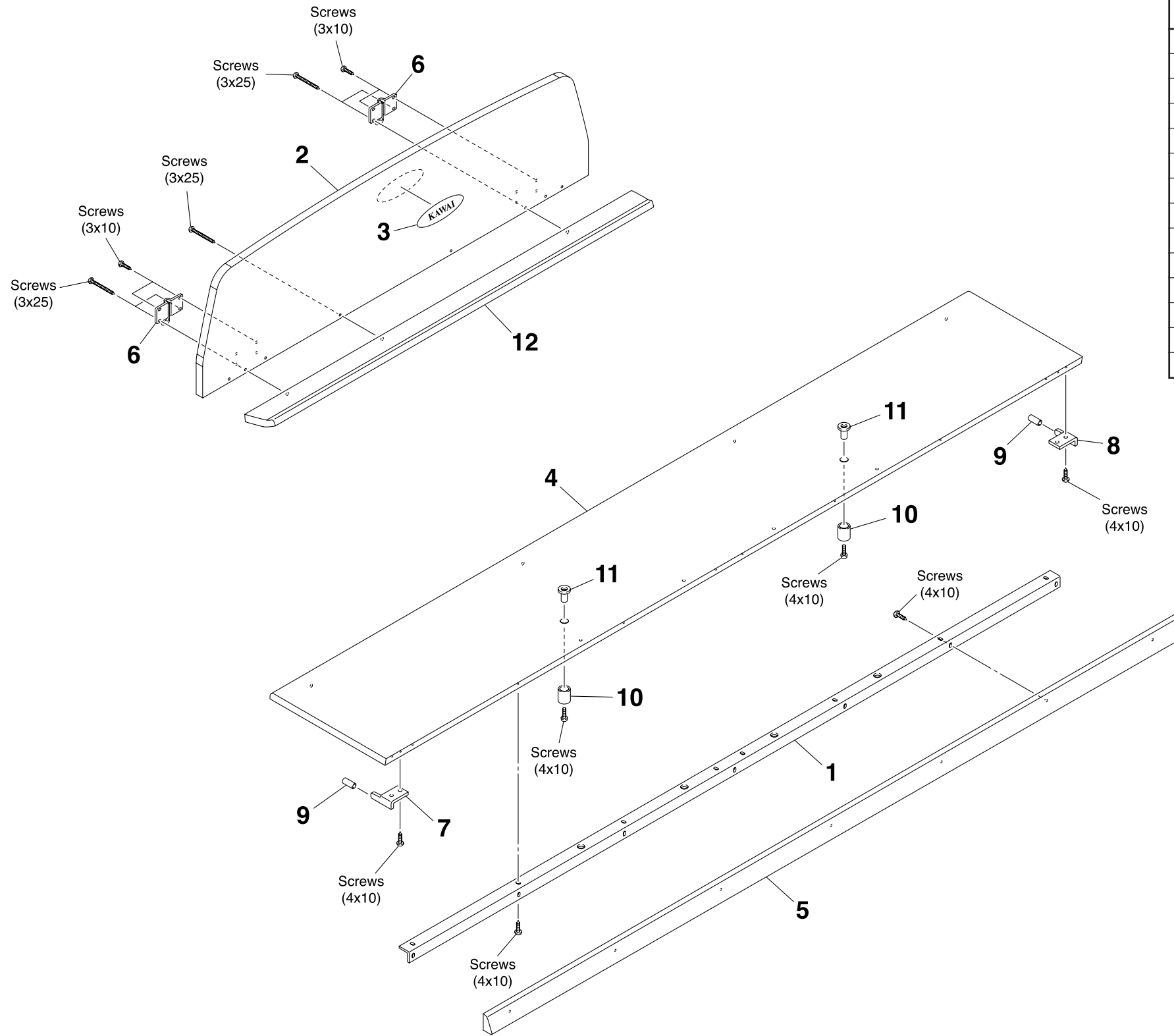
No	Code No.			Parts Name
	Rosewood	Cherry	Mahogany	
1		812863		Pedal Unit
2	812240	813594	813595	Toe Block (L)
3	812241	813596	813597	Toe Block (R)
4		937180		Adjuster Bolt M8 x 15
5	948167	813582	813583	Back Board
6	948121	948122	948123	Pedal Board Assy
7	948133	948135	948137	Side Board Assy (L)
8	948134	948136	948138	Side Board Assy (R)
9		721220		Binder
10		926820		SP Box Fitting
11		948101		Pedal Board Fitting L
12		948102		Pedal Board Fitting R
13		812969		Pedal Felt

# ■ Panel Assembly



No	Code No.			Parts Name
	Rosewood	Cherry	Mahogany	
1		948098		Control Panel
2		811104		Power SW Guide Black
3		810031		Power SW Key Top BLK
4		811184		Slide Vol. Knob
5		804910		Slide Volume Cover
6		813273		LED Cover
-		948103		Key Top & Guide Set
7		813402		Key Top (DARK BROWN) A & Guide
8		813399		Key Top with Lens (DARK BROWN) B & Guide
9		813208		Key Top with Lens (Gray) C & Guide
10		811195		Key Top with Lens (Red) D & Guide
11		813272		PCB Spacer
12		812299		PUR (Polyurethane) Foam 10 x 10 x 30

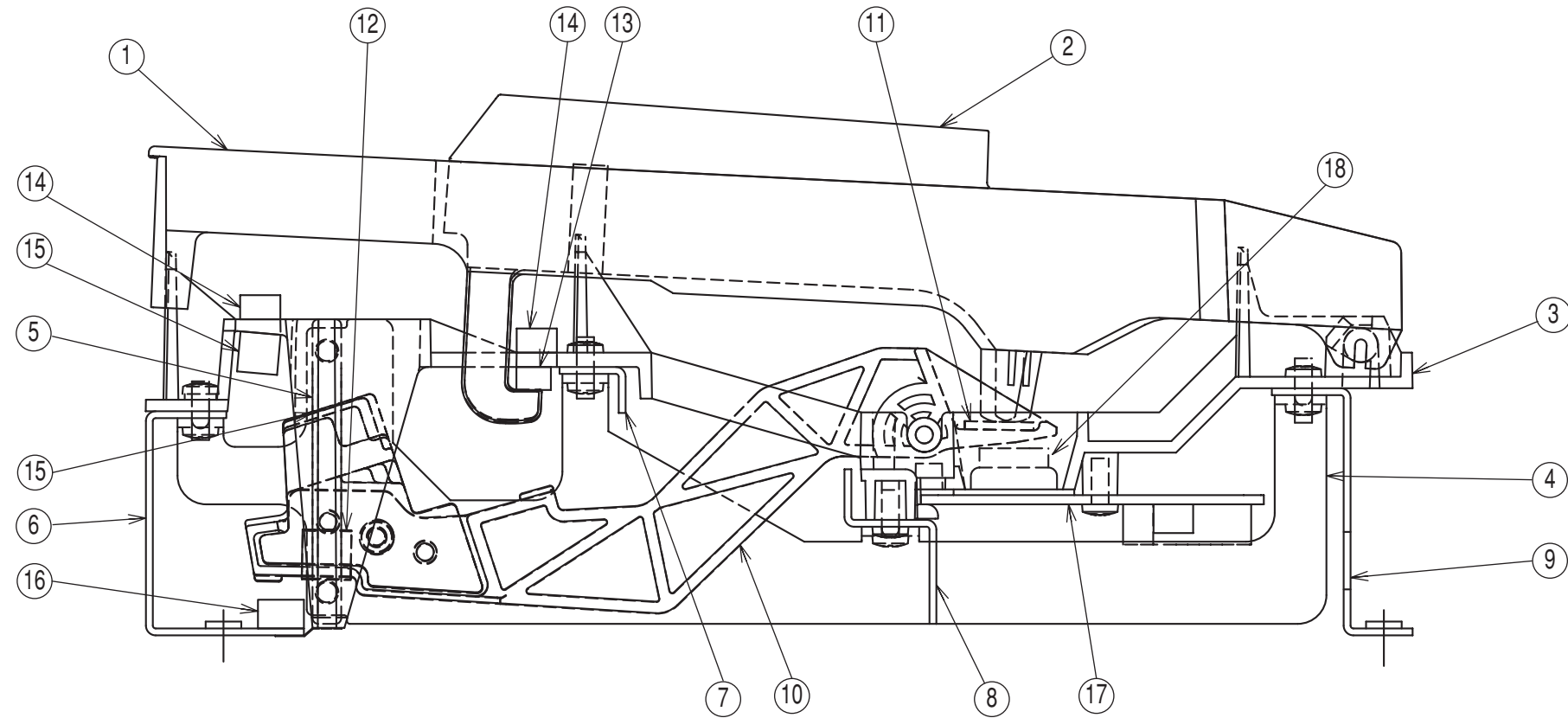
# Top Board Assembly



No	Code No.			Parts Name
	Rosewood	Cherry	Mahogany	
-	272672	272673	272674	Top Board General Assy
-	272675	272676	272677	Music Rack Assy
1	941584			Top Board Metal Rail
2	945695	945700	948120	Music Rack
3	947939			KAWAI Emblem II
4	948124	948125	948126	Top Board Assy
5	948127	948128	948129	Top Board Front
6	945715			Music Rack Fitting
7	926675			Stand Hook (Left)
8	926680			Stand Hook (Right)
9	811815			Nylon Tube $\phi 8 \times 22$
10	810020			Music Rack Support Stopper
11	814004			Music Rack Support
12	945705	945710	814104	Music Rack Under



# Keyboard Unit (RG88 Type)



## <Keyboard Parts List>

No.	Code No.	Parts Name	Description	Q'ty	No.	Code No.	Parts Name	Description	Q'ty
	814849	Complete Keyboard Unit		1	10	947907A	Hammer Assy (White Key Low)	Key No. 1- 15	9
1	814651	White Key (C)		7		947908A	Hammer Assy (White Key Mid-Low)	Key No. 16- 32	10
	814652	White Key (D)		7		947909A	Hammer Assy (White Key Mid-High)	Key No. 33- 63	18
	814653	White Key (E)		7		947910A	Hammer Assy (White Key High)	Key No. 64- 88	15
	814654	White Key (F)		7		947911A	Hammer Assy (Black Key Low)	Key No. 1- 15	6
	814655	White Key (G)		7		947912A	Hammer Assy (Black Key Mid-Low)	Key No. 16- 32	7
	814656	White Key (A)		7		947913A	Hammer Assy (Black Key Mid-High)	Key No. 33- 63	13
	814657	White Key (B)		8		947914A	Hammer Assy (Black Key High)	Key No. 64- 88	10
	814658	White Key (AA)	lowest A key	1	11	814664	Slip Tape		88
	814659	White Key (CC)	highest C key	1	12	814665	Guide Tape		88
2	814660	Black Key		36	13	813171	Key Stopper Cushion		1
3	814661	Chassis (A-G#)		7	14	814666	Stopper Felt		2
	814662	Chassis (A-C)		1	15	814667	Hammer Upper-Limit Cushion		1
4	947901A	Rib Assy		8	16	814668	Hammer Lower-Limit Cushion		1
5	814650	Guide Spacer		16	17	237347	PWB, KKB-015 Assy		1
6	947902	Front Rail		1		800760	IC (Decoder)	74HC138P	3
7	947903	Stopper Rail		1		807339	Diode	1S2076A	176
8	947904	Switch Rail		1	18	813175	Rubber Contact	F-E (12-cup)	8
9	947905	Back Rail		1					

# Keyboard Disassembling Procedure

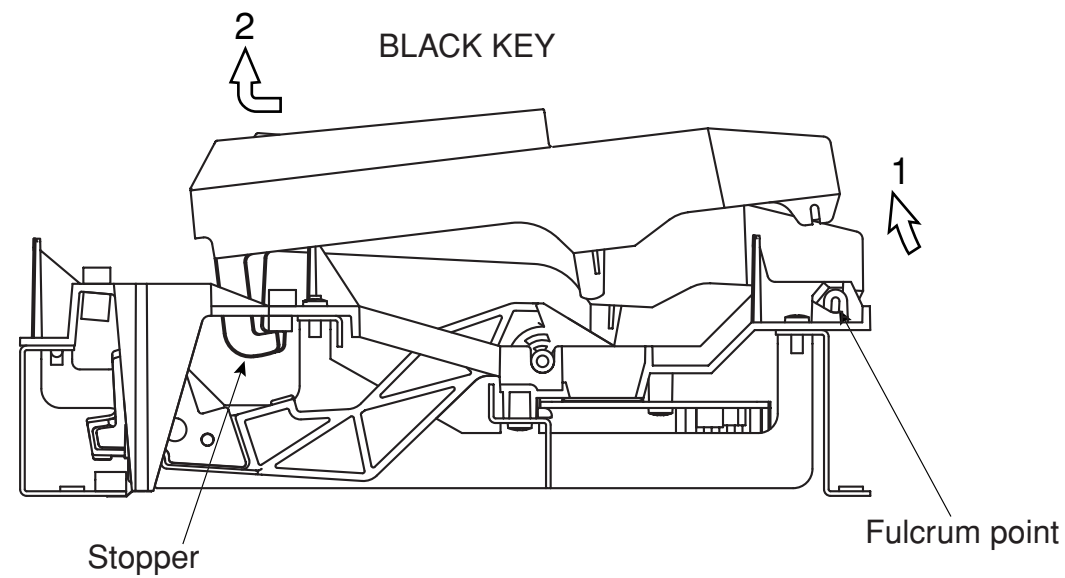
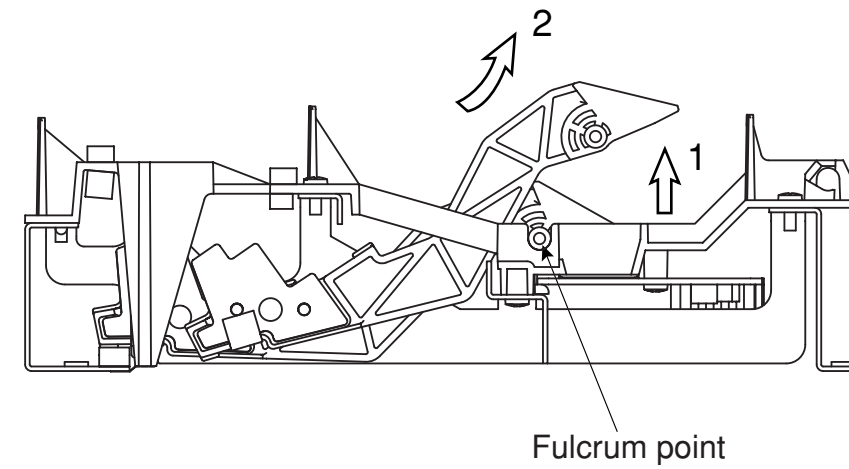
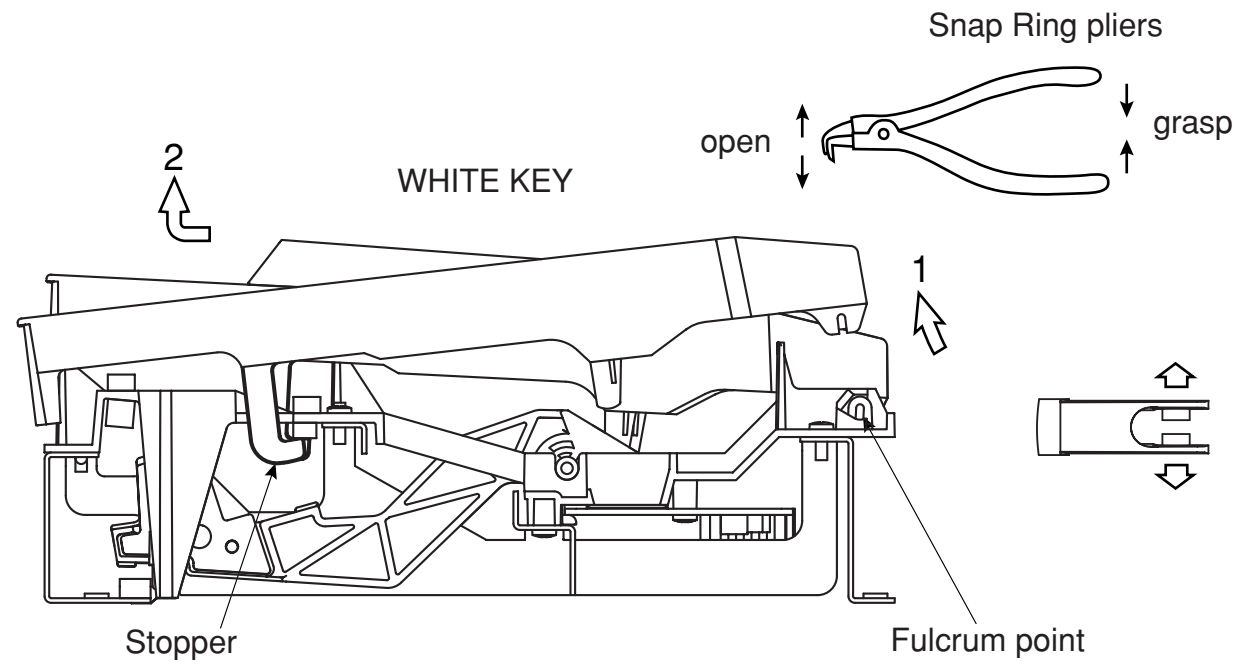
First, remove the keyboard fixing screws (10 pcs.) at the bottom of the piano and slide the Keyboard unit backward.

## <How to take a key off>

1. Spread the key at fulcrum point and lift it up. (We recommend to use Snap Ring pliers. If not available, use a flat blade (tapered) screwdriver.)
2. Pull the key off. (Pay attention to the stopper.)

## <How to take a hammer off>

1. Lift the hammer at the fulcrum point.
2. Pull the hammer off.



\* To remove a black key, the white keys on either side must be removed first.

# ■ Parts List

## Electronic Parts List

Code No.	Parts Name	Q'ty	Parts Number	Remarks	Model
237702	P.W.B. Assy	1	KEP-126 (11)	CPU (US,AU)	
237703	P.W.B. Assy	1	KEP-126 (12)	CPU (GE120,CD,CG,GE230)	
237704	P.W.B. Assy	1	KEP-058-061,072 (4)	PANEL,VOLUME	
237705	P.W.B. Assy	1	KEP-064-068 (26)	AMP,HP,JACK,LED,INLET	120V
237706	P.W.B. Assy	1	KEP-064-068 (27)	AMP,HP,JACK,LED,INLET	230V
237347	P.W.B. Assy	1	KKB-015 (1)	KEYBOARD	
814688	Transformer	1	KT-027		
814243	Speaker Unit	2	KS16-007		
812805	AC Cable	1	UC-505-J01	120V area	
809170	AC Cable	1	EC-511-E07	230V area	
809171	AC Cable	1	SC-078-J02	Australia	
813178	AC Cable	1	2P FOR BS 2.5M 13A	UK	
941650	PH Standard Cable	1	PH-05-0350	HP-JACK	
942195	PH Standard Cable	1	PH-08-0200	JACK-AMP	
940600	PH Standard Cable	1	PH-09-0150	PNL (C)-PNL (R)	
940545	PH Standard Cable	1	PH-11-0250	PNL (L)-PNL (R)	
948020	PH Standard Cable	1	PH-02-0250-RED	LED-KBD	
948021	PH Standard Cable	1	PH-04-0200-YEL	MIDI-CPU	
947636	PH Standard Cable	1	PH-09-0400-WHT	CPU-JACK	
814796	PH Standard Cable	1	PH-10-0500-BLK	PNL (R)-CPU	
948023	PH Standard Cable	1	PH-15-0200-GRN	KBD-CPU	
947641	Power Switch Cable	1		SW-INLET	
948025	CPU Power Cable	1		AMP-CPU	
948192	Pedal Cable	1		PDL-CPU	
948028	Speaker Cable	1		SP-AMP	
814797	Volume Cable	1		VOLUME-JACK	
812267	Headphone Ground Cable	1	KPBB-0111	HP-KEY BED	
812265	Ground Cable	1	KPBB-0109	1007 #18 Black 120 T-T	

## P.W.B. KEP-126 (11)(12) Assembly Parts List

Code No.	Parts Name	Q'ty	Parts Number	Parts Address	Model
812215	CPU	1	MB91101APF-G	U2	
814414	TG	1	K022-FP	U6	
814435	Reset IC	1	BD5245 FVE-TR	U29	
810368	Regulator	1	NJM78L05UA-TE1	U17	
813047	Regulator	1	μPC2933AT-E1	U27	
812219	OP-AMP	4	NJM4580E-T1	U13,14,18,22	
237707	Flash ROM	1	KP441-F9FP	U3	US,AU
237708	Flash ROM	1	KP442-F9FP	U3	GE120,CD,CG,GE230
814418	DRAM	1	IC41LV16257-35T-EL	U4	
814416	SRAM	1	UT62L2568LS-70LL/UT62L2568LS-70LLI	U9	
814690	ROM	1	KP437-MCFW	U28	
814074	DAC	1	AK4393VF-E2	U15	
812217	LOGIC	2	TC74HCT7007AF (TP1)	U23,25	
804056	LOGIC	1	HD74HC245FPEL	U24	
812958	X'tal Oscillator	1	DSO751SV 33.8688MHz	X2	
812722	X'tal Resonator	1	SMD-49 12.5MHz / CX-49G 12.5MHz	X1	
813358	Chip Bead	34	BLM18AG601SN1D	EM1,3,5,8,9,10,13,14,16,17,19,22,32,33,34,40,41,42,43,44,45,46,47,48,49,50,51,52,53,54, R16,17,92,93	

**P.W.B. KEP-058~061 (4) Assembly Parts List**






Code No.	Parts Name	Q'ty	Parts Number	Parts Address	Model
	KEP-058 (Volume)				
804978	Slide Volume	1	RS30112AC00QA	VR1	
	KEP-059 (Panel L)				
813111	LED	11	EL3105VRT/TR1-11 (A)	LED1,2,3,4,5,6,7,8,9, 10,11	
800625	Diode	11	1SS133T-77	D1,2,3,4,5,6,7,8,9, 10,11	
808345	Switch	11	KSH0612AT / EVQ21305R	SW1,2,3,4,5,6,7,8,9, 10,11	
	KEP-060 (Panel R)				
812220	IC	1	HD74HC166P	U1	
808457	IC	2	HD74HC595P	U2,3	
812527	Transistor	4	2SC5395-T12-E	Q4,5,6,7	
813111	LED	9	EL3105VRT/TR1-11 (A)	LED17,18,19,21,22, 23,24,25,26	
800625	Diode	11	1SS133T-77	D15,16,17,18,19,21, 22,23,24,25,26	
808345	Switch	11	KSH0612AT / EVQ21305R	SW15,16,17,18,19,21, 22,23,24,25,26	
810870	Slide Volume	1	RS30111AC015A	VR2	
	KEP-061 (LED Display)				
808457	IC	1	HD74HC595P	U4	
811758	Transistor	3	DTB113ZS-TP	Q1,2,3	
808805	LED Display	1	SL-9351S	LED27	

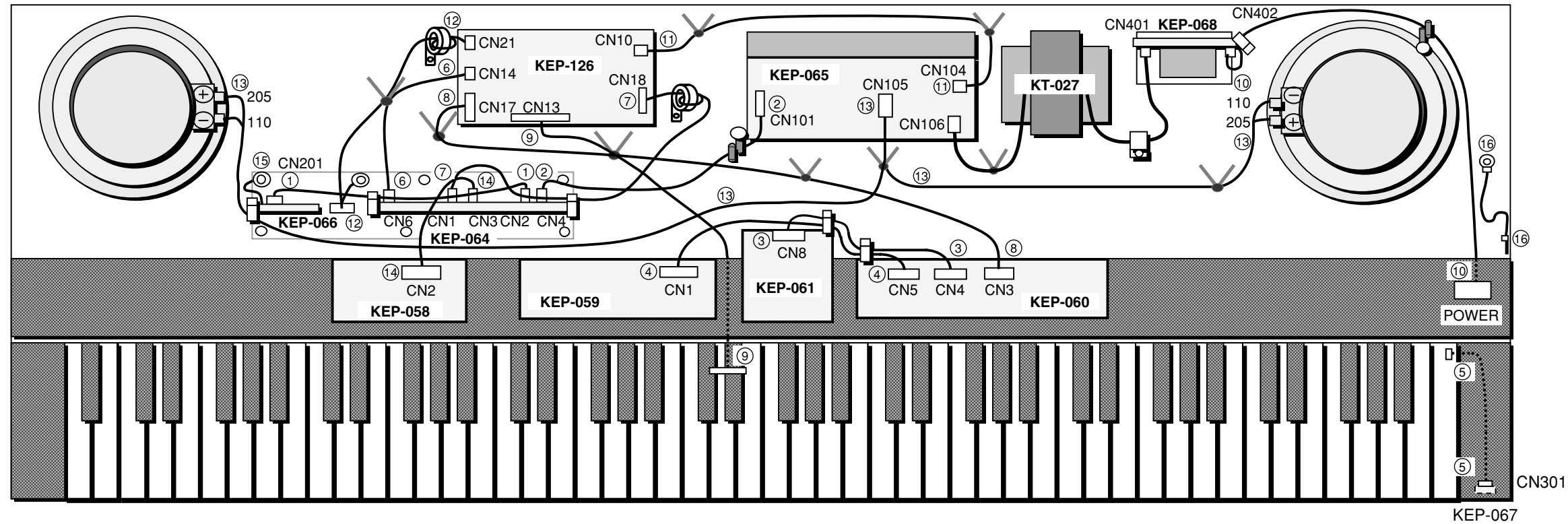
**P.W.B. KEP-064~068 (26)(27) Assembly Parts List**

Code No.	Parts Name	Q'ty	Parts Number	Parts Address	Model
	KEP-064 (Jack)				
800676	IC	1	NJM4558D/M5218AP	U1	
812222	IC	1	LA6517	U5	
806719	IC	1	PC900V	U3	
814530	IC	1	PST600D	U2	
812125	Transistor	2	2SC3792	Q3,4	
812527	Transistor	1	2SC5395-T12-E	Q6	
808973	Transistor	1	DTA114ESA-TP	Q5	
810851	Transistor	3	DTC143ESA-TP	Q7,8,9	
800625	Diode	3	1SS133T-77	D5,6,7	
807082	Zenor Diode	1	HZS6C3TD	D8	
813000	Metal Film Resistor	1	RNM 1/4 C3 5601 F TP	R29	
813112	Metal Film Resistor	1	RNM 1/4 C3 7501 F TP	R28	
808473	MIDI Jack	1	YKF51-5053/HDC-052-A-12	JA4	
808979	Pin Jack	1	YKC21-3045/HSP-252V2-04	JA3	
803439	Phone Jack	2	YKB21-5074N	JA1,2	
	KEP-065 (AMP)				
812950	IC	1	TA8221AH	U103	
800676	IC	1	NJM4558D/M5218AP	U101	
814530	IC	1	PST600D	U104	
813252	IC	1	PQ05RF21	U102	
812527	Transistor	9	2SC5395-T12-E	Q101,102,103,104, 105,106,107,109,111	
810851	Transistor	1	DTC143ESATP	Q110	
808952	Bridge Diode	1	DBF40C	D105	
807082	Zener Diode	1	HZS6C3TD	D109	
805989	Zener Diode	1	HZS4ALL	D108	
811767	Retardant Resistor	1	ERDS1FJ101T/CPFS1/2CT26A101J	R136	
813823	Metal Film Resistor	4	MOSX 1/2 C T26 A 1R2J	R155,156,157,158	
810861	Metal Film Resistor	1	MOSX 2 C L15A 2R7J	J105	
807403	Electrolytic Capacitor	1	TC04RSMG25VB2200M F50E1	C125	
811707	Electrolytic Capacitor	1	SMQ25VB10000M E1	C137	
812961	IC Protector	1	ICP-N10T104	F2	

Code No.	Parts Name	Q'ty	Parts Number	Parts Address	Model
	KEP-066 (HP)				
812297	Retardant Resistor	4	ERDS1FJ68RT/CPFS1/2CT26A68RJ	R201,202,203,204	
805764	EMI Coil	4	LFD648075600/SBT0160W	L201,202,203,204	
802576	Phone Jack	2	YKB21-5006N/HTJ-064-04A	JA201,202	
	KEP-067 (LED)				
814844	LED	1	SEL4117R TP2	LED301	
	KEP-068 (INLET)				
811711	High Voltage Capacitor	1	DE1E3KX472MB5BA01	C403	
814467	High Voltage Capacitor	1	ECQU3A104MG	C401	
811358	AC Inlet	1	HJC-028A/CCT9302-0201	AC1	120V
811191	AC Inlet	1	HJC-028/CCT9302-0101	AC1	230V
812416	Fuse	1	234 02.5M (Littelfuse Inc.) * Medium-Acting Fuse 2.5A/250V 5 x 20 mm	F1	120V
814333	Fuse	1	218.630M (Littelfuse Inc.) * Time Lag Fuse 630mA/250V 5 x 20 mm	F1	230V

# Cable Wiring Specification

	Cable Tie (Inshlock Tie) (PTL1M)	6		Nylon Clamp (NK-6N)	1
	Binder (EFB-0692)	2		Ferite Core (KR06TB251512B1)	2
	Vinyl Binder (small) (L=100)	9			



Cable Parts List

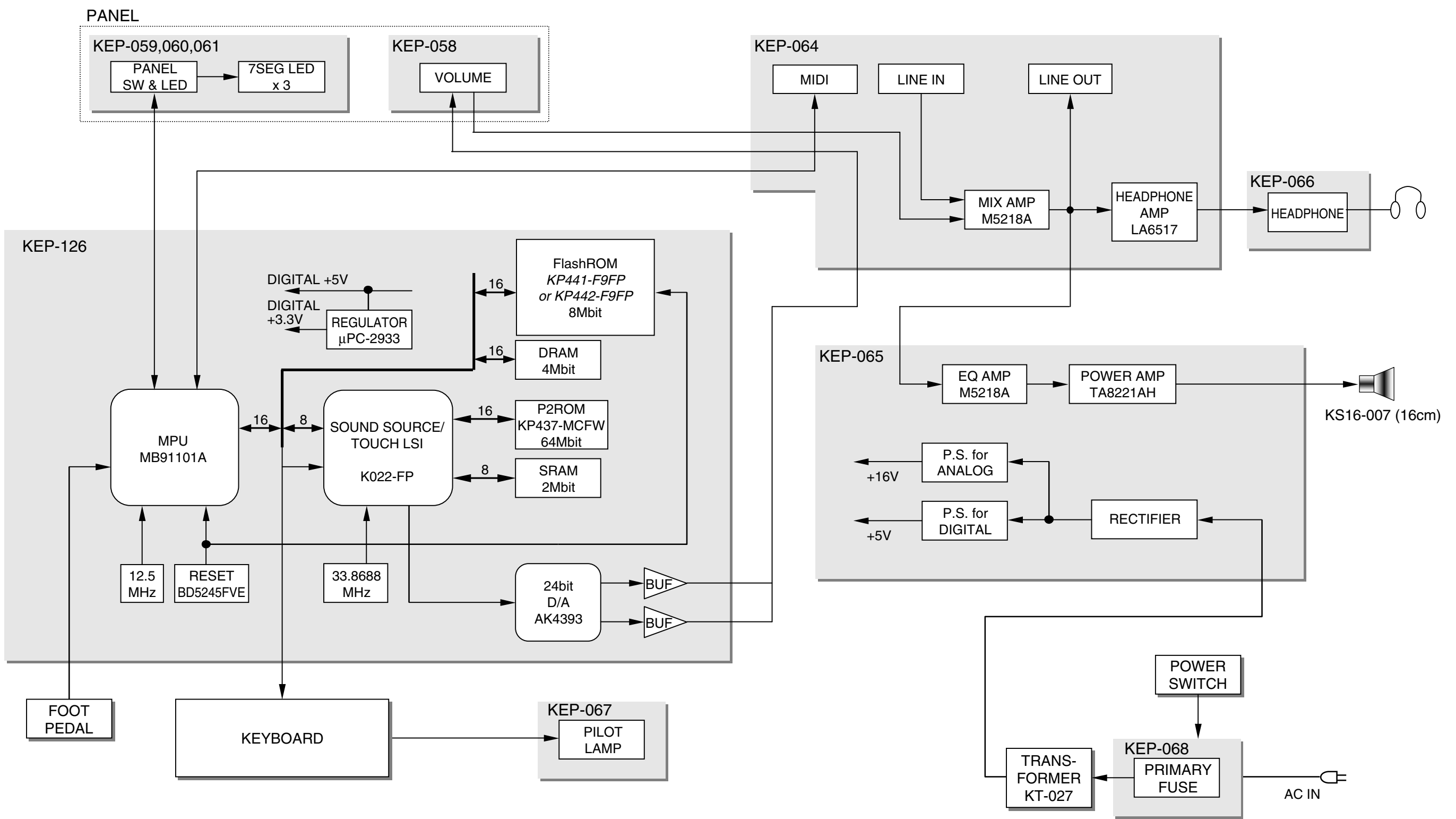
No.	Code No.	Name	Termination 1	Termination 2	Q'ty
①	941650	PH-05-0350	KEP-064-CN2	KEP-066-CN201	1
②	942195	PH-08-0200	KEP-064-CN4	KEP-065-CN101	1
③	940600	PH-09-0150	KEP-060-CN4	KEP-061-CN8	1
④	940545	PH-11-0250	KEP-059-CN1	KEP-060-CN5	1
⑤	948020	PH-02-0250-RED	KEP-067-CN301	Keyboard (RG88)	1
⑥	948021	PH-04-0200-YEL	KEP-064-CN6	KEP-126-CN14	1
⑦	947636	PH-09-0400-WHT	KEP-064-CN1	KEP-126-CN18	1
⑧	814796	PH-10-0500-BLK	KEP-060-CN3	KEP-126-CN17	1
⑨	948023	PH-15-0200-GRN	KEP-126-CN13	Keyboard (RG88)	1
⑩	-	Power Switch Cable	KEP-068-CN402	Switch	1
⑪	948025	CPU Power Cable	KEP-065-CN104	KEP-126-CN10	1
⑫	948192	Pedal Cable	KEP-126-CN21	Pedal (JACK PANEL)	1
⑬	948028	Speaker Cable	KEP-065-CN105	Speaker (L, R)	1
⑭	814797	Volume Cable	KEP-058-CN2	KEP-064-CN3	1
⑮	812267	Headphone Ground Cable	KEP-066	Key Bed	1
⑯	812265	Ground Cable	Control Panel Fitting	Key Bed	1

AC Cable List

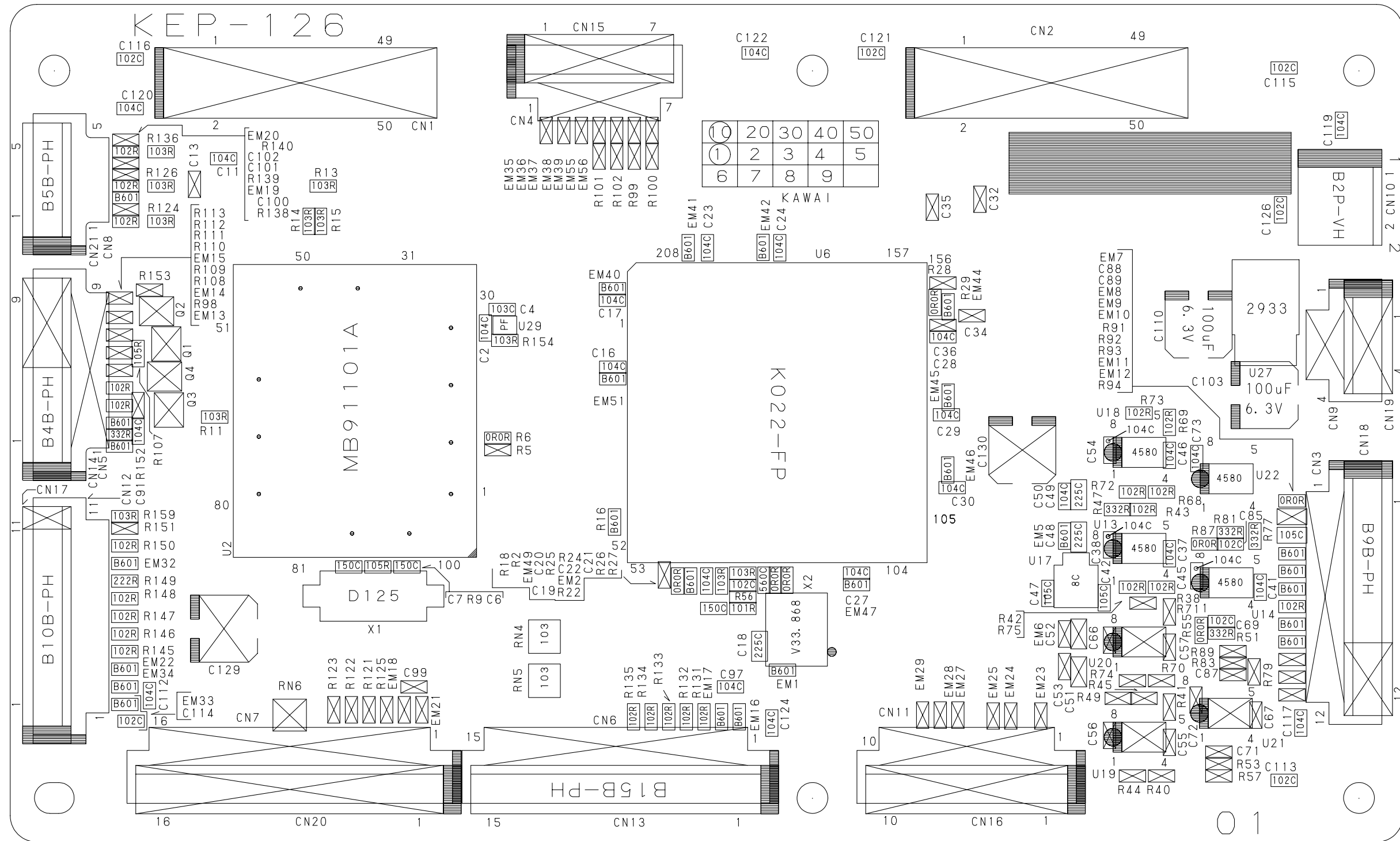
Description	Code No.	Q'ty
for 120V area	8 12805	1
for 230V area	8 09170	1
for Australia	8 09171	1
for UK	8 13178	1



# Block Diagram



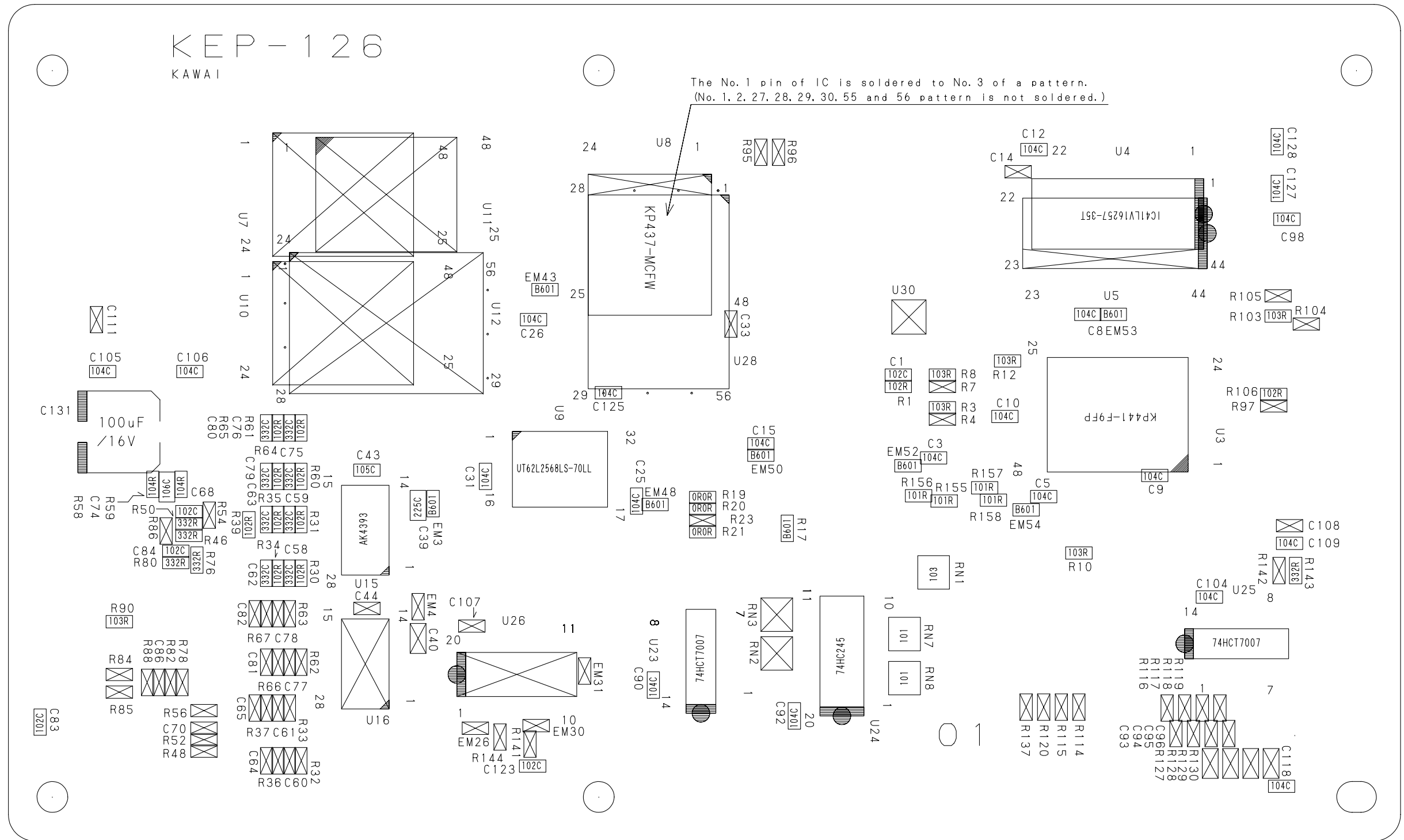
# ■ P.W.B. KEP-126 (11) Assembly [Top]



- PF : BD5245FVE
- 8C : NJM78L05UA
- B601 : BLM18AG601SN1D
- R56 : LK1608R56K
- R38, 42, 43, 47, 51, 68, 69, 72, 73, 77, 81 : Resistance Tolerance ±1%

X : Not Mounted

# ■ P.W.B. KEP-126 (11) Assembly [Back]

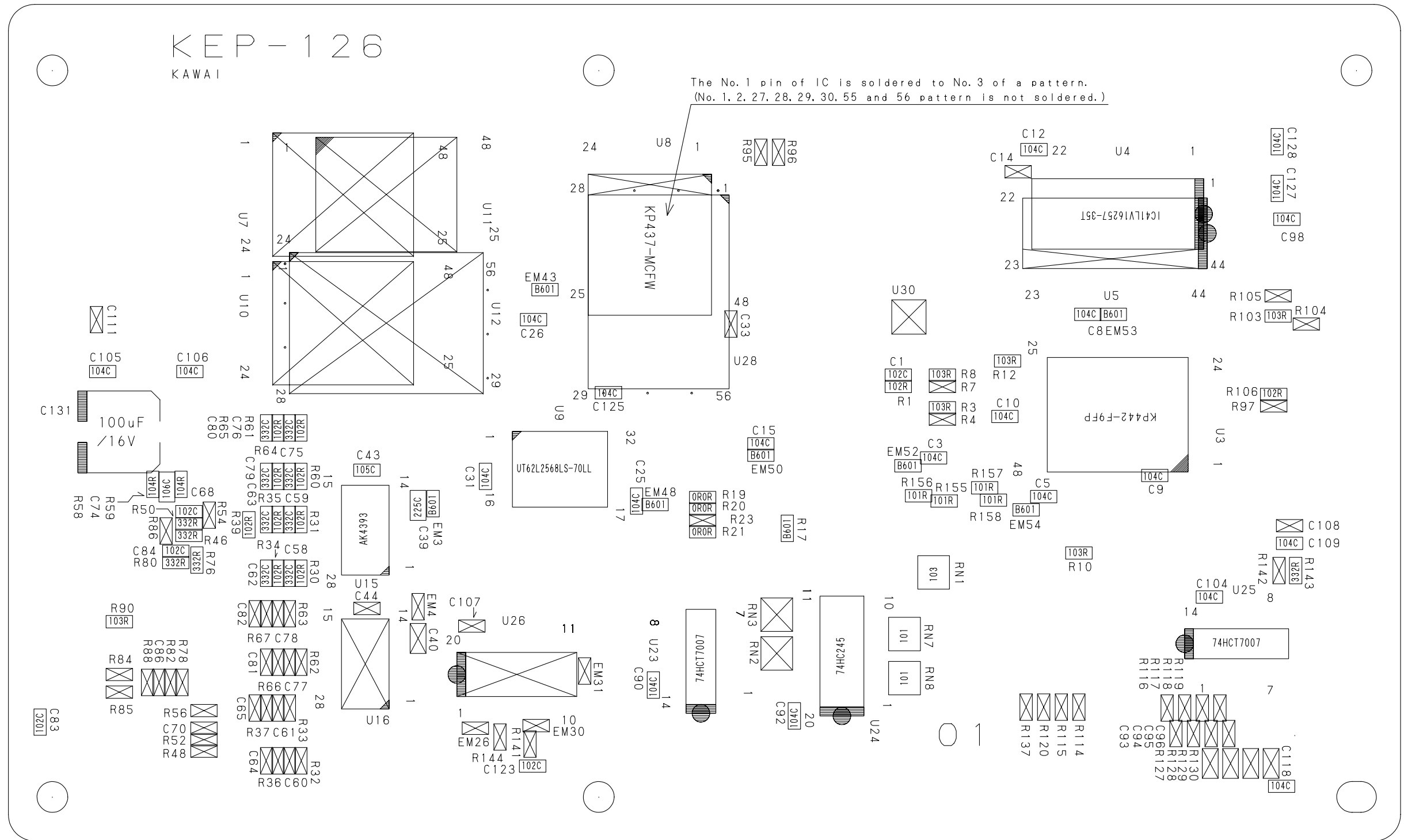


B601 : BLM18AG601SN1D  
 R30, 31, 34, 35, 39, 46, 50, 60, 61, 64, 65, 76, 80 : Resistance Tolerance ±1%

X : Not Mounted



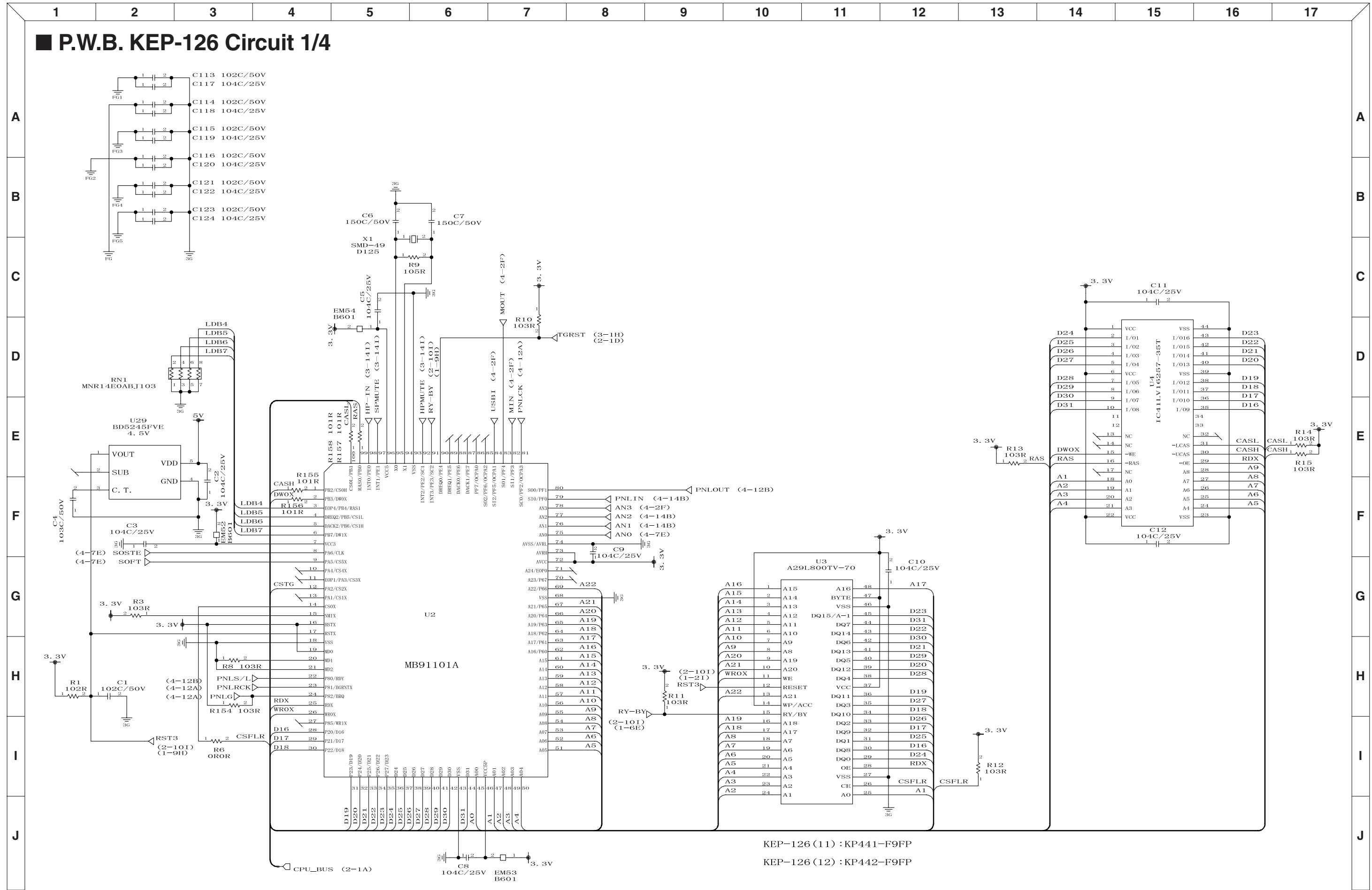
# ■ P.W.B. KEP-126 (12) Assembly [Back]



B601 : BLM18AG601SN1D  
 R30, 31, 34, 35, 39, 46, 50, 60, 61, 64, 65, 76, 80 : Resistance Tolerance ±1%

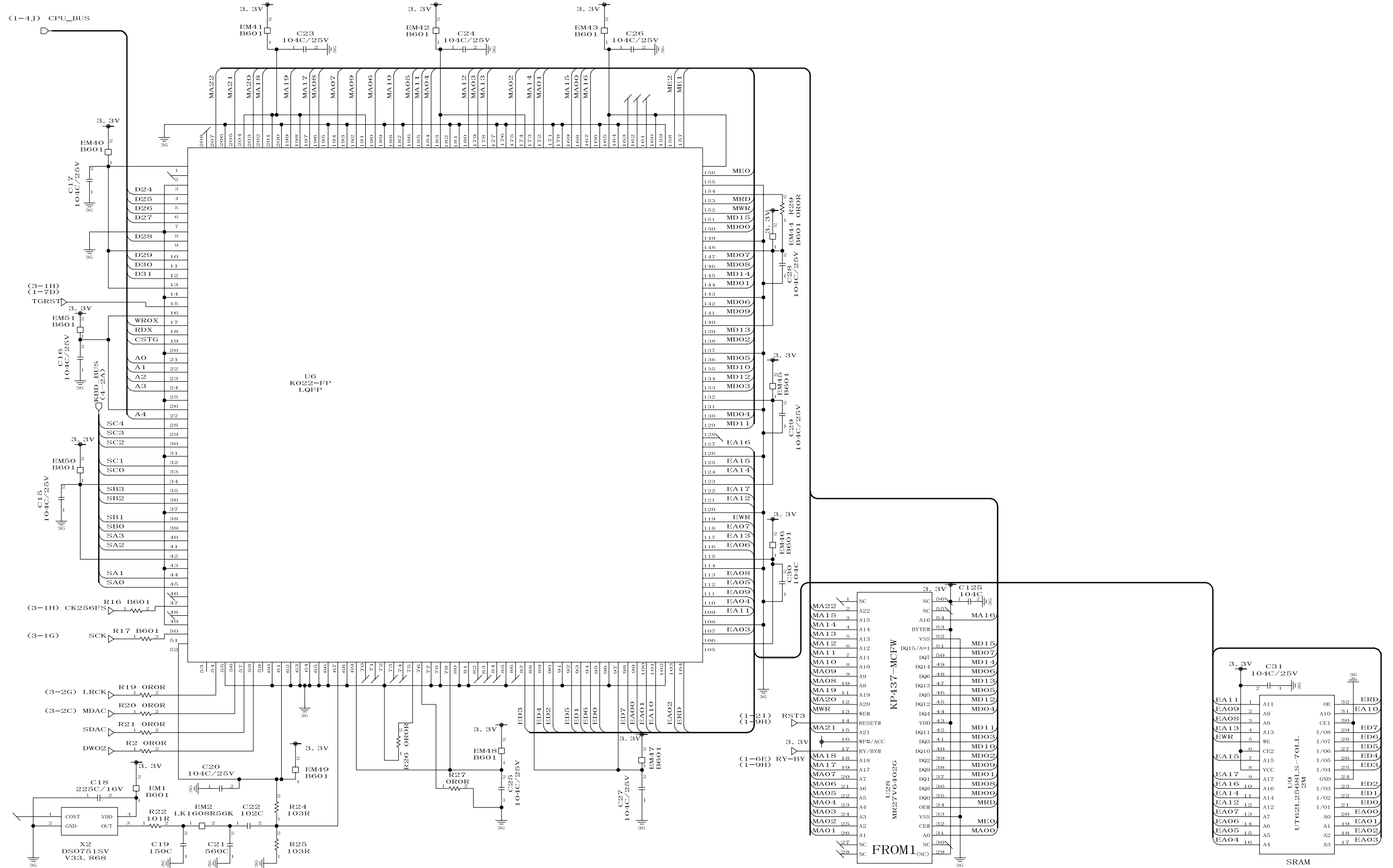
X : Not Mounted

# P.W.B. KEP-126 Circuit 1/4

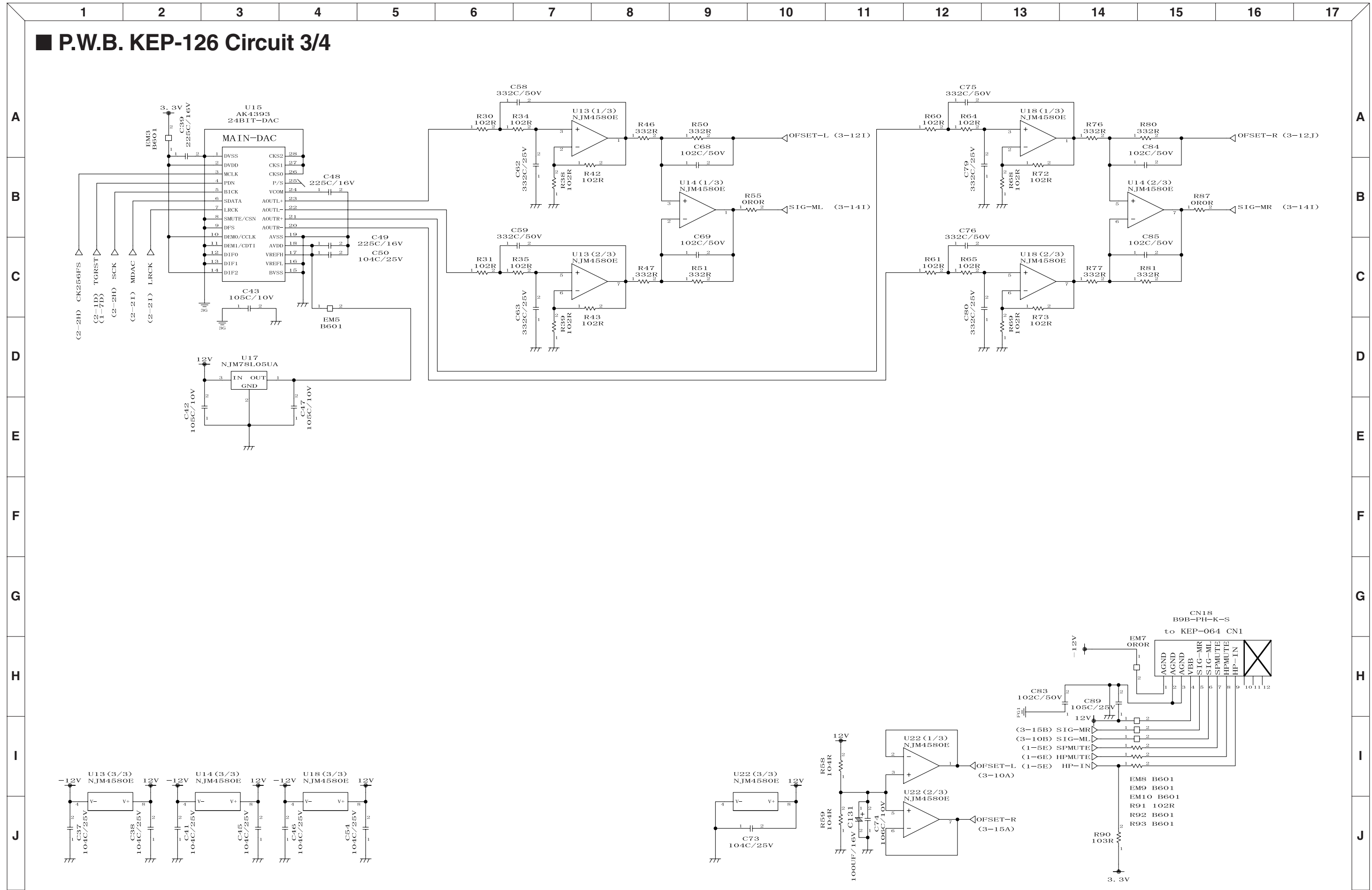


KEP-126 (11) : KP441-F9FP  
 KEP-126 (12) : KP442-F9FP

# P.W.B. KEP-126 Circuit 2/4

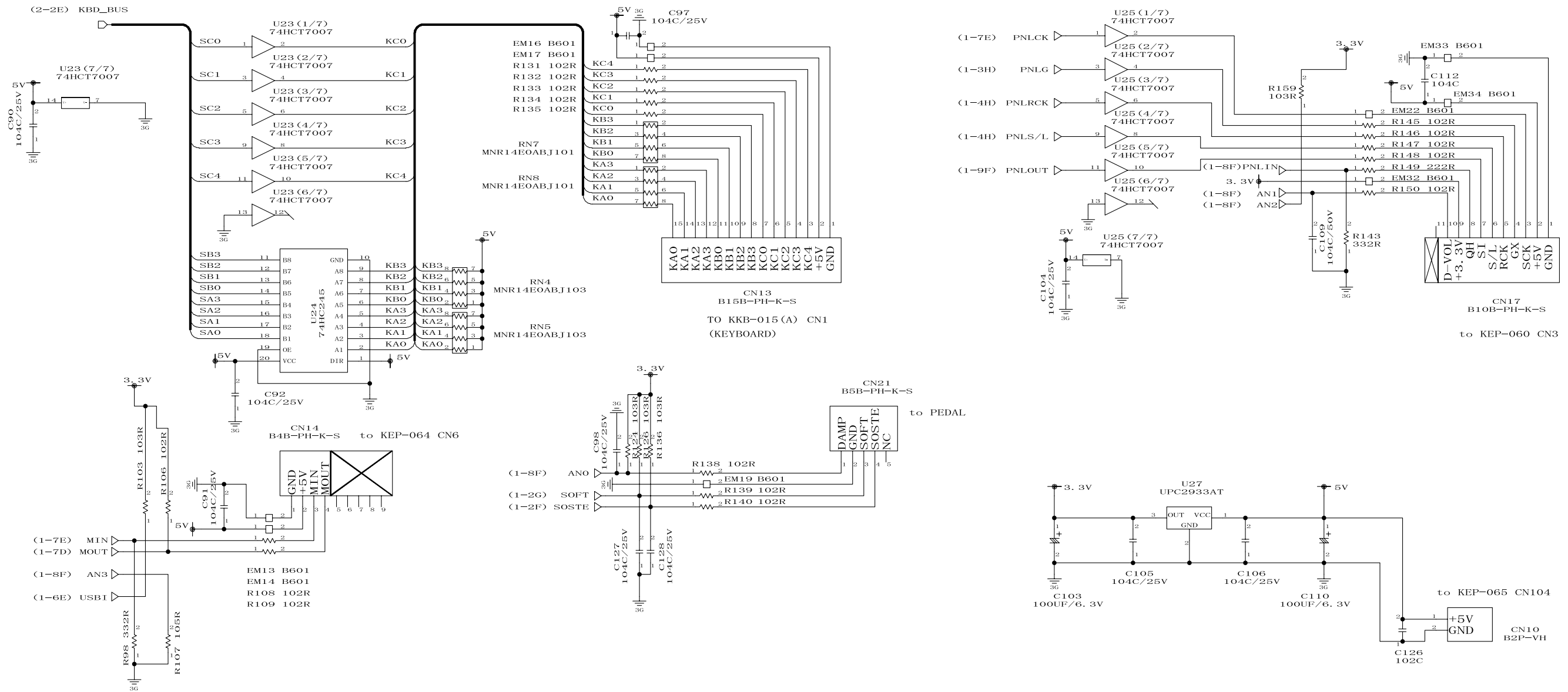


# P.W.B. KEP-126 Circuit 3/4

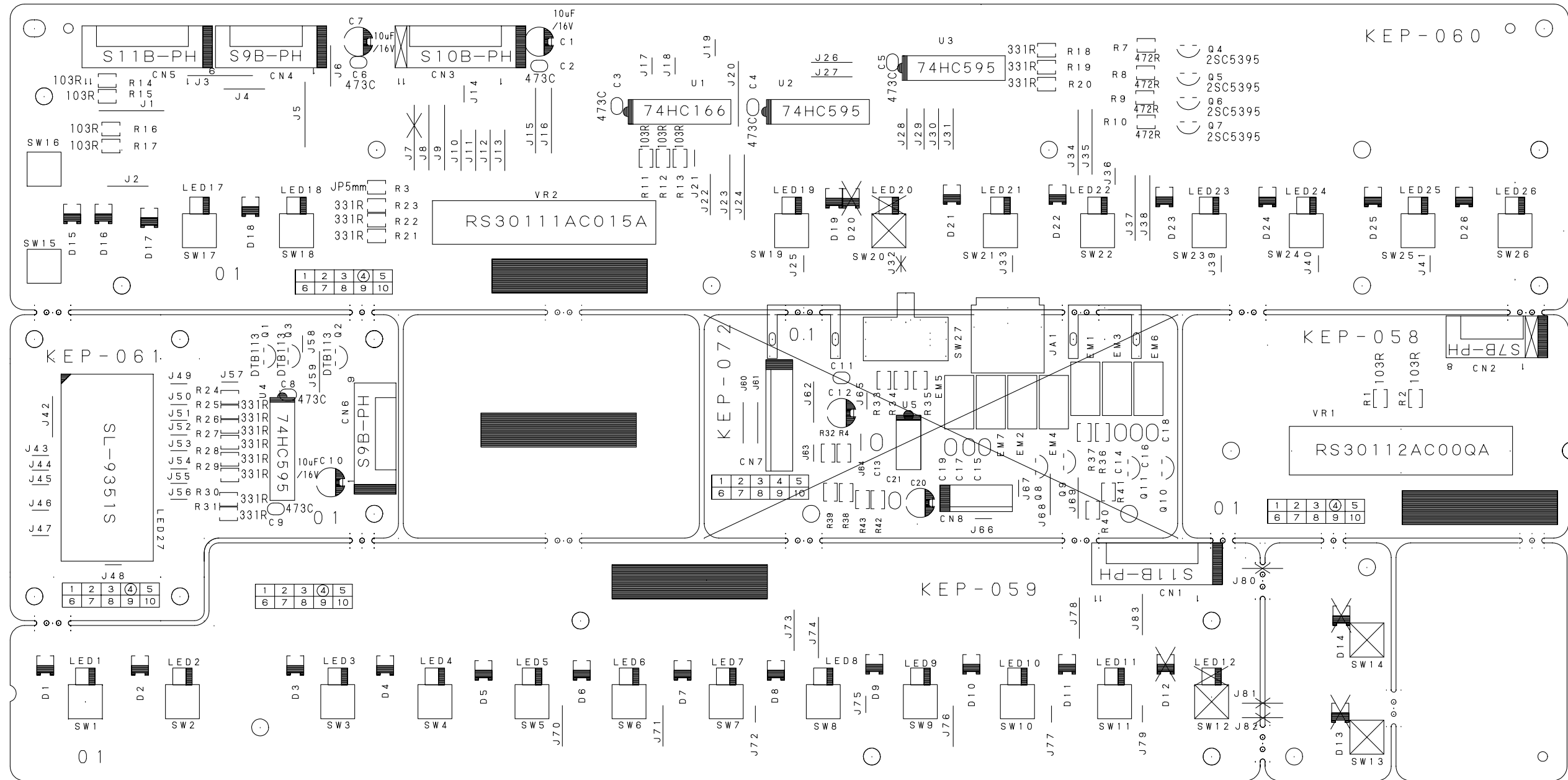




# ■ P.W.B. KEP-126 Circuit 4/4



# ■ P.W.B. KEP-058 – 061 (4) Assembly



X : Not Mounted

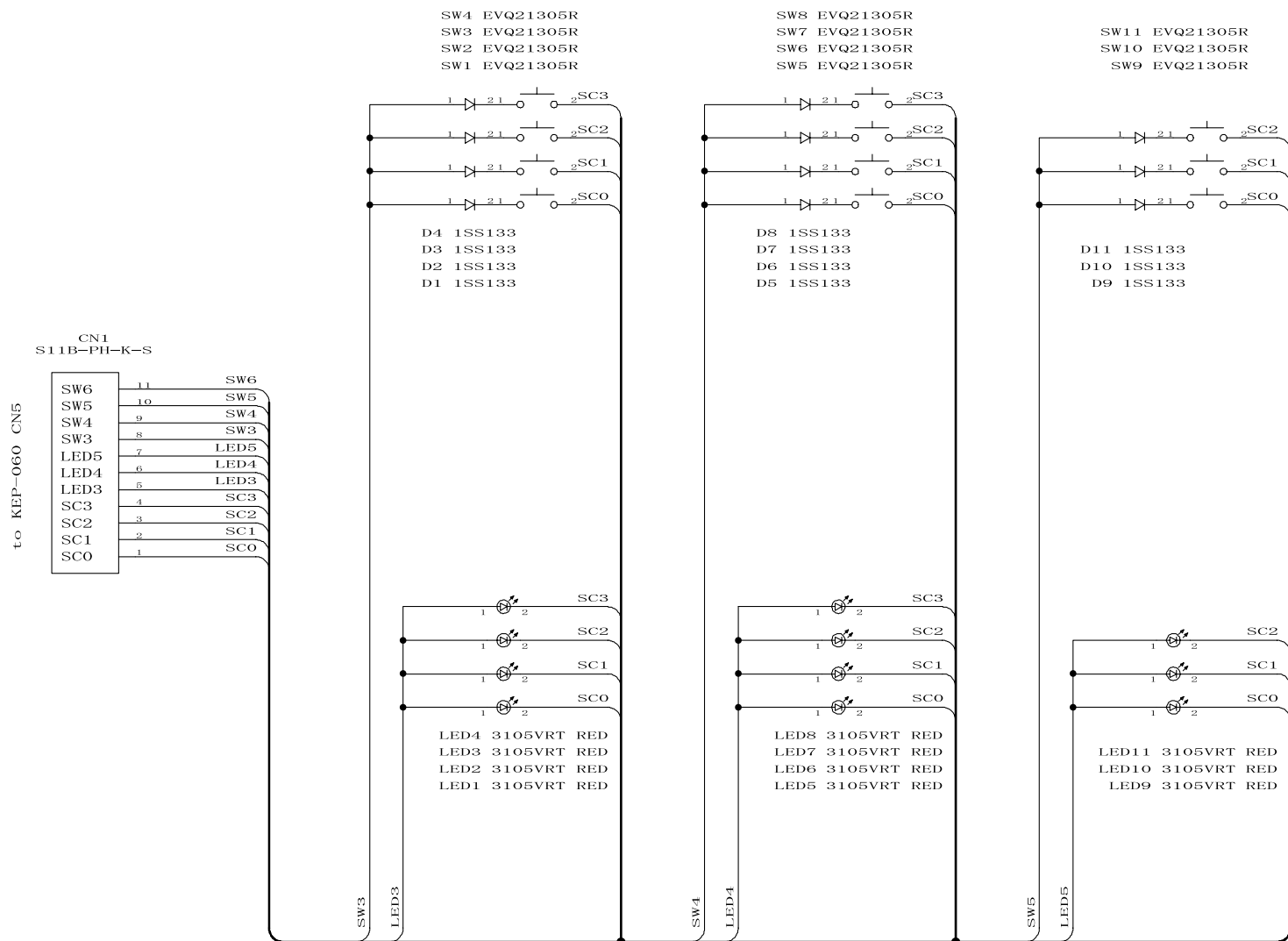
LED1~11, 17~19, 21~26 : EL3105VRT  
 D1~11, 15~19, 21~26 : 1SS133  
 SW1~11, 15~19, 21~26 : EVQ21305R

SW1	SW2	SW3	SW4	SW5	SW6	SW7	SW8	SW9	SW10	SW11
CONCERT MAGIC	LESSON	PIANO1	PIANO2	ELECTRIC PIANO	DRAWBAR	CHURCH ORGAN	HARPSI & MALLETS	STRINGS	CHOIR & PAD	BASS

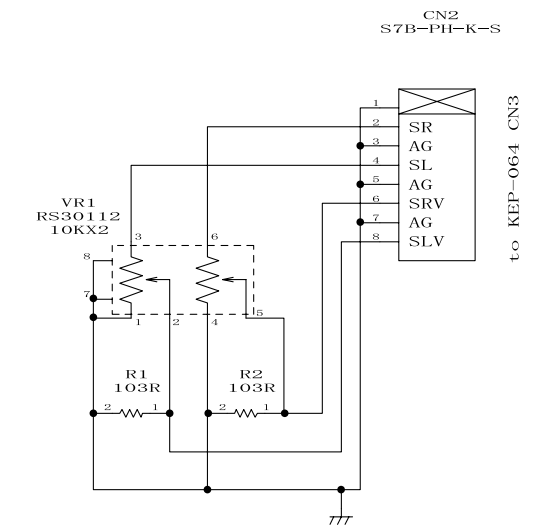
SW15	SW16	SW17	SW18	SW19	SW21	SW22	SW23	SW24	SW25	SW26
VALUE▼	VALUE▲	EFFECTS	REVERB	SPLIT	TEMPO	BEAT	PLAY/ STOP	REC	TOUCH	TRANS- POSE

■ P.W.B. KEP-058 – 061 Circuit 1/3

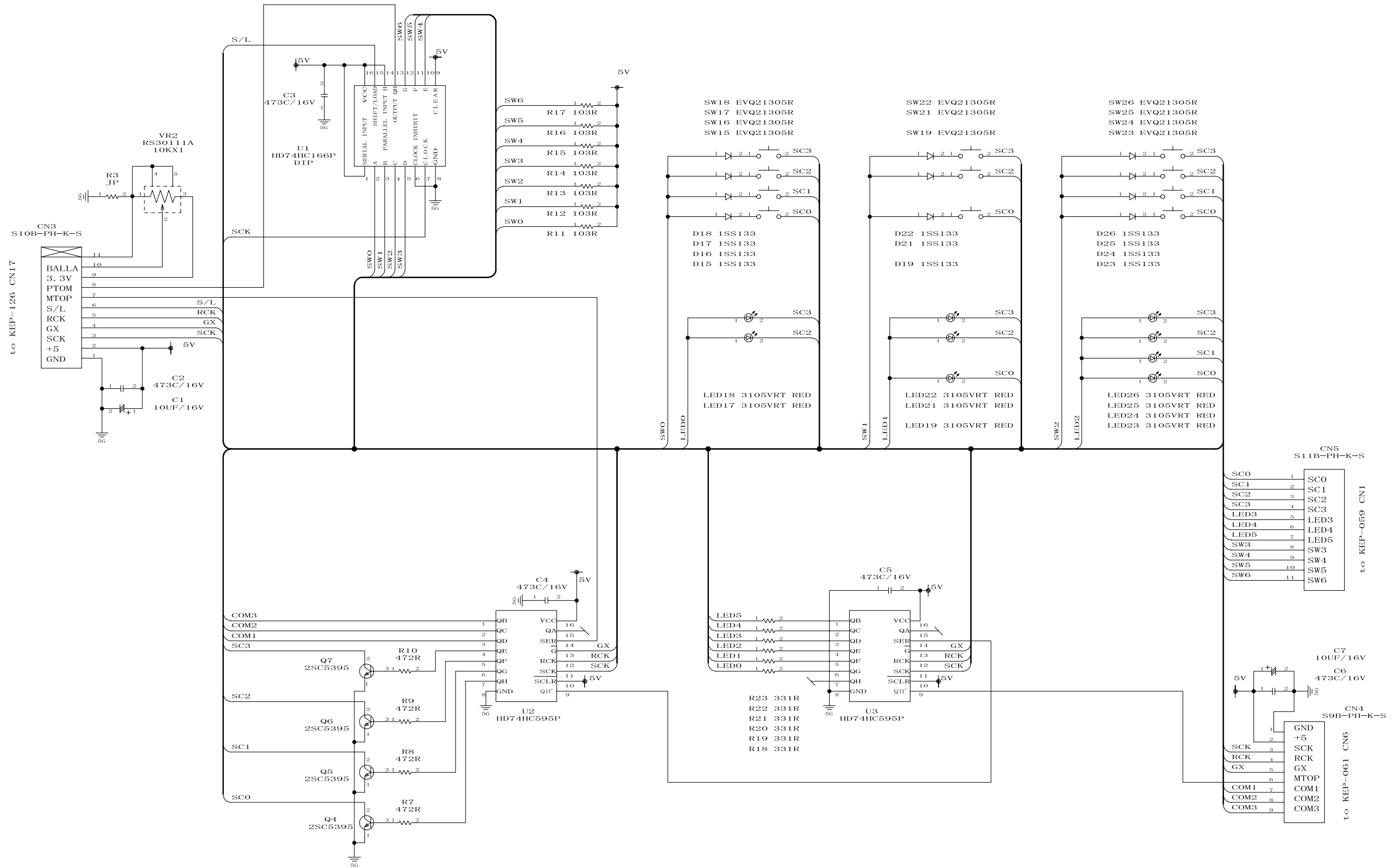
KEP-059



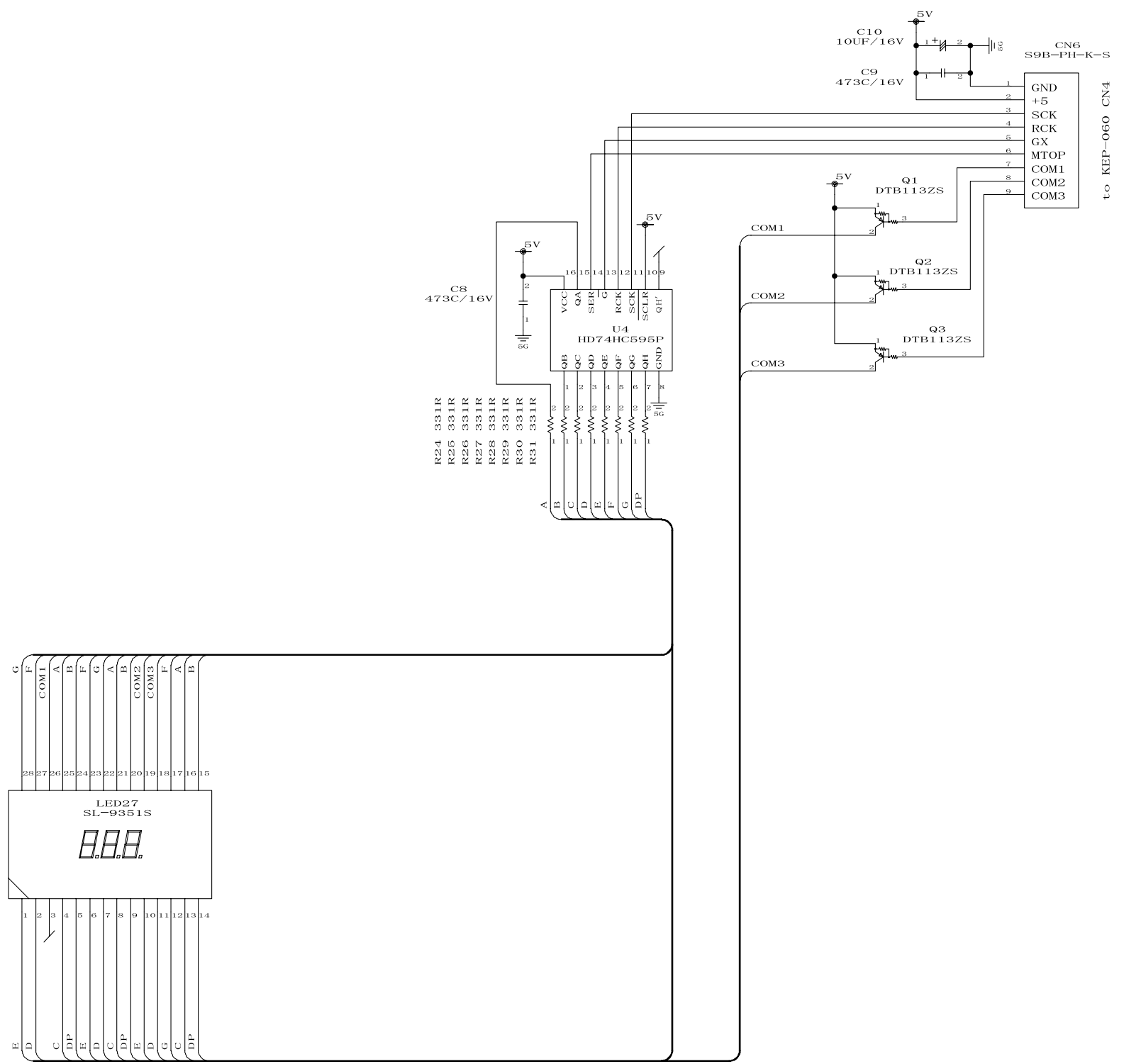
KEP-058



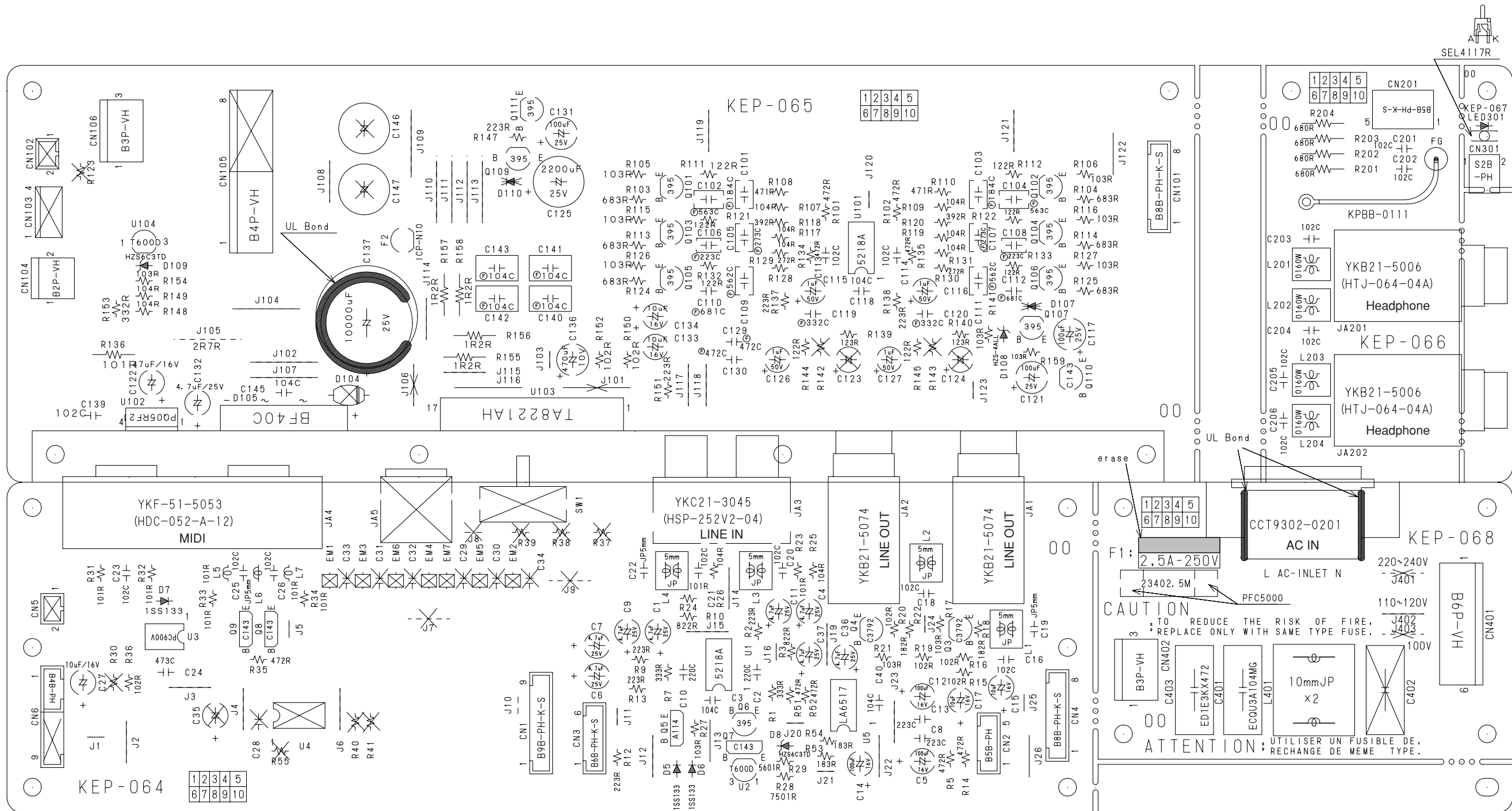
# ■ P.W.B. KEP-058 – 061 Circuit 2/3



■ P.W.B. KEP-058 – 061 Circuit 3/3



# P.W.B. KEP-064 – 068 (26) Assembly

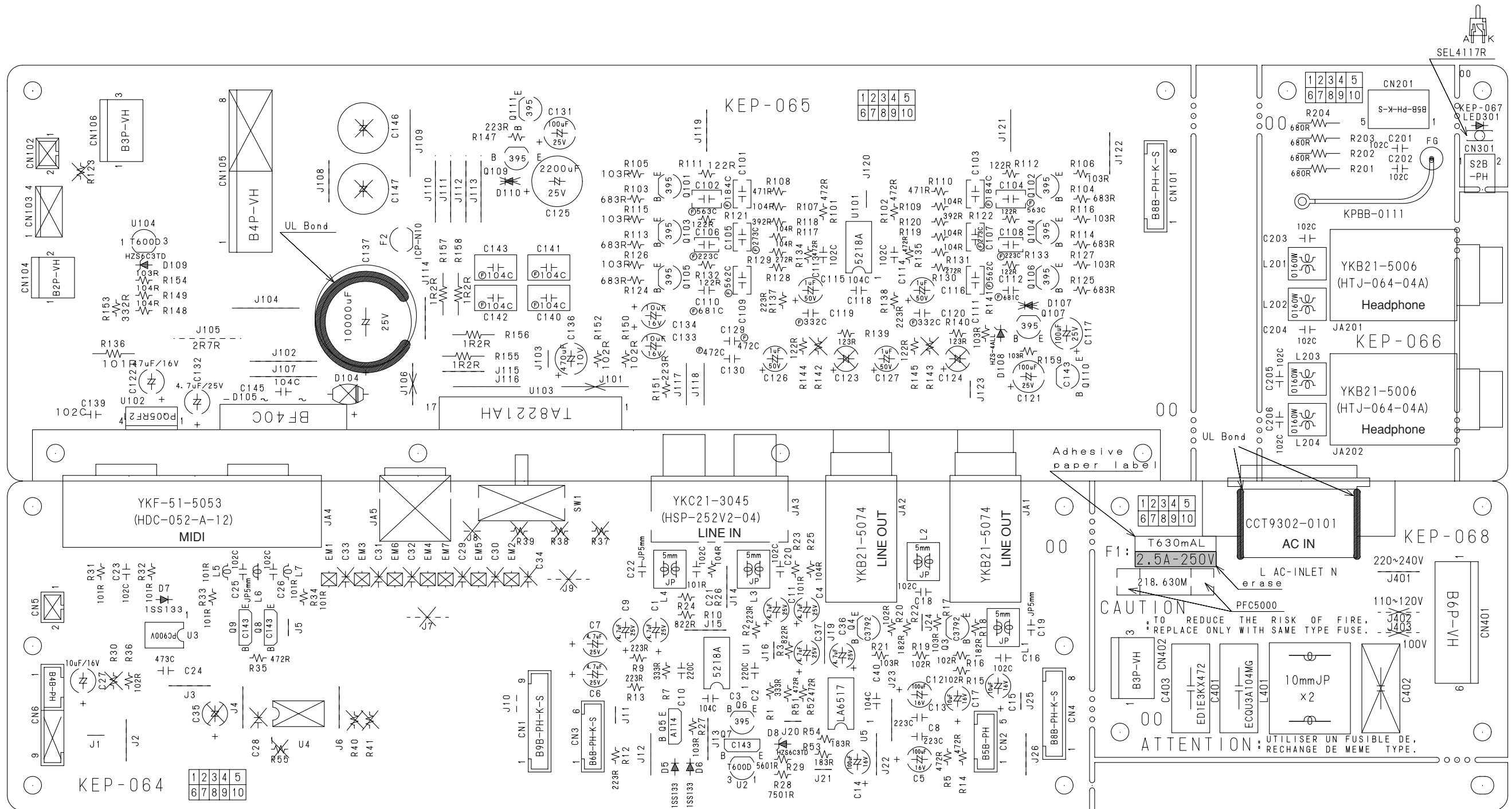


X : Not Mounted

After fixing U102, U103, D105 to the heatsink, each leg of the parts needs to be resoldered for relieving their stress.

Assemble KEP-065 board with referring the drawing KPBZ-0253.

# P.W.B. KEP-064 – 068 (27) Assembly



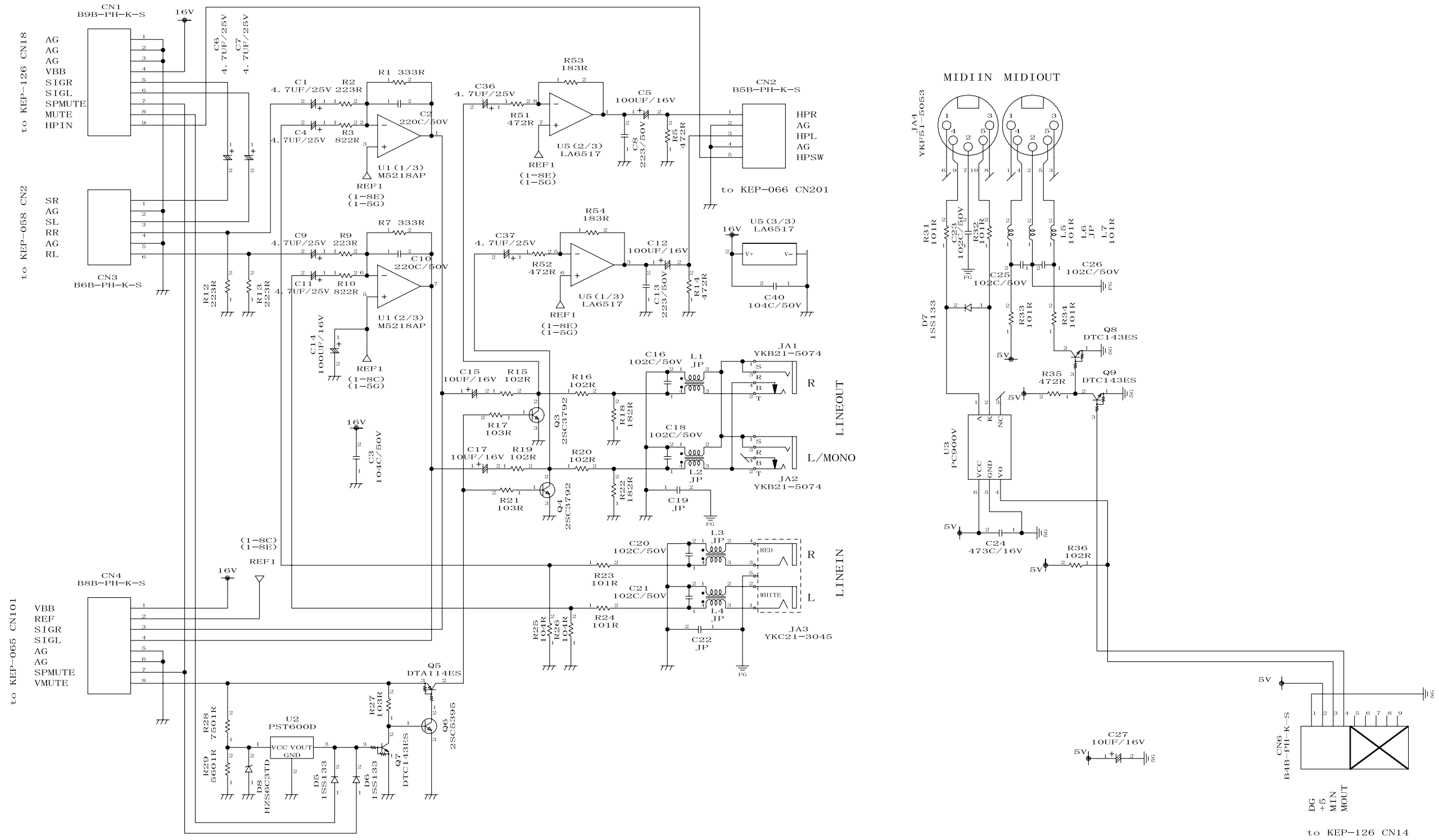
X : Not Mounted

After fixing U102, U103, D105 to the heatsink, each leg of the parts needs to be resoldered for relieving their stress.

Assemble KEP-065 board with referring the drawing KPBZ-0253.

# P.W.B. KEP-064 – 068 Circuit 1/3

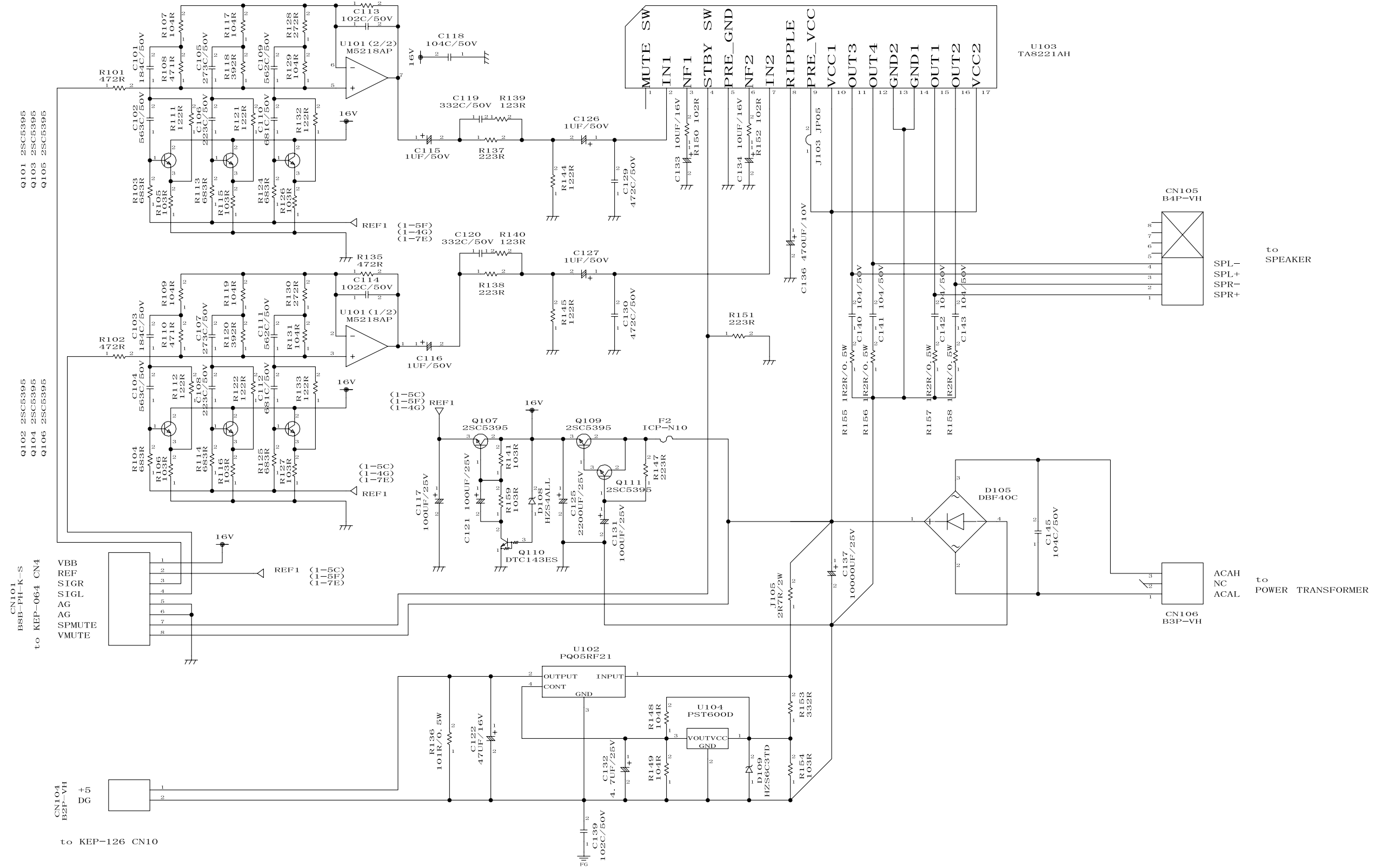
KEP-064





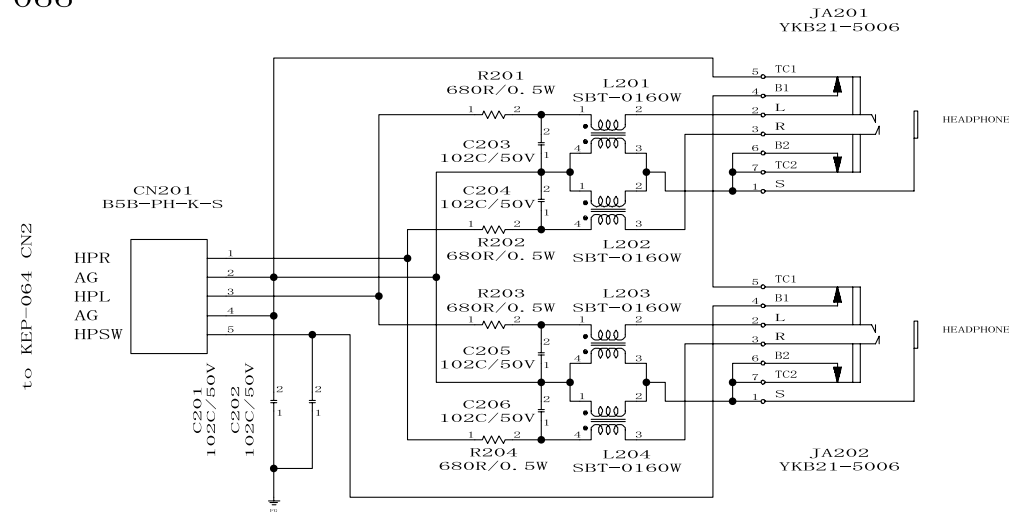
# P.W.B. KEP-064 – 068 Circuit 2/3

KEP-065



# ■ P.W.B. KEP-064 – 068 Circuit 3/3

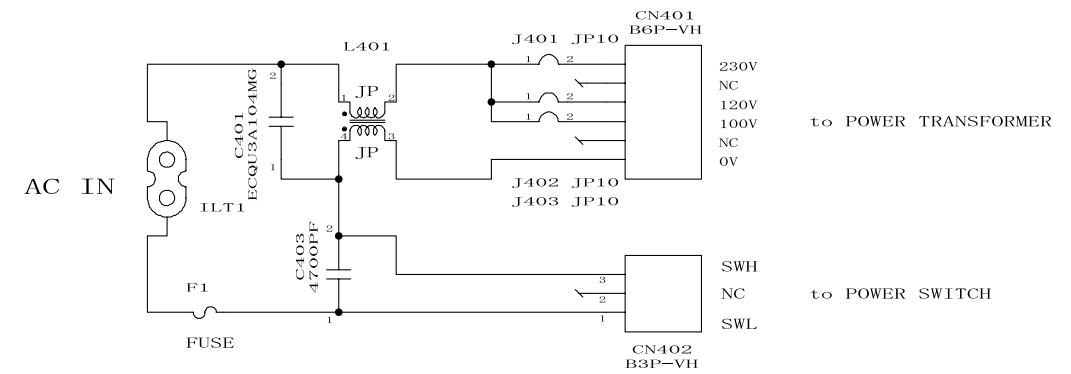
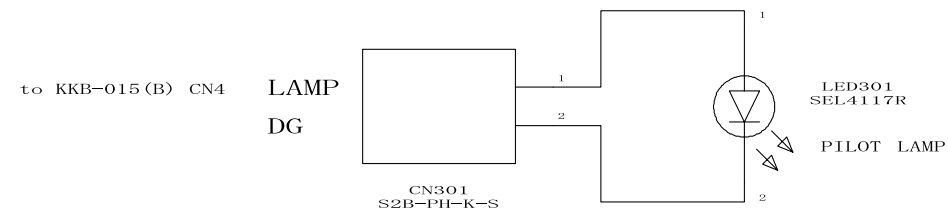
KEP-066



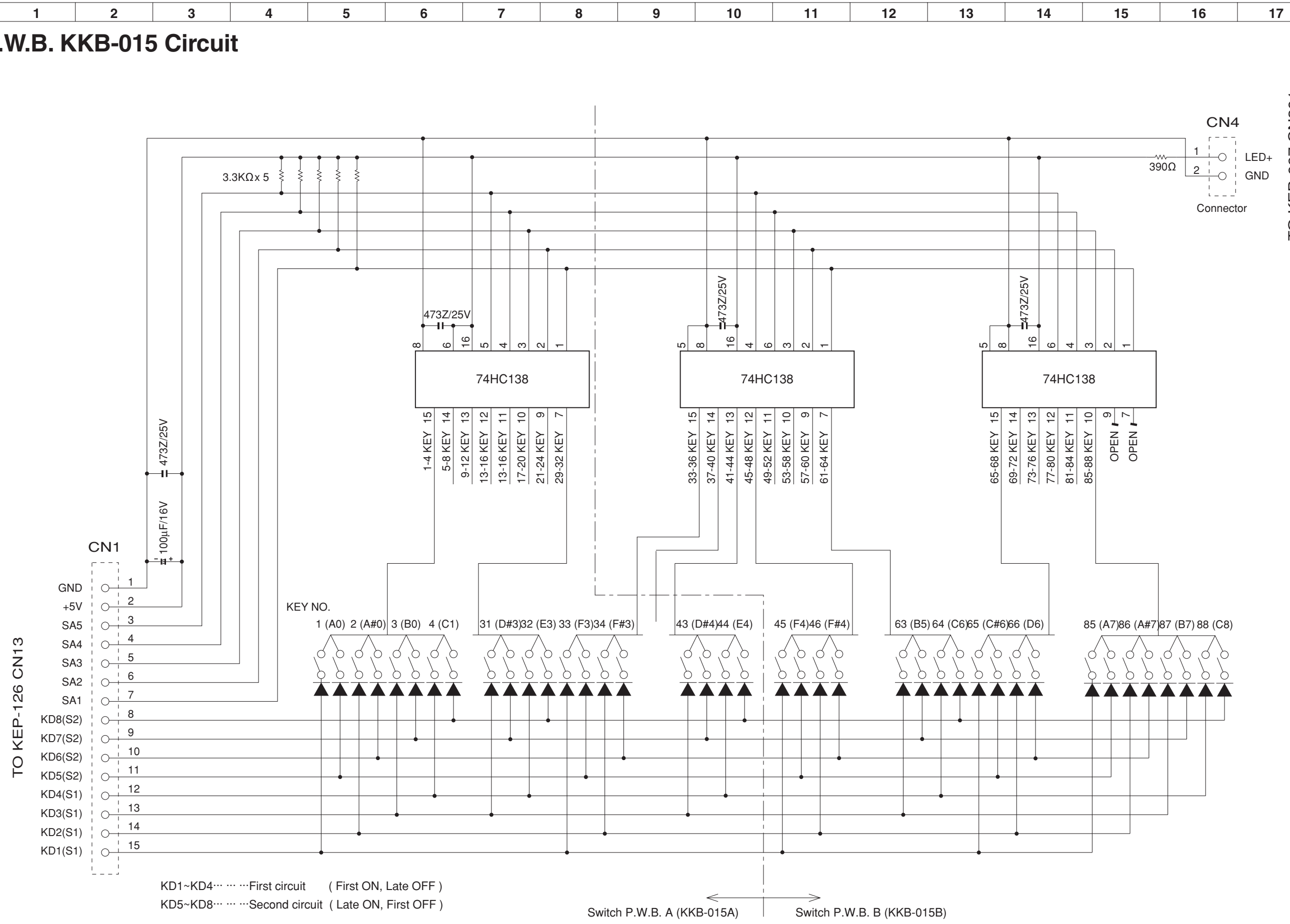
KEP-068

RATED POWER VOLTAGE	AC110-120V	AC220-240V
JUMPER ADDRESS	J402	J401
FUSE TYPE	234 02.5M (Littelfuse Inc.) * Medium-Acting Fuse 2.5A/250V 5 x 20 mm	218.630M (Littelfuse Inc.) * Time Lag Fuse 630mA/250V 5 x 20 mm
AC INLET	CCT9302-0201	CCT9302-0101

KEP-067



# ■ P.W.B. KKB-015 Circuit



	1	2	3	4	5	6	7	8	9	10	11	12	13	14	15	16	17				
A	<b>■ Key Switch Matrix</b>																		A		
B																			B		
C	KEY	NOTE	IC-PIN	S1	S2	KEY	NOTE	IC-PIN	S1	S2	KEY	NOTE	IC-PIN	S1	S2	KEY	NOTE	IC-PIN	S1	S2	C
D	1	A0	U1-15	KD1	KD5	25	A2	U1-9	KD1	KD5	49	A4	U2-11	KD1	KD5	73	A6	U3-13	KD1	KD5	D
E	2	A#0	U1-15	KD2	KD6	26	A#2	U1-9	KD2	KD6	50	A#4	U2-11	KD2	KD6	74	A#6	U3-13	KD2	KD6	E
F	3	B0	U1-15	KD3	KD7	27	B2	U1-9	KD3	KD7	51	B4	U2-11	KD3	KD7	75	B6	U3-13	KD3	KD7	F
G	4	C1	U1-15	KD4	KD8	28	C3	U1-9	KD4	KD8	52	C5	U2-11	KD4	KD8	76	C7	U3-13	KD4	KD8	G
H	5	C#1	U1-14	KD1	KD5	29	C#3	U1-7	KD1	KD5	53	C#5	U2-10	KD1	KD5	77	C#7	U3-12	KD1	KD5	H
I	6	D1	U1-14	KD2	KD6	30	D3	U1-7	KD2	KD6	54	D5	U2-10	KD2	KD6	78	D7	U3-12	KD2	KD6	I
J	7	D#1	U1-14	KD3	KD7	31	D#3	U1-7	KD3	KD7	55	D#5	U2-10	KD3	KD7	79	D#7	U3-12	KD3	KD7	J
K	8	E1	U1-14	KD4	KD8	32	E3	U1-7	KD4	KD8	56	E5	U2-10	KD4	KD8	80	E7	U3-12	KD4	KD8	K
	9	F1	U1-13	KD1	KD5	33	F3	U2-15	KD1	KD5	57	F5	U2-9	KD1	KD5	81	F7	U3-11	KD1	KD5	
	10	F#1	U1-13	KD2	KD6	34	F#3	U2-15	KD2	KD6	58	F#5	U2-9	KD2	KD6	82	F#7	U3-11	KD2	KD6	
	11	G1	U1-13	KD3	KD7	35	G3	U2-15	KD3	KD7	59	G5	U2-9	KD3	KD7	83	G7	U3-11	KD3	KD7	
	12	G#1	U1-13	KD4	KD8	36	G#3	U2-15	KD4	KD8	60	G#5	U2-9	KD4	KD8	84	G#7	U3-11	KD4	KD8	
	13	A1	U1-12	KD1	KD5	37	A3	U2-14	KD1	KD5	61	A5	U2-7	KD1	KD5	85	A7	U3-10	KD1	KD5	
	14	A#1	U1-12	KD2	KD6	38	A#3	U2-14	KD2	KD6	62	A#5	U2-7	KD2	KD6	86	A#7	U3-10	KD2	KD6	
	15	B1	U1-12	KD3	KD7	39	B3	U2-14	KD3	KD7	63	B5	U2-7	KD3	KD7	87	B7	U3-10	KD3	KD7	
	16	C2	U1-12	KD4	KD8	40	C4	U2-14	KD4	KD8	64	C6	U2-7	KD4	KD8	88	C8	U3-10	KD4	KD8	
	17	C#2	U1-11	KD1	KD5	41	C#4	U2-13	KD1	KD5	65	C#6	U3-15	KD1	KD5						
	18	D2	U1-11	KD2	KD6	42	D4	U2-13	KD2	KD6	66	D6	U3-15	KD2	KD6						
	19	D#2	U1-11	KD3	KD7	43	D#4	U2-13	KD3	KD7	67	D#6	U3-15	KD3	KD7						
	20	E2	U1-11	KD4	KD8	44	E4	U2-13	KD4	KD8	68	E6	U3-15	KD4	KD8						
	21	F2	U1-10	KD1	KD5	45	F4	U2-12	KD1	KD5	69	F6	U3-14	KD1	KD5						
	22	F#2	U1-10	KD2	KD6	46	F#4	U2-12	KD2	KD6	70	F#6	U3-14	KD2	KD6						
	23	G2	U1-10	KD3	KD7	47	G4	U2-12	KD3	KD7	71	G6	U3-14	KD3	KD7						
	24	G#2	U1-10	KD4	KD8	48	G#4	U2-12	KD4	KD8	72	G#6	U3-14	KD4	KD8						