

**Service Manual**  
**DN7204**

EVI PRO AUDIO GROUP  
Klark Teknik Building,  
Walter Nash Road, Kidderminster,  
Worcestershire DY11 7HJ,  
England

Tel:(01562)741515 Fax:(01562)745371

## **Klark Teknik DN7204 Programmable Delay Line with Equalisation**

---

To obtain maximum performance from this precision electronic product, please study these instructions carefully. Installing and operating the DN7204 is not complicated, but the flexibility provided by its operating features merits familiarization with its controls and connections.

### **After you have unpacked the unit:**

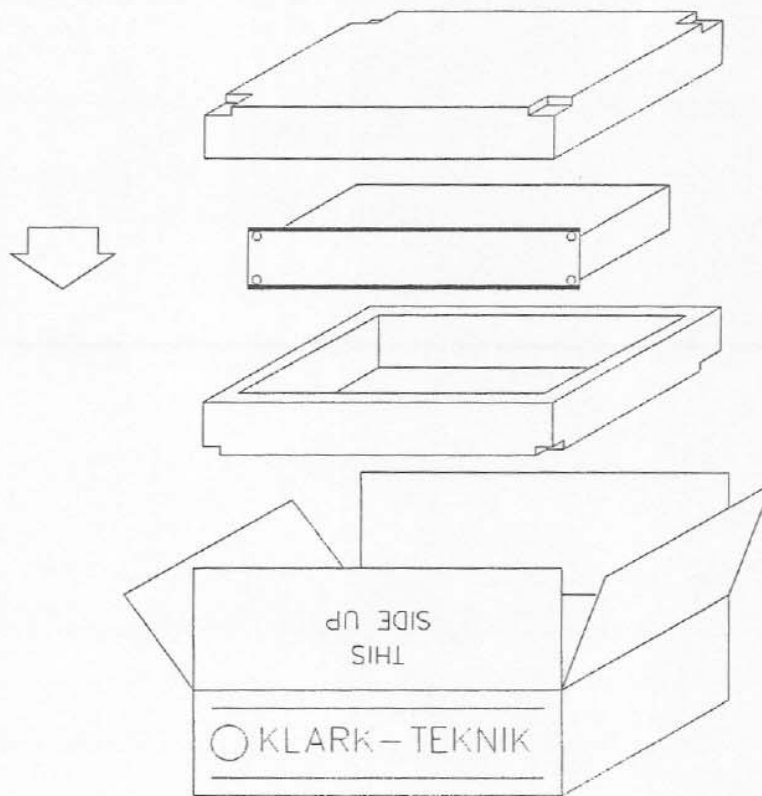
---

Save all the packing materials - they will prove valuable should it become necessary to transport or ship this product.

Please inspect this unit carefully for any signs of damage incurred during transportation. It has undergone stringent quality control inspection and tests prior to packing and left the factory in perfect condition.

If, however, the unit shows any signs of damage, notify the transportation company without delay. Only you, the consignee, may institute a claim against the carrier for damage during transportation.

If necessary, contact your supplier or as a last resort, your Klark Teknik importing agent, who will fully co-operate under such circumstances.



## INTRODUCTION

---

Designed to meet and exceed the needs of the recording, broadcast, installation and live sound industries, the Klark Teknik DN7204 Programmable Delay Line is a high quality, 2-input, 4-output configurable audio delay line that combines state-of-the-art DSP performance with ease of use. Each output may be fed from either input, giving possible configurations of Stereo 1-in, 2-out; two independent 1-in, 2-outs; 1-in, 3 out + 1-in 1-out; 1-in, 4-out. To further extend the flexibility of the Delay line, the unit also incorporates two bands of parametric equalization and a variable high frequency shelf on each output.

The maximum delay time of more than 1400 milliseconds allows total delay compensation of up to 420 meters. The delay time can be set and viewed in milliseconds, meters, centimeters, inches or feet. For these 'distance' modes, a temperature parameter can be set to compensate for environmental variations.

As well as delay and EQ, each output features adjustment of phase and level in the digital domain and an overshoot free peak limiter. The inputs and outputs all feature level trim controls in the analogue domain, for headroom optimization.

The inputs and outputs are fully balanced on XLR connectors and are wired conventionally with pin 1 as ground. Because the system is fully floating, either pin 2 or pin 3 can be designated as hot as long as the same protocol is adhered to for both the input and the output connectors.

## IMPORTANT NOTES

---

### Installation

The unit is set at the factory for 90 to 250 volt operation (50-60Hz). Power connection is made by means of an IEC standard power socket.

The DN7204 is designed for use in both fixed and mobile installations where it can be mounted in a conventional 19" rack occupying just 1U of height. In mobile situations where rough handling is a possibility, it is advisable to support the rear of the unit to prevent undue stress being placed on the front panel. Ensure that the unit has sufficient ventilation and that it is not placed directly over any device that runs hot such as a power amplifier or console power supply. Neither should the unit be exposed to direct sunlight.

### Cables:

This product should only be used with high quality, screened, twisted pair audio cables, terminated with metal bodied 3-pin XLR connectors. The cable shield should be connected to pin 1. Any other cable type or configuration for the audio signals may result in degraded performance due to electromagnetic interference.

### Protection

**CAUTION: LIVE PARTS ARE EXPOSED WHEN THE COVER IS REMOVED. VOLTAGES MAY STILL BE PRESENT WITHIN THE SWITCH MODE PSU EVEN AFTER POWER HAS BEEN REMOVED.**

DO NOT EXPOSE THIS EQUIPMENT TO RAIN OR MOISTURE.  
REFER SERVICING TO QUALIFIED SERVICE PERSONNEL.

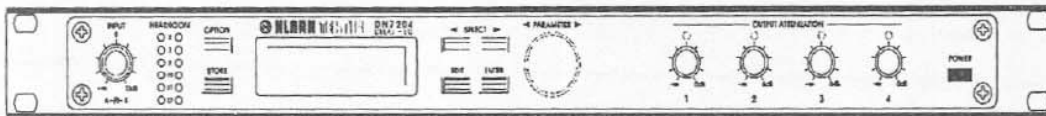
RISQUE DE SHOCK - NE PAS ENLEVER.

WARNING: THIS EQUIPMENT MUST BE EARTHED

If the unit is subjected to extreme fluctuation of temperature, eg from being transported from outside into a heated room, condensation can form. The unit should not be switched on until it has reached room temperature.

Inside the unit there is a battery to maintain the memories and settings when it is switched off. The service life of the battery is approximately 5 years. If the message "Service required, change internal battery" is displayed, contact an authorized Klark Teknik service center.

## FRONT PANEL



### Input Level Trim & Meter

These controls are used to adjust the incoming signal level to the headroom of the digital system; also to fully attenuate the signal for system troubleshooting. The signal can be boosted by 12dB.

The headroom meter indicates the incoming signal level relative to the maximum level of the digital system without clipping.

### Display

The 2 x 16 character Liquid Crystal Display shows the input to output routing in Play mode. In Edit and Options mode it shows the various parameters and their value or status.

### OPTION key

This key selects and deselects the Options mode.

### STORE key

This key allows the user to Store the current setting in any of 32 non-volatile memory locations.

### EDIT key

This key selects and deselects the Edit mode. Parameters are selected using the Select keys and adjusted using the 'Parameter' rotary encoder.

### SELECT keys

These keys Select the next or previous parameter in Edit mode, the next or previous option in Options mode or the next or previous memory in Play mode.

### PARAMETER rotary encoder

This is used to adjust parameters in Edit mode, to change settings in Options mode and to Select memories in Play mode.

### ENTER key

This key is used to recall a selected memory in Play mode.

### OUTPUTS 1 to 4 - Rotary controls

These are output attenuators for the 4 outputs. They are used to match the output levels to the maximum or desired input level of the next processor in the signal chain.

### Limit LEDs 1 to 4

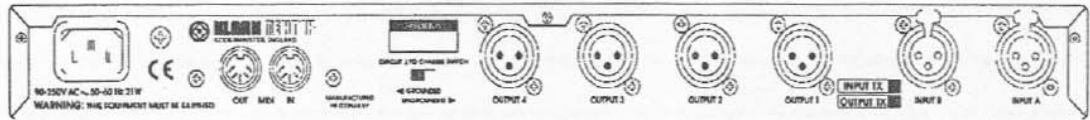
Each LED lights when the signal level for that output reaches the limiter threshold. The limiters are overshoot free types, with a true  $\infty : 1$  ratio.

### POWER switch

This switch is used to switch the unit ON and OFF.

## REAR PANEL

---



### Power Socket

The unit is designed to run from an ac supply, 90 to 250 volts, 50 to 60Hz. The unit must be earthed.

### Ground Lift switch

This switch can be used to prevent hum loops. It disconnects circuit ground from chassis earth. When connected to equipment in the same rack the switch is best left in the "grounded position". When used with remotely located equipment, that may have a different earth potential, better results may be achieved by using the "ungrounded" position.

### OUTPUTS 1 - 4 XLR sockets

These are electronically balanced for voltage and current.

### INPUTS 1 - 2 XLR sockets

These are electronically balanced.

## OPERATION

### Play mode

At switch on, the unit enters Play mode. The display shows the routing configuration (Stereo, Mono, Dual) and the last recalled memory number.

To recall a memory:

1. Step through the available memories with the Select keys, or scroll through them with the Parameter encoder.
2. Press the Enter key to recall the selected memory.

To change any parameters, enter the Edit mode by pressing the Edit key:

### Edit mode

Enter Edit mode by pressing the Edit key. You can also return to Play mode by pressing the Edit key again, or enter Store or Options mode by pressing the Store or Options keys respectively. To Edit parameters:

1. Select parameters from the parameter list by using the Select keys.
2. Adjust the parameters by turning the Parameter encoder.

**CAUTION:** Your alterations have not been stored and will be lost next time a program is recalled! A message on the display warns of this condition.

3. If you wish to save your alterations in a memory, press the Store switch. See below.

The first parameter is:

**CONFIGURATION** This may be Mono (input A to outputs 1, 2, 3, or 4), Stereo (input A to outputs 1 and 2; input B to outputs 3 and 4) or Dual (each output fed from either input). The configuration setting affects which parameters are available in the list:

### Configuration:

#### Mono

EDIT Delay Unit

EDIT Temperature‡

#### Parameter

EDITA Master Del

#### Stereo

EDIT Delay Unit

EDIT Temperature‡

EDIT Master Del

#### Dual

EDIT Delay Unit

EDIT Temperature‡

EDITA Master Del

EDITB Master Del

### List:†

EDIT① Delay

EDIT① Level

EDIT① Phase

EDIT① Limit Thr

EDIT① PEQ 1: Frq

EDIT① PEQ 1: Q

EDIT① PEQ 1: Gn

EDIT① PEQ 2: Frq

EDIT① PEQ 2: Q

EDIT① PEQ 2: Gn

EDIT① Shelf: Frq

EDIT① Shelf: Gn

EDIT② Delay

EDIT①&③ Delay

EDIT①&③ Level

EDIT①&③ Phase

EDIT①&③ Limit Thr

EDIT①&③ PEQ 1: F

EDIT①&③ PEQ 1: Q

EDIT①&③ PEQ 1: G

EDIT①&③ PEQ 2: F

EDIT①&③ PEQ 2: Q

EDIT①&③ PEQ 2: G

EDIT①&③ Shelf: F

EDIT①&③ Shelf: G

EDIT②&④ Delay

EDIT① Input

EDIT① Delay

EDIT① Level

EDIT① Phase

EDIT① Limit Thr

EDIT① PEQ 1: Frq

EDIT① PEQ 1: Q

EDIT① PEQ 1: Gn

EDIT① PEQ 2: Frq

EDIT① PEQ 2: Q

EDIT① PEQ 2: Gn

EDIT① Shelf: Frq

EDIT① Shelf: Gn

EDIT② Level	EDIT②&④ Level	EDIT② Input
EDIT② Phase	EDIT②&④ Phase	EDIT② Delay
EDIT② Limit Thr	EDIT②&④ Limit Thr	EDIT② Level
EDIT② PEQ 1: Frq	EDIT②&④ PEQ 1: F	EDIT② Phase
EDIT② PEQ 1: Q	EDIT②&④ PEQ 1: Q	EDIT② Limit Thr
EDIT② PEQ 1: Gn	EDIT②&④ PEQ 1: G	EDIT② PEQ 1: Frq
EDIT② PEQ 2: Frq	EDIT②&④ PEQ 2: F	EDIT② PEQ 1: Q
EDIT② PEQ 2: Q	EDIT②&④ PEQ 2: Q	EDIT② PEQ 1: Gn
EDIT② PEQ 2: Gn	EDIT②&④ PEQ 2: G	EDIT② PEQ 2: Frq
EDIT② Shelf: Frq	EDIT②&④ Shelf: F	EDIT② PEQ 2: Q
EDIT② Shelf: Gn	EDIT②&④ Shelf: G	EDIT② PEQ 2: Gn
EDIT③ Delay		EDIT② Shelf: Frq
EDIT③ Level		EDIT② Shelf: Gn
EDIT③ Phase		EDIT③ Input
EDIT③ Limit Thr		EDIT③ Delay
EDIT③ PEQ 1: Frq		EDIT③ Level
EDIT③ PEQ 1: Q		EDIT③ Phase
EDIT③ PEQ 1: Gn		EDIT③ Limit Thr
EDIT③ PEQ 2: Frq		EDIT③ PEQ 1: Frq
EDIT③ PEQ 2: Q		EDIT③ PEQ 1: Q
EDIT③ PEQ 2: Gn		EDIT③ PEQ 1: Gn
EDIT③ Shelf: Frq		EDIT③ PEQ 2: Frq
EDIT③ Shelf: Gn		EDIT③ PEQ 2: Q
EDIT④ Delay		EDIT③ PEQ 2: Gn
EDIT④ Level		EDIT③ Shelf: Frq
EDIT④ Phase		EDIT③ Shelf: Gn
EDIT④ Limit Thr		EDIT④ Input
EDIT④ PEQ 1: Frq		EDIT④ Delay
EDIT④ PEQ 1: Q		EDIT④ Level
EDIT④ PEQ 1: Gn		EDIT④ Phase
EDIT④ PEQ 2: Frq		EDIT④ Limit Thr
EDIT④ PEQ 2: Q		EDIT④ PEQ 1: Frq
EDIT④ PEQ 2: Gn		EDIT④ PEQ 1: Q
EDIT④ Shelf: Frq		EDIT④ PEQ 1: Gn
EDIT④ Shelf: Gn		EDIT④ PEQ 2: Frq
		EDIT④ PEQ 2: Q
		EDIT④ PEQ 2: Gn
		EDIT④ Shelf: Frq
		EDIT④ Shelf: Gn

†Note: The parameters are listed here in 'Output Priority' order. The order of parameters in the list changes for 'Parameter Priority'. See 'Options' mode.

‡Note: The Temperature parameter is only available in 'distance' mode, ie when delay units are meters, centimeters, inches or feet.



## Parameter types and ranges:

**Temperature†** The ambient air temperature of the space to be compensated for. This temperature is used for conversion of distance (meters, centimeters, inches or feet) to time (milliseconds).

Range: 0°C to 40°C in 1° steps.

**Master Delay** The basic delay time from an input to all its outputs. The total delay time from input to output is Master Delay for that input plus Delay for that output.

Range: 0 to 1400 milliseconds.

○ **Delay** The delay for output number ○.

Range: 0 to 1400 milliseconds.

○ **Level** The output level for output number ○.

Range: +12dB to -24dB in 1dB steps, plus 'Mute'.

○ **Phase** The relative phase shift for output number ○.

Range: Inverted / Not inverted.

○ **PEQ 1: Frq** Frequency of parametric EQ 1 for output number ○.

Range: 20Hz to 20kHz

○ **PEQ 1: Gn** Gain of parametric EQ 1 for output number ○.

Range: -12dB to +12dB in 1dB steps.

○ **PEQ 1: Q** Q of parametric EQ 1 for output number ○.

Range: 3 octaves to 0.08 octaves

○ **PEQ 2: Frq** Frequency of parametric EQ 2 for output number ○.

Range: 20Hz to 20kHz

○ **PEQ 2: Gn** Gain of parametric EQ 2 for output number ○.

Range: -12dB to +12dB in 1dB steps.

○ **PEQ 2: Q** Q of parametric EQ 2 for output number ○.

Range: 3 octaves to 0.08 octaves

○ **Shelf: Frq** Frequency of high-frequency shelf EQ for output number ○.

Range: 100Hz to 16kHz

○ **Shelf: Gn** Gain of high-frequency shelf EQ for output number ○.

Range: -12dB to +12dB in 1dB steps.

○ **Lim Thresh:** Threshold for the Peak Limiter on output number ○. The limiter allows no overshoot, has a true  $\infty : 1$  ratio and instantaneous attack and release phases. It is placed in the signal chain after all equalization and level controls. The limiter threshold can be set in units of dBu or volts, referenced to the output level. In both cases, it is assumed that the output attenuators are set at zero.

**Delay Unit**      Units for the Delay parameters.  
Range:              milliseconds, meters, centimeters, inches or feet

### **Store mode**

To save an edited program, or to copy a program from one location to another:

1. Press the Store switch to enter Store mode from any other.
2. The display now shows the current memory number and the destination memory number.
3. If you wish, use the rotary encoder to change the destination memory number.
4. Press the enter switch to initiate the Store.

**Note:** Up to this point, the Store process can be canceled by pressing any other switch, ie Edit or Options.

5. Press the Store switch to confirm the Store and exit the Store mode.

### **Options mode**

Use the Select switches to select Options. Use the rotary encoder to adjust them:

#### **LCD Contrast**

Rotate the encoder to adjust the LCD contrast/viewing angle.

#### **Output Priority/Parameter Priority**

Rotate the encoder to change the order of the Edit parameter list.

**Output Priority:** Parameters are grouped by output, as listed above.

**Parameter Priority:** Parameters are grouped by type, ie delay times for all outputs grouped together; level adjustment for all outputs grouped together.

#### **Lock/Unlock**

To lock the unit, preventing unauthorized adjustment of parameters and memory recall:

1. Rotate the encoder to dial in your chosen 3 digit code number.
2. Press the enter switch.

**CAUTION!** Do not forget your code number! If the code number is lost, the unit can only be unlocked after contacting the Klark Teknik factory!

To unlock the unit:

1. Rotate the encoder to dial in your chosen 3 digit code number.
2. Press the enter switch.

#### **MIDI Channel**

Rotate the encoder to select one of MIDI channels 1 to 16, OMNI or OFF.

The DN7204 will transmit and receive MIDI program change messages on the specified channel. In Omni mode, transmission is on channel 1.

#### **Limiter threshold**

The threshold for the output peak limiters can be set in units of dBu or volts. Rotate the encoder to select either dBu or volts.

## SPECIFICATIONS

---

### INPUTS

Type  
Impedance (ohm)  
    Balanced  
    Unbalanced  
Common mode rejection (1KHz)  
Max. level  
Insertion loss of optional transformers  
Analogue Gain

### TWO

Balanced (electronically)  
  
20k  
10k  
>70dB  
+21dBu  
1.5dB  
-∞ to +12dB

### OUTPUTS

Type  
Min. load impedance  
Source impedance  
Max. level  
Gain

### FOUR

Balanced (electronically)  
600ohm  
50ohm  
+21dBu into >2kohms  
-∞ to 0dB

### PERFORMANCE

Frequency response with EQ flat  
Distortion @ +4dBu  
With optional input transformer  
  
Dynamic range  
(20Hz to 20kHz unweighted)

+/-0.3dB (20Hz to 20kHz)  
<0.02% (20Hz to 20KHz)  
<0.1% (500Hz to 20KHz)  
<0.5% (20Hz to 500Hz)  
> 100dB

### POWER REQUIREMENTS

Voltage  
Consumption

90 to 250v @ 50 to 60Hz AC  
<25VA

### DIMENSIONS

Width  
Height  
Depth

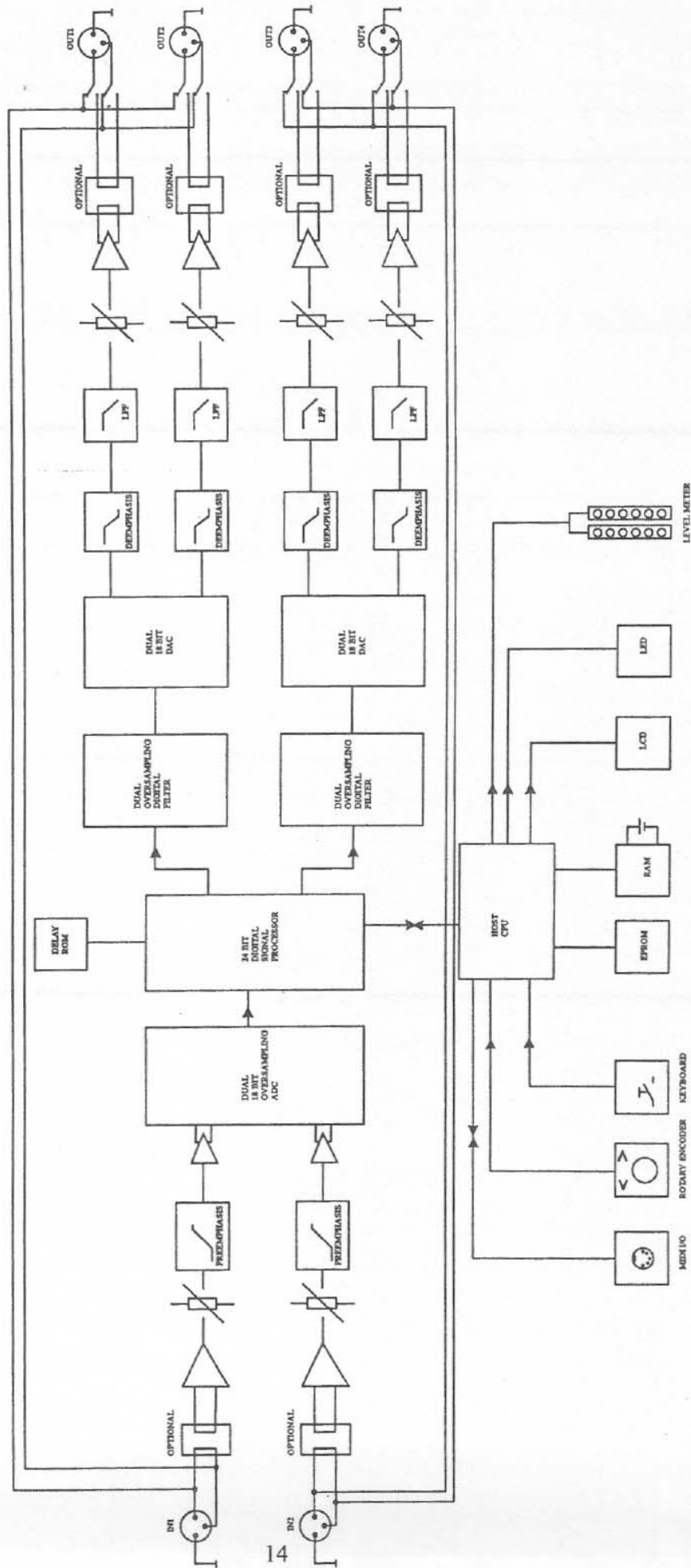
483mm (19 inches)  
43.6mm (1.75 inches)  
295mm (11.6 inches)

### WEIGHT

Net  
Shipping

4kg  
6kg

# DN7204 BLOCK DIAGRAM



SERVICE  
INFORMATION

## TEST PROGRAMS

---

The DN7204 software includes test programs to check internal function blocks.

This test mode may be accessed by pressing the 'EDIT' and 'OPTION' keys simultaneously when switching the unit on.

The following message appears briefly on the display:

**TEST MODULE  
FOR SERVICE ONLY**

The test programs can then be selected successively by means of the 'SELECT' keys or the rotary encoder. Once selected the test may be started by pressing the 'ENTER' key, the 'ENTER' key also serves to abort the test.

The test mode is exited by the program called:

**QUIT  
START = ENTER**

### Available Test Programs:

- Microprocessor ROM Test
- Microprocessor RAM Test
- DSP RAM Test
- Battery Test
- MIDI Test
- LED Test
- Display Test
- Key Test
- Encoder Test
- A/D Adjust
- Original Through
- Sine Wave Output
- Quit

## MICROPROCESSOR ROM TEST

---

uP - ROM TEST  
START = ENTER

When 'ENTER' is pressed the display shows:

Testing uP - ROM

.....

The EPROM's of the host processor are checked. A check sum is calculated from the entire contents of the EPROM. The test cannot be interrupted. If no error is found the display shows:

uP - ROM TEST OK

<< >>

If an error is detected the following appears:

uP-ROM TEST FAIL

<<Check: XXh>>

## MICROPROCESSOR RAM TEST

---

uP - RAM TEST  
START = ENTER

This program tests the SRAM in the DN7204 processor system. To do so, various bit patterns are written into all RAM addresses and re-read.

**WARNING! All data in the RAM will be lost during this test!**

When 'ENTER' is pressed the following message appears on the display:

Warning: Data in  
RAM will be lost



## MICROPROCESSOR RAM TEST Cont..

By pressing 'ENTER' again the test program is started and the following message appears on the display:

```
Testing uP - RAM
.....
```

The test cannot be interrupted! If no error is found, the following message appears on the display:

```
uP - RAM TEST OK
<< >>
```

If an error is detected in the data bus, the faulty line is displayed:

```
uP - RAM TEST FAIL
<< at D XX >>
```

If an address error occurs, the display shows the first RAM address where a write/read error occurred:

```
uP - RAM TEST FAIL
<< at XXXh >>
```

## DSP - RAM TEST

```
DSP - RAM TEST FAIL
START = ENTER
```

This program tests the delay memory in the DN7204. After pressing the 'ENTER' key the data and address busses from the DSP to RAM are checked. The display shows:

```
Testing DSP - RAM
.....
```

If no error is found, the display shows:

```
DSP - RAM TEST OK
<< >>
```

If an error is detected, the faulty data or address line is displayed:

**DSP - RAM TEST FAIL  
AT D XX**

Now the test can be continued by pressing any key except 'SELECT' and 'ENTER'. The test is aborted by pressing the 'SELECT' or 'ENTER' key.

### **BATTERY TEST**

---

**BATTERY TEST  
START = ENTER**

The DN7204 incorporates a lithium battery to supply the SRAM with the necessary power when the unit is switched off. The battery voltage is constantly monitored by the unit and can be indicated on the display in this test. After the program has been called up via 'ENTER', the following message appears in the display:

**Testing BATTERY  
U: 3.0V**

The test can also be aborted via 'ENTER' and then the following message appears on the display:

**BATT. TEST OK  
<< >>**

If the battery voltage drops below 2.5v the following error message is displayed:

**BATT. TEST FAILED  
<< >>**

The battery should then be changed as soon as possible.

## MIDI TEST

---

**MIDI TEST  
START = ENTER**

This program checks the MIDI interface in the DN7204. The MIDI IN and MIDI OUT sockets must be connected by a midi cable. After pressing 'ENTER' the display shows:

**Testing MIDI**

If the connection between in and out is OK, the test is finished with the message:

**MIDI TEST OK  
<< >>**

If the transmitted data is not received, the following message appears:

**NO MIDI RECIEVED**

The test is then aborted with the message:

**MIDI TEST - FAILED  
<< >>**

## LED TEST

---

**LED TEST  
START = ENTER**

This program serves to check all the LED's on the front panel. After pressing 'ENTER' the following appears in the display:

**TESTING LEDs**

The test starts with individual triggering of the status LED's. Then all LED segments are switched on. The program ends automatically and the display shows.

**LED TEST done**

## DISPLAY TEST

---

**DISPLAY TEST**  
**START = ENTER**

This program serves to check the LCD display and contrast settings. After the program has started, the LCD shows a pattern. This is so the user can check all the pixels are being activated and are working properly. The following appears on the display:

**LCD CONTRAST:**  
**--- 0 ---**

With the rotary encoder the display contrast can be adjusted between -10 to +10. The test is exited via the 'ENTER' key and the following appears on the display:

**DISP. TEST done**  
**<< >>**

The contrast value set is maintained even when the unit is switched off.

## KEY TEST

---

**KEY TEST**  
**START = ENTER**

This program checks the keyboard of the DN7204. When enter is pressed the following appears on the display:

**Press all Keys**

If a key is pressed the key designation appears in the second line accordingly. After all the keys have been activated successfully the display shows:

**KEY TEST OK**  
**<< >>**

The key test can be aborted at any time via 'ENTER'.

## ENCODER TEST

---

**ENCODER TEST  
START = ENTER**

This program checks the operation of the rotary encoder. When 'ENTER' is pressed the following appears in the display:

**TURN ENCODER**

If the encoder is rotated, the direction of the counter pulses are shown in the second line. One full rotation complies with 30 pulses. Pressing 'ENTER' will terminate the program and the following appears in the display:

**ENC. TEST DONE  
<< >>**

## A/D ADJUST

---

**A/D ADJUST  
START = ENTER**

This test allows the DC offset of the A/D converters to be set. When 'ENTER' is pressed the display shows a 6 digit positive or negative value for each input channel:

**CH1 AD-TEST CH2  
+000000 -000000**

Both channels must be adjusted to 0 with the pre-sets R119 (CH1) and R219 (CH2). The test is terminated by 'ENTER' and the display shows:

**A/D ADJUST done  
<< >>**

**NOTE:** For correct adjustment it is necessary that the unit is switched on for some time in order to bring the internal components to operating temperature.

## **ORIGINAL THROUGH**

---

**ORIGINAL THRU  
START = ENTER**

With this program the input data of the DSP is passed through directly to the outputs. No additional signal processing is performed. The inputs and outputs are configured, input 1 goes to outputs 1 & 2, input 2 goes to outputs 3 & 4. The display shows:

**ORIGINAL thru  
Level: 0 dB**

With the rotary encoder a level between 0 and -99 dB can be set. The test is terminated by 'ENTER' and the display shows:

**THRU TEST done  
<< >>**

## **SINE WAVE OUT**

---

**SINE WAVE OUT  
START = ENTER**

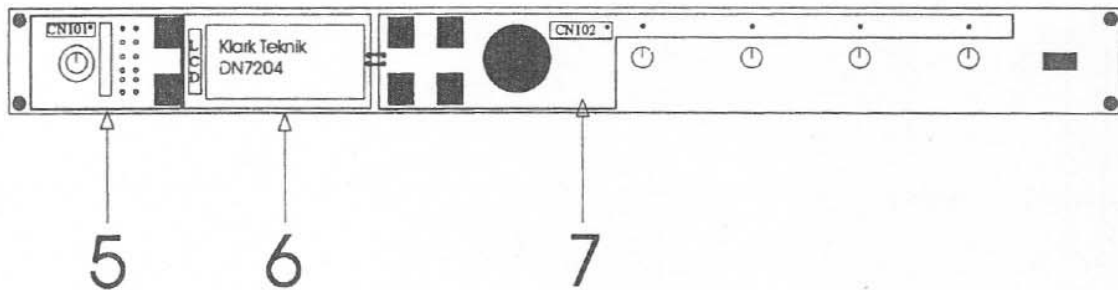
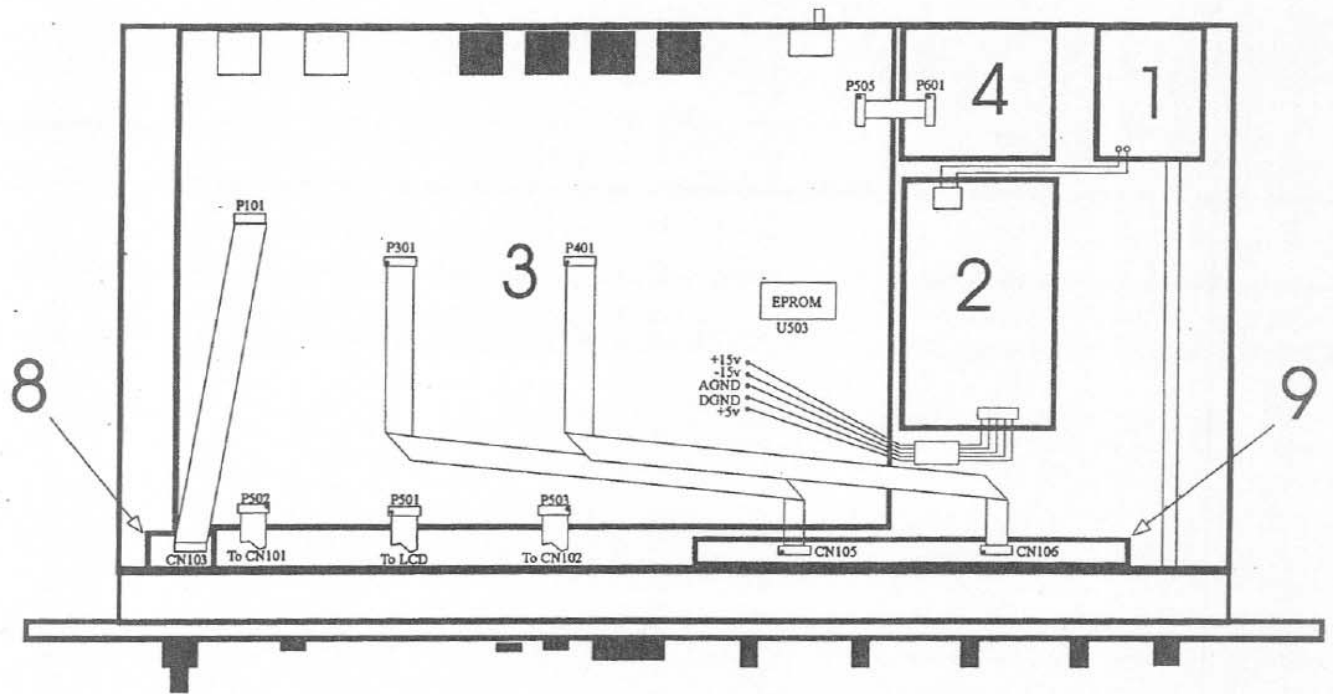
This test checks the complete signal path post DSP (digital filters, D/A converters, output channels). After pressing the 'ENTER' key the DSP generates a sine wave and feeds it to all 4 channels:

**SINE Wave 250Hz  
Level: -24dB**

With the rotary encoder a level between 0 and -99dB can be set. The test is terminated by 'ENTER' and the display shows:

**SINE TEST done  
<< >>**

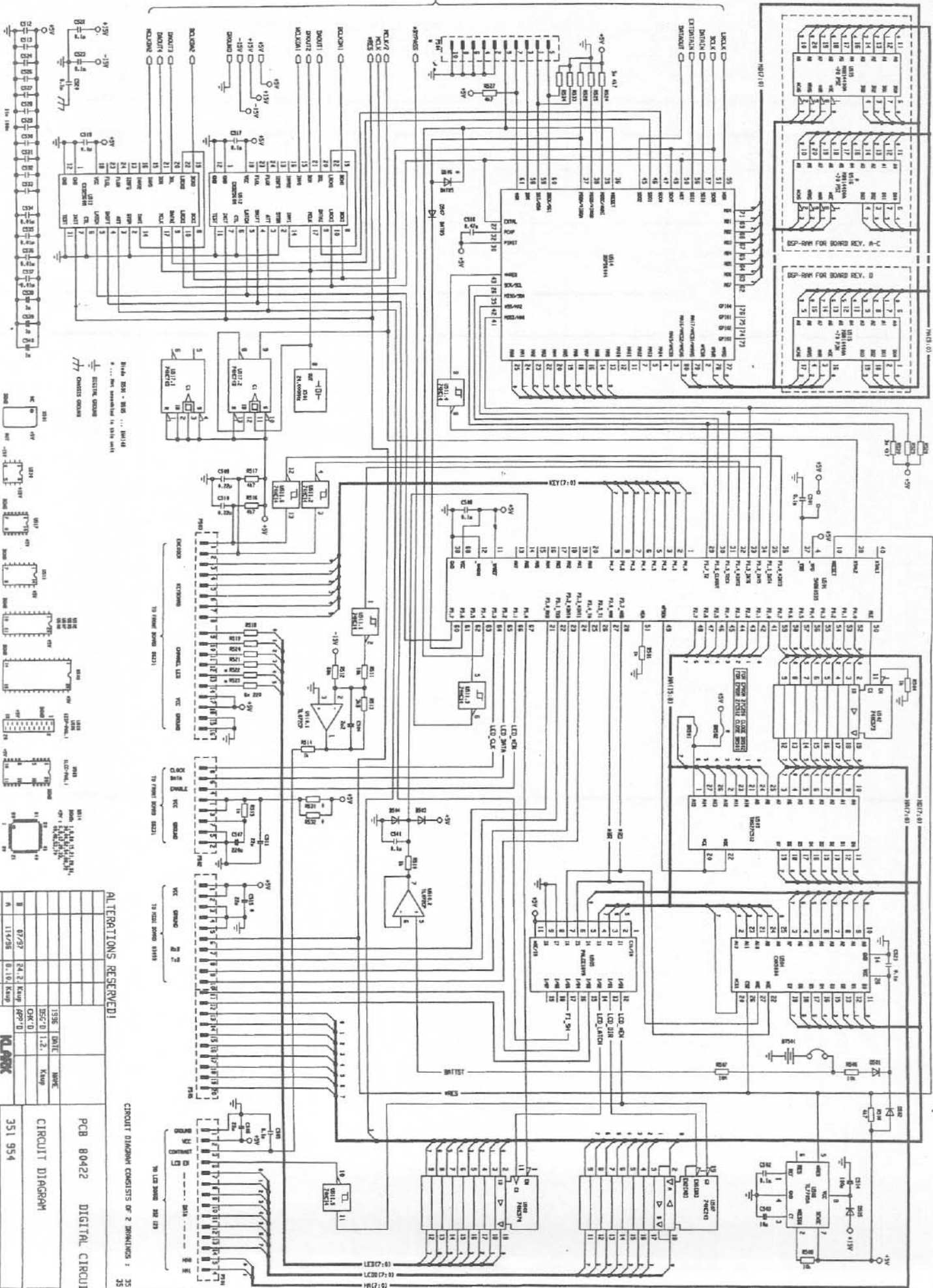
# DN7204 Board Layout Overview



- |                              |                                     |
|------------------------------|-------------------------------------|
| 1 - PSU FILTER BOARD         | 6 - FRONT PANEL LCD DISPLAY         |
| 2 - SWITCH MODE POWER SUPPLY | 7 - FRONT PANEL SWITCH BOARD        |
| 3 - MAIN BOARD               | 8 - INPUT LEVEL POT MOUNTING BOARD  |
| 4 - MIDI BOARD               | 9 - OUTPUT LEVEL POT MOUNTING BOARD |
| 5 - FRONT PANEL METER BOARD  |                                     |







Board 8042 - 8042 ... 8042  
... for connection to 8042  
ELECTRIC CIRCUIT  
CHANGES PERMITTED

ALTERATIONS RESERVED

CIRCUIT DIAGRAM CONSISTS OF 2 DRAWINGS: 351 954  
351 955

PCB 80422 DIGITAL CIRCUIT

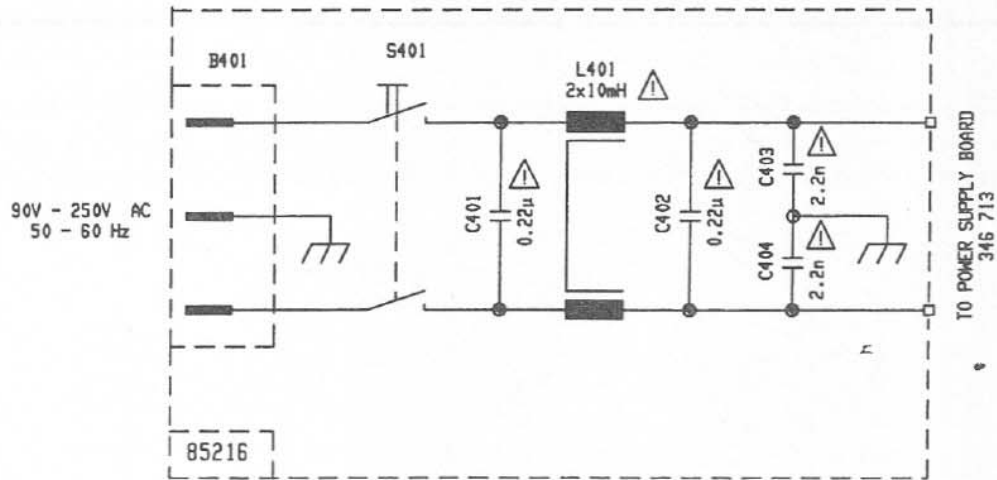
CIRCUIT DIAGRAM

351 954

REV	DATE	BY	CHK'D	APP'D
1	07/27	34.2 Kemp	gpp	
2	11/28	0.10 Kemp		

351 954

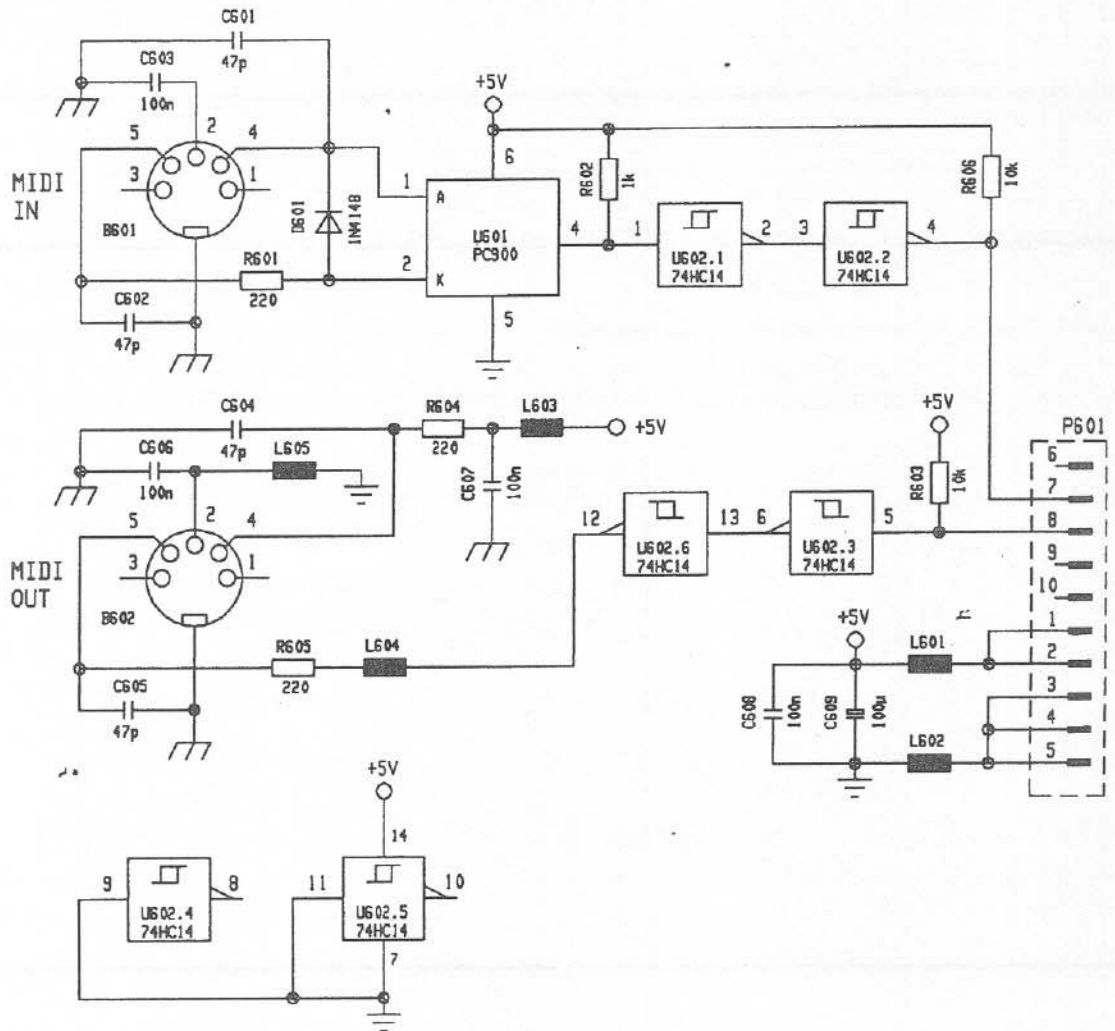




SAFETY COMPONENT  
(MUST BE REPLACED BY ORIGINAL PART)

ALTERATIONS RESERVED!

						LINE FILTER 85216		
				1992	DATE	NAME		
				DSG'D	16.03	Kaup		
				CHK'D	06.05	Kaup		
				APP'D				
				<b>KLARK TEKNIK</b>		344 859		
SYMB.	REVISION	DATE	NAME			DN7103 / DN7204		
								4-



TO PCB 80421/80422 - P505

ALTERATIONS RESERVED!

						MIDI BOARD 83099	
				1997	DATE	NAME	
				DSG'D	24.2.	Kaup	
				CHK'D		CIRCUIT DIAGRAM	
				APP'D		348 752	
				<b>KLARK</b> <b>TECHNIX</b>		4-	
SYMR	REVISION	DATE	NAME			DN7102 / DN7204	