

# *Service Manual*

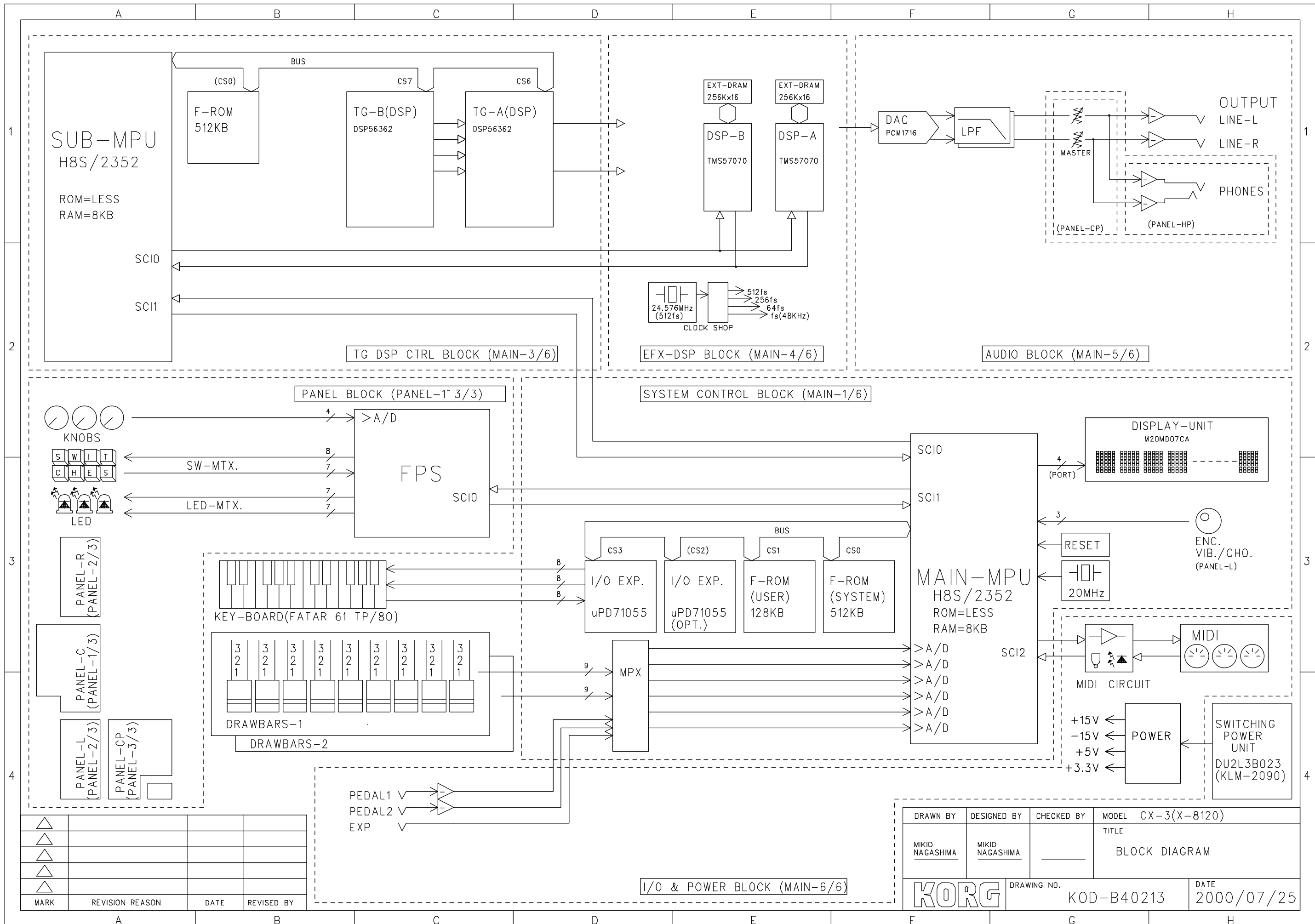
## **COMBO ORGAN CX-3**

### **Provisional Version**

#### **CONTENTS**

1) Structural Diagram	-----	Not yet
2) Block Diagram	-----	2
3) Circuit Diagram	-----	3
4) Diagnostics	-----	15
5) Parts List	-----	16

Revision: 1.00  
Issued date: Nov. 1st, 2000  
Issued by: KORG INC.



SUB-MPU  
H8S/2352

ROM=LESS  
RAM=8KB

F-ROM  
512KB

TG-B(DSP)  
DSP56362

TG-A(DSP)  
DSP56362

EXT-DRAM  
256Kx16

DSP-B  
TMS57070

EXT-DRAM  
256Kx16

DSP-A  
TMS57070

DAC  
PCM1716

LPF

OUTPUT  
LINE-L

LINE-R

PHONES

TG DSP CTRL BLOCK (MAIN-3/6)

EFX-DSP BLOCK (MAIN-4/6)

AUDIO BLOCK (MAIN-5/6)

PANEL BLOCK (PANEL-1 3/3)

SYSTEM CONTROL BLOCK (MAIN-1/6)

3 KNOBS

SWITCHES  
S W I T  
C H E S

LED

A/D  
FPS  
SCI0

MAIN-MPU  
H8S/2352  
ROM=LESS  
RAM=8KB  
SCI0  
SCI1  
SCI2

DISPLAY-UNIT  
M20MD07CA

PANEL-R  
(PANEL-2/3)

PANEL-C  
(PANEL-1/3)

PANEL-L  
(PANEL-2/3)

PANEL-CP  
(PANEL-3/3)

KEY-BOARD(FATAR 61 TP/80)

DRAWBARS-1  
DRAWBARS-2

I/O EXP.  
uPD71055

I/O EXP.  
uPD71055 (OPT.)

F-ROM (USER)  
128KB

F-ROM (SYSTEM)  
512KB

MPX

RESET  
20MHz

ENC. VIB./CHO.  
(PANEL-L)

MIDI CIRCUIT

POWER  
+15V  
-15V  
+5V  
+3.3V

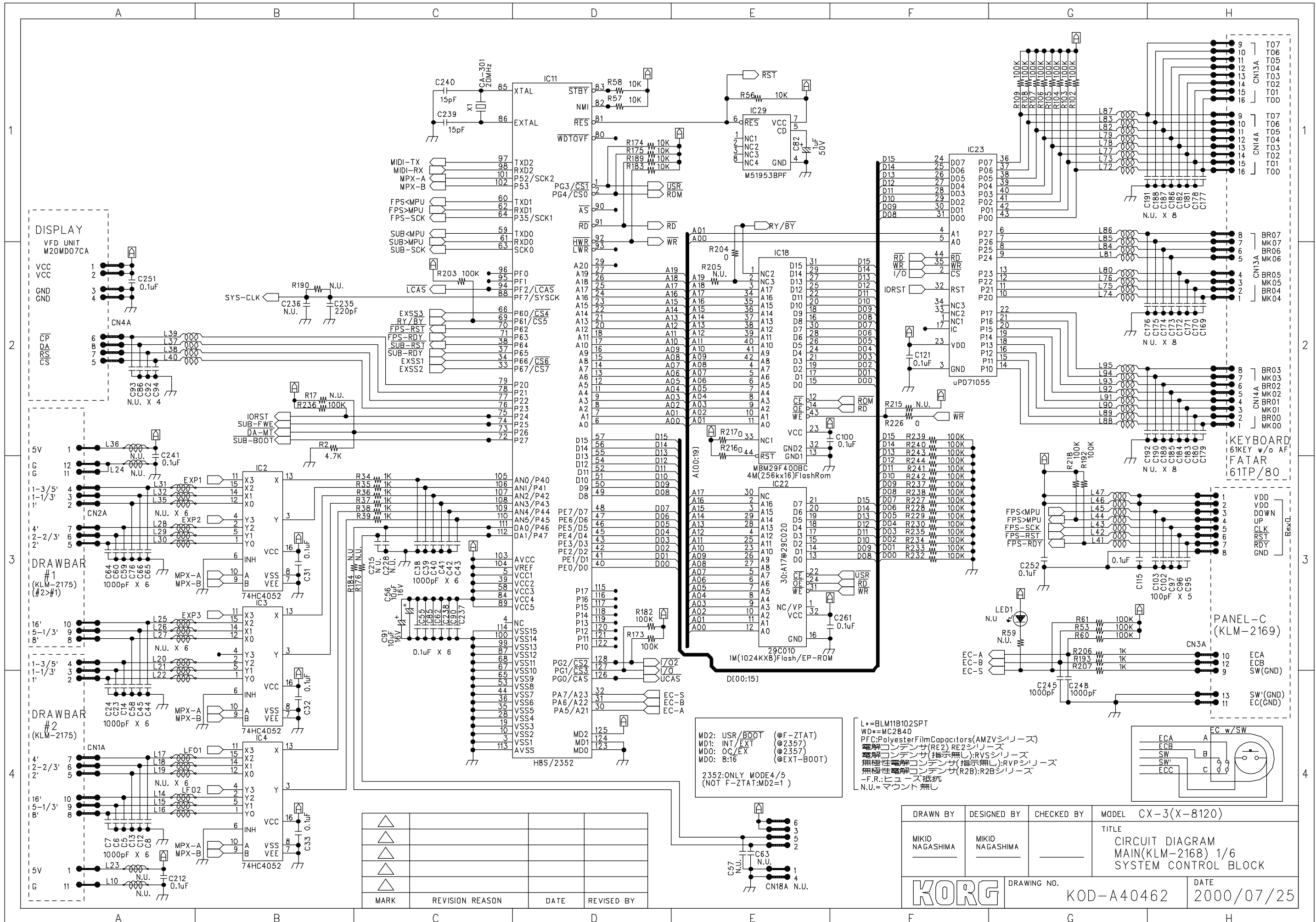
SWITCHING POWER UNIT  
DU2L3B023 (KLM-2090)

PEDAL1  
PEDAL2  
EXP

I/O & POWER BLOCK (MAIN-6/6)

MARK	REVISION	REASON	DATE	REVISED BY
△				
△				
△				
△				

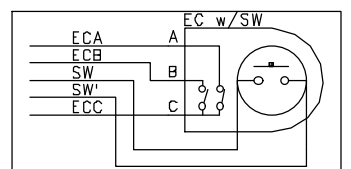
DRAWN BY MIKIO NAGASHIMA	DESIGNED BY MIKIO NAGASHIMA	CHECKED BY	MODEL CX-3(X-8120)
TITLE BLOCK DIAGRAM			
DRAWING NO. KORG KOD-B40213		DATE 2000/07/25	



MD2: USR/BOOT (@F-ZTAT)  
 MD1: INT/EXT (@2357)  
 MD0: OC/EX (@2357)  
 MDO: 8:16 (@EXT-BOOT)

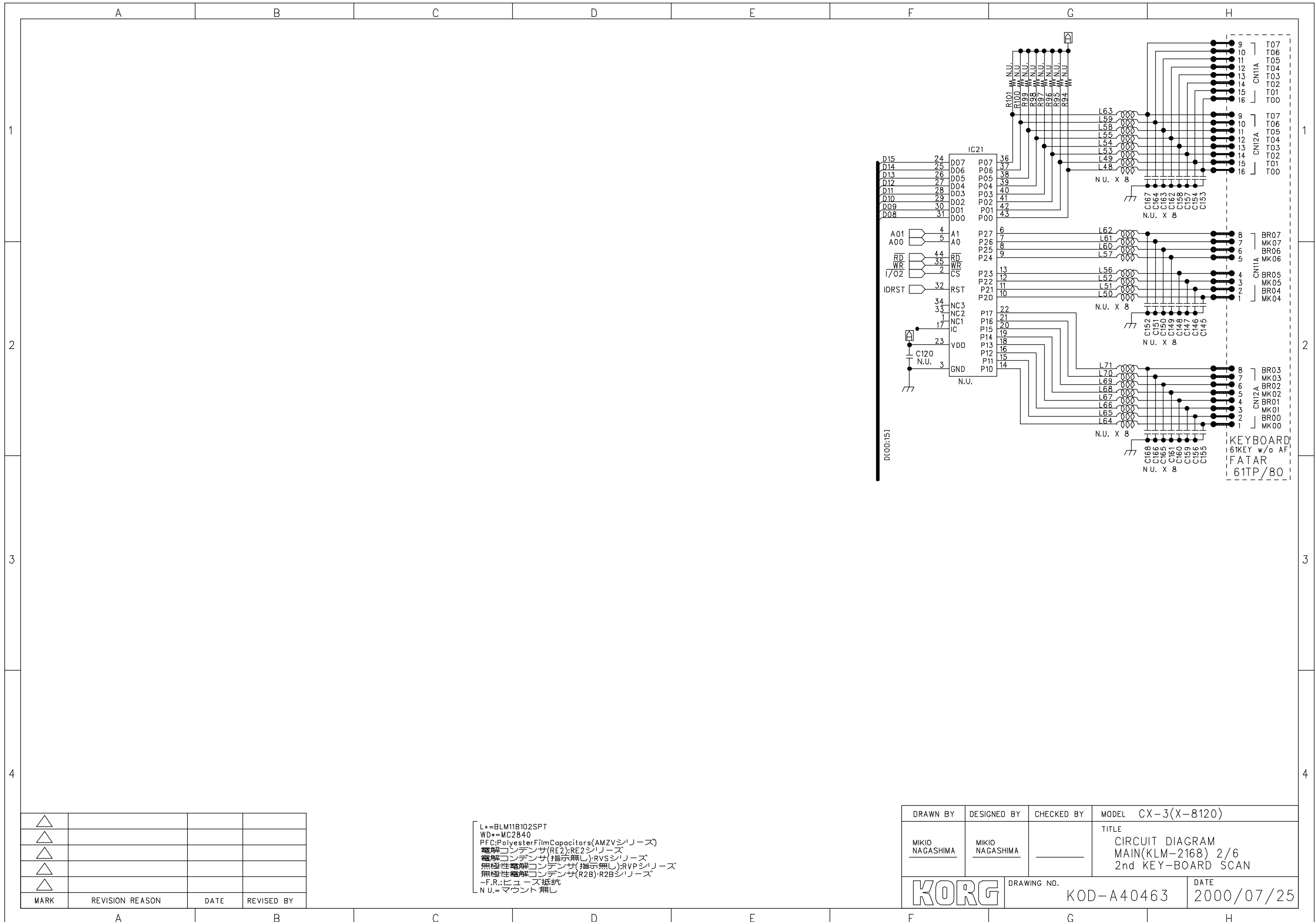
2352-ONLY MODE4/5  
 (NOT F-ZTAT;MD2=1)

L\*=BLM11B102SPT  
 WD\*=MC2B40  
 PFC:PolyesterFilmCapacitors(AMZVシリーズ)  
 電解コンデンサ(RE2) RE2シリーズ  
 電解コンデンサ(指示無し):RVSシリーズ  
 無極性電解コンデンサ(指示無し):RVPシリーズ  
 無極性電解コンデンサ(R2B):R2Bシリーズ  
 -F.R.:ヒューズ抵抗  
 N.U.=マウント無し



MARK	REVISION REASON	DATE	REVISED BY

DRAWN BY	DESIGNED BY	CHECKED BY	MODEL CX-3(X-8120)
MIKIO NAGASHIMA	MIKIO NAGASHIMA		TITLE
			CIRCUIT DIAGRAM
			MAIN(KLM-2168) 1/6
			SYSTEM CONTROL BLOCK
DRAWING NO.		DATE	
KORG		KOD-A40462	2000/07/25

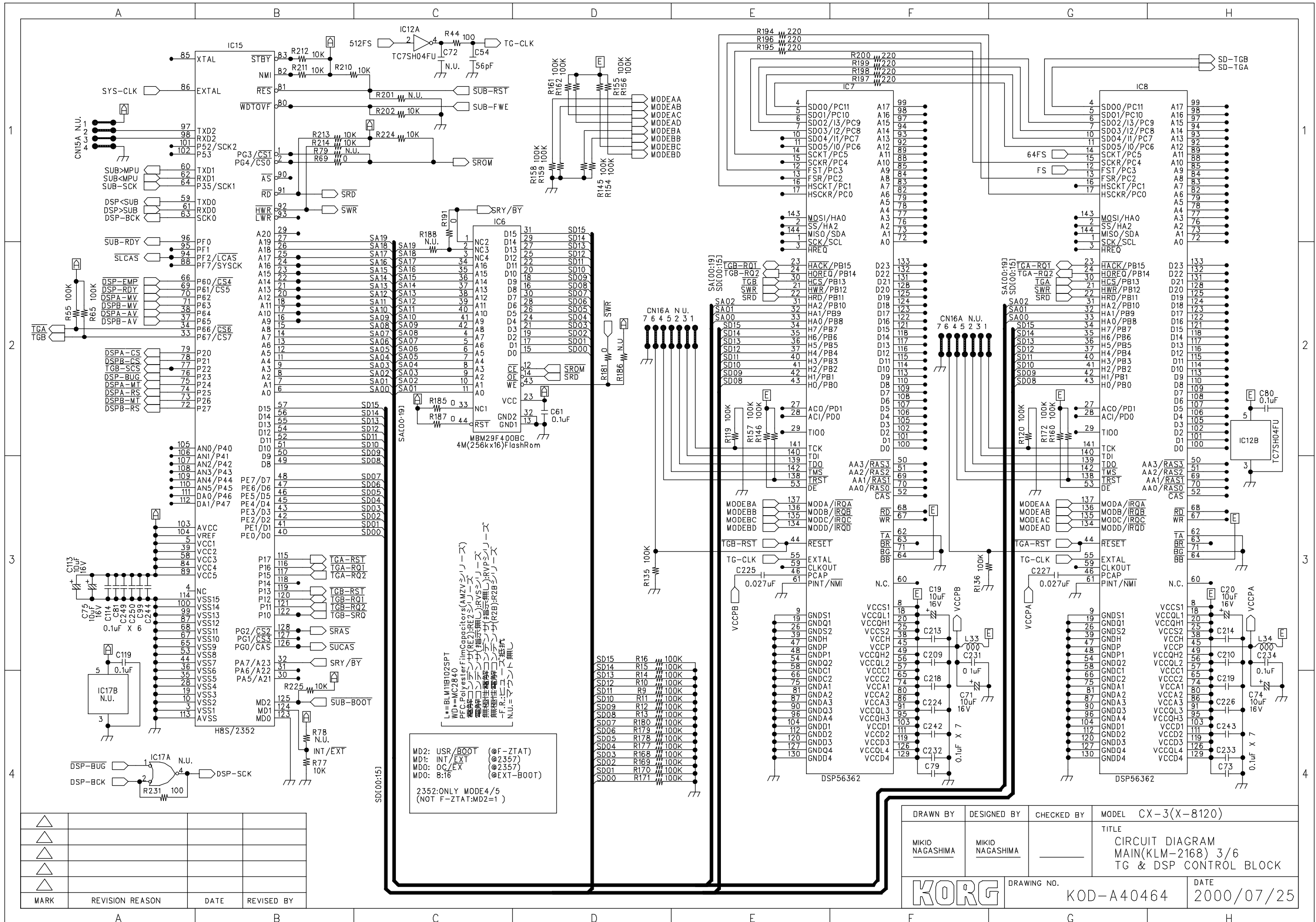


D100:151

MARK	REVISION REASON	DATE	REVISED BY
△			
△			
△			
△			
△			

L\*=BLM11B102SPT  
 WD\*=MC2B40  
 PFC:PolyesterFilmCapacitors(AMZVシリーズ)  
 電解コンデンサ(RE2):RE2シリーズ  
 電解コンデンサ(指示無し):RVSシリーズ  
 無極性電解コンデンサ(指示無し):RVPシリーズ  
 無極性電解コンデンサ(R2B):R2Bシリーズ  
 -F,R.:ヒューズ抵抗  
 N.U.=マウント無し

DRAWN BY	DESIGNED BY	CHECKED BY	MODEL CX-3(X-8120)
MIKID NAGASHIMA	MIKID NAGASHIMA		TITLE CIRCUIT DIAGRAM MAIN(KLM-2168) 2/6 2nd KEY-BOARD SCAN
		DRAWING NO.	DATE
		KOD-A40463	2000/07/25

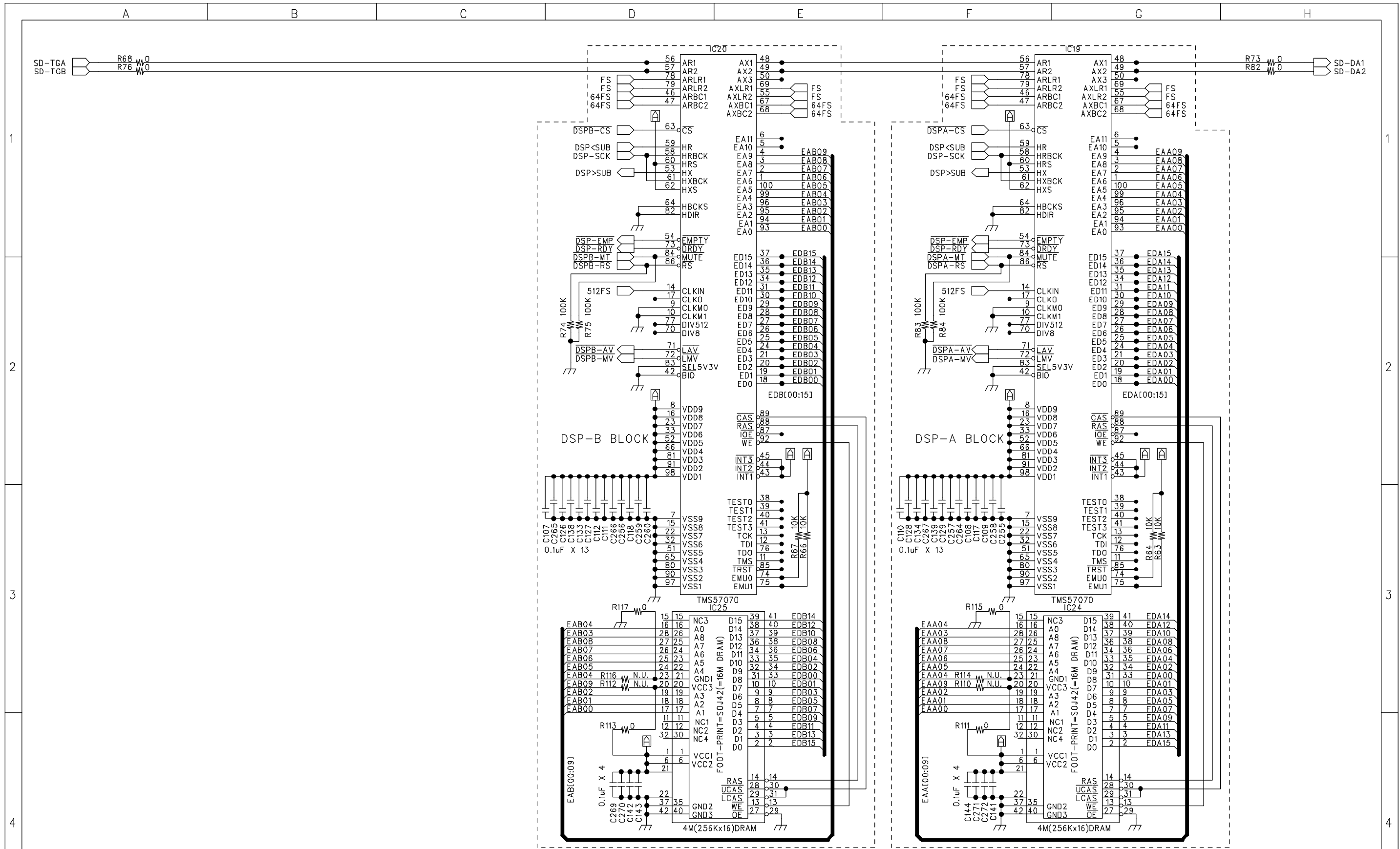


MD2: USR/BOOT (@F-ZTAT)  
 MD1: INT/EXT (@2357)  
 MD0: OC/EX (@2357)  
 MD0: 8:16 (@EXT-BOOT)

2352: ONLY MODE4/5  
 (NOT F-ZTAT: MD2=1)

DRAWN BY	DESIGNED BY	CHECKED BY	MODEL CX-3(X-8120)
MIKID NAGASHIMA	MIKID NAGASHIMA		TITLE CIRCUIT DIAGRAM MAIN(KLM-2168) 3/6 TG & DSP CONTROL BLOCK
DRAWING NO. KOD-A40464			DATE 2000/07/25

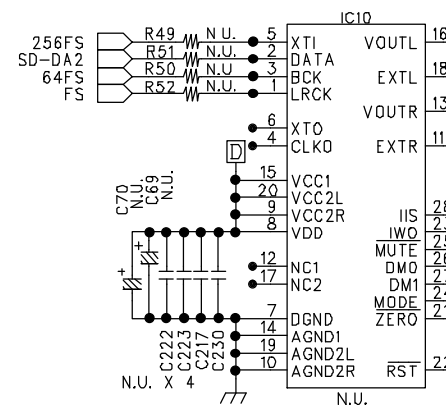
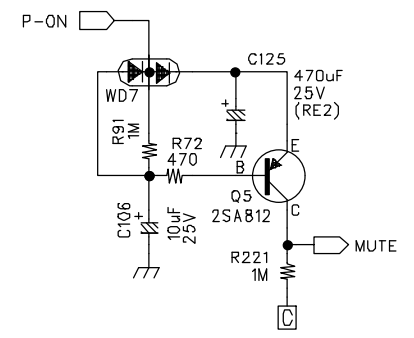
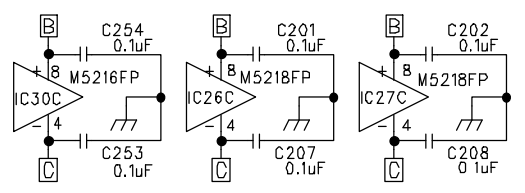
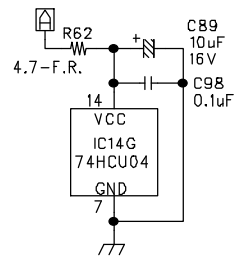
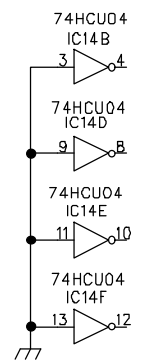
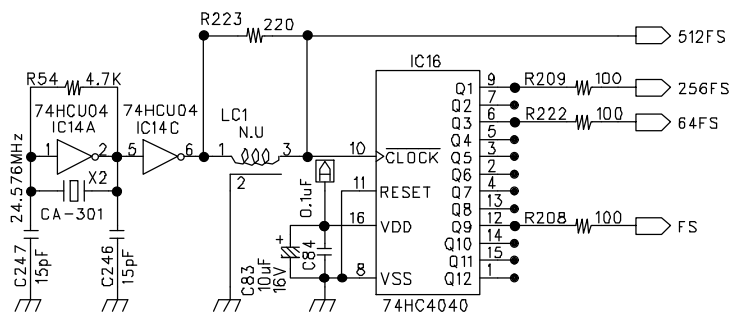
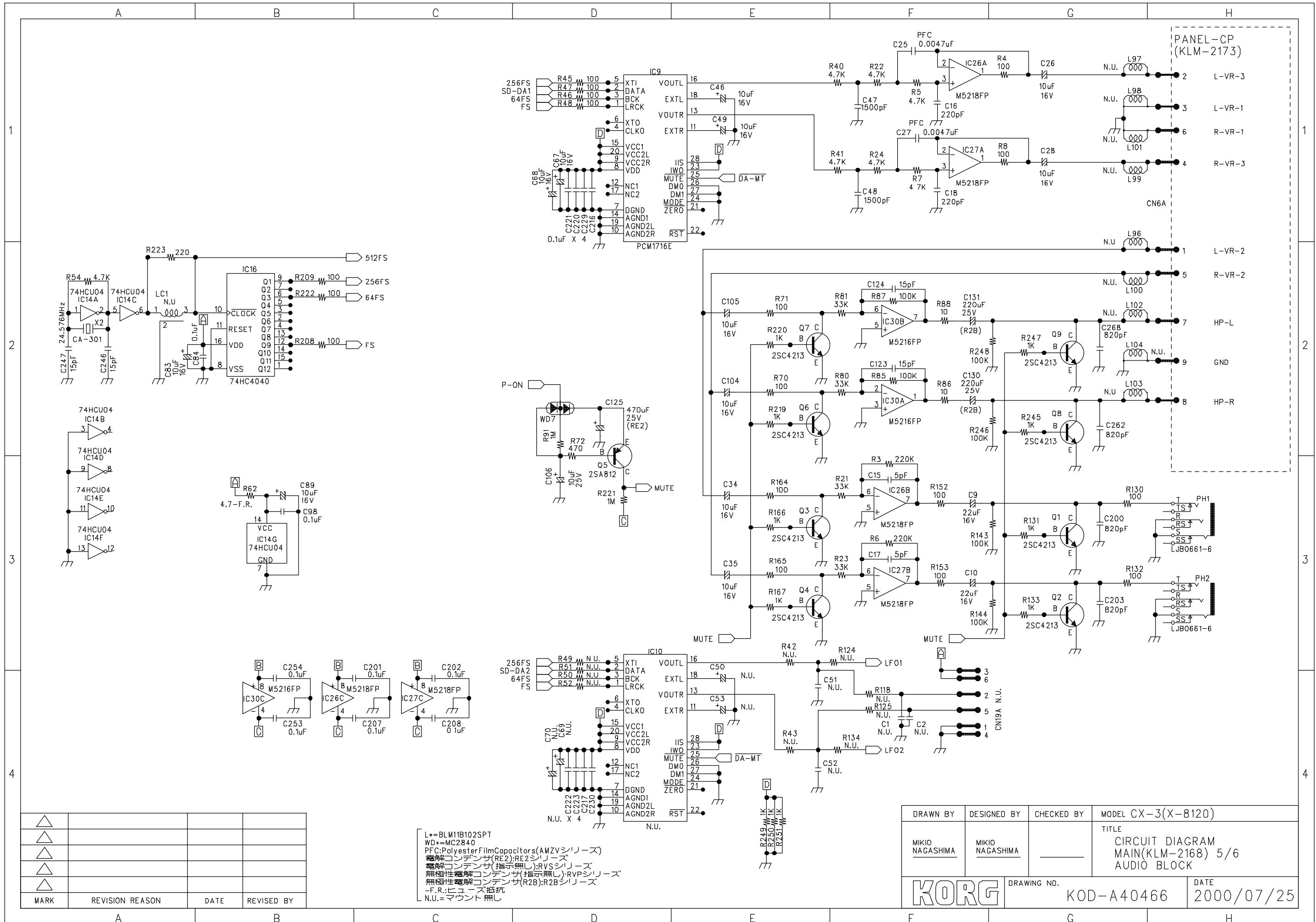
MARK	REVISION REASON	DATE	REVISED BY



L\*=BLM11B102SPT  
 WD\*=MC2840  
 PFC:Polyester Film Capacitors(AMZVシリーズ)  
 電解コンデンサ(RE2):RE2シリーズ  
 電解コンデンサ(指示無し):RVSシリーズ  
 無極性電解コンデンサ(指示無し):RVPシリーズ  
 無極性電解コンデンサ(R2B):R2Bシリーズ  
 -F.R.:ヒューズ抵抗  
 N.U.=マウント無し

DRAWN BY	DESIGNED BY	CHECKED BY	MODEL	CX-3(X-8120)
MIKID NAGASHIMA	MIKID NAGASHIMA		TITLE	CIRCUIT DIAGRAM MAIN(KLM-2168) 4/9 EFX-DSP BLOCK
KORG			DRAWING NO.	KOD-A40465
			DATE	2000/07/25

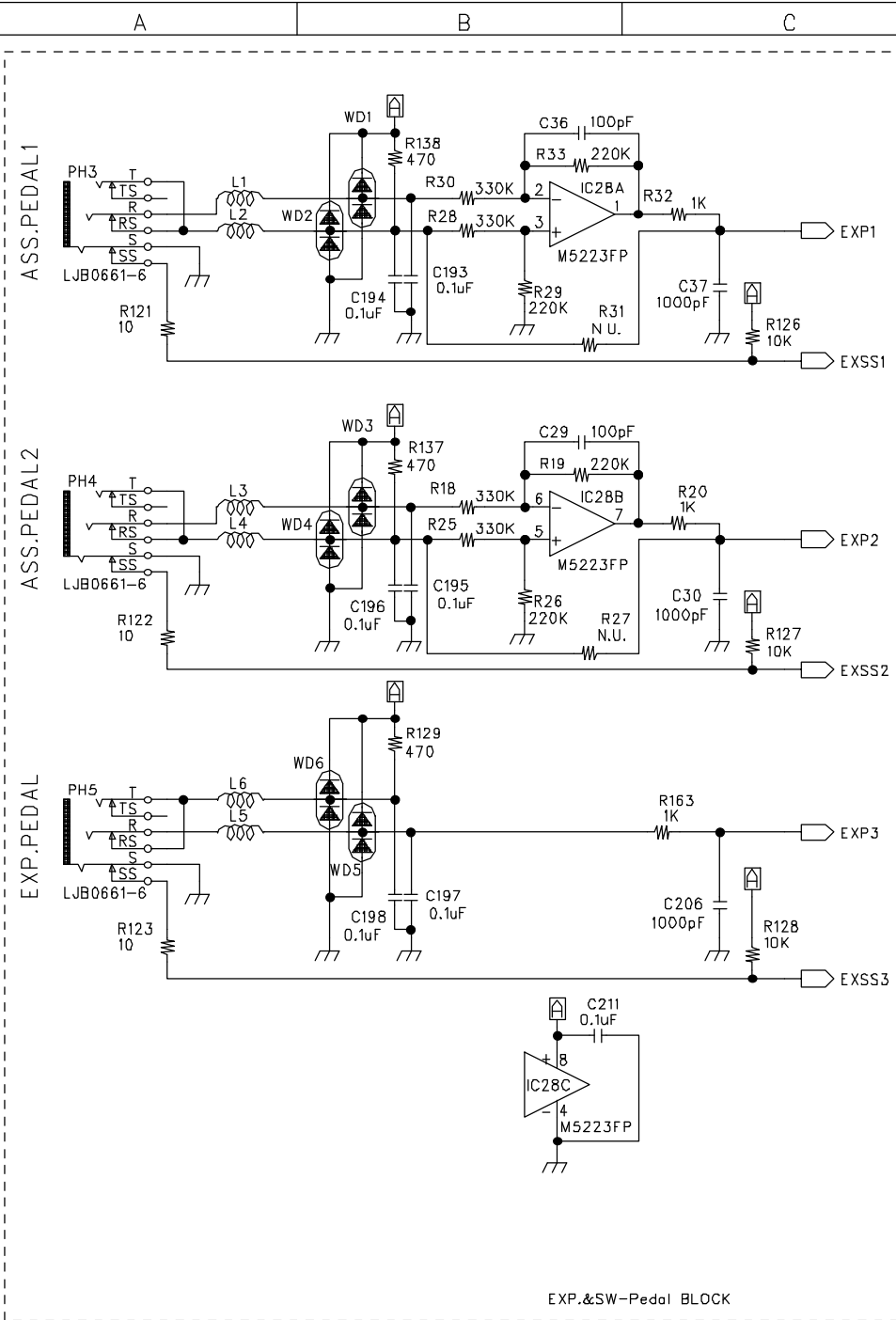
MARK	REVISION REASON	DATE	REVISED BY
△			
△			
△			
△			
△			



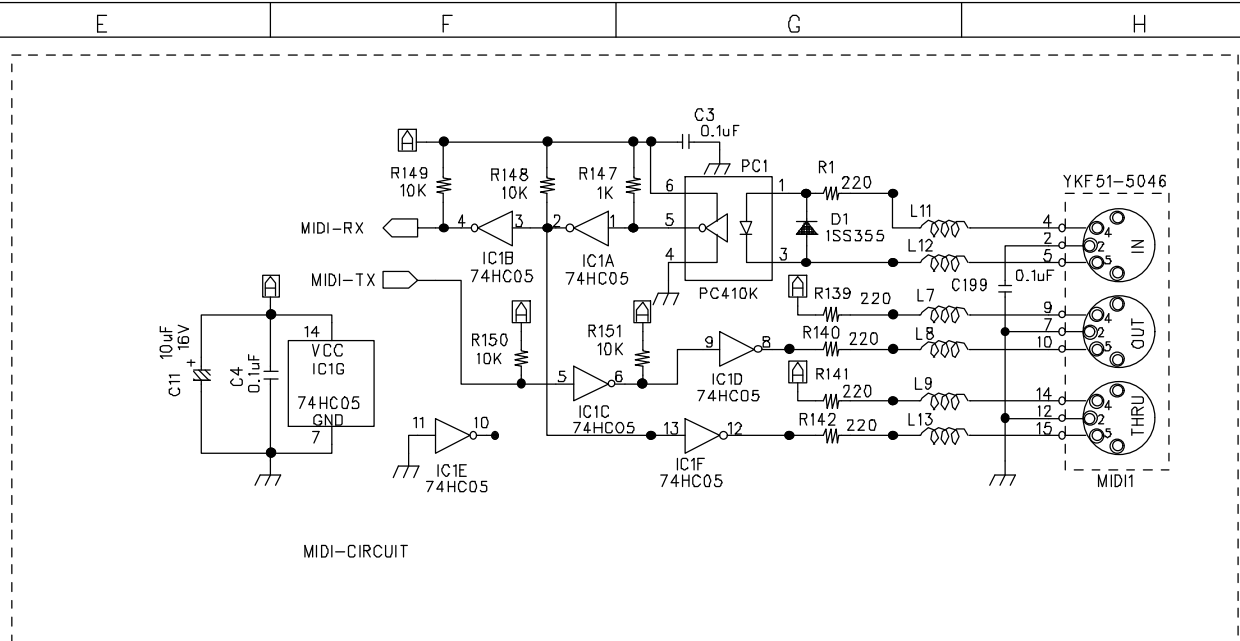
MARK	REVISION REASON	DATE	REVISED BY

L\*=BLM11B102SPT  
 WD\*=MC2B40  
 PFC:PolyesterFilmCapacitors(AMZVシリーズ)  
 電解コンデンサ(RE2):RE2シリーズ  
 電解コンデンサ(指示無し):RVSシリーズ  
 無極性電解コンデンサ(指示無し):RVPシリーズ  
 無極性電解コンデンサ(R2B):R2Bシリーズ  
 -F.R.:ヒューズ抵抗  
 N.U.=マウント無し

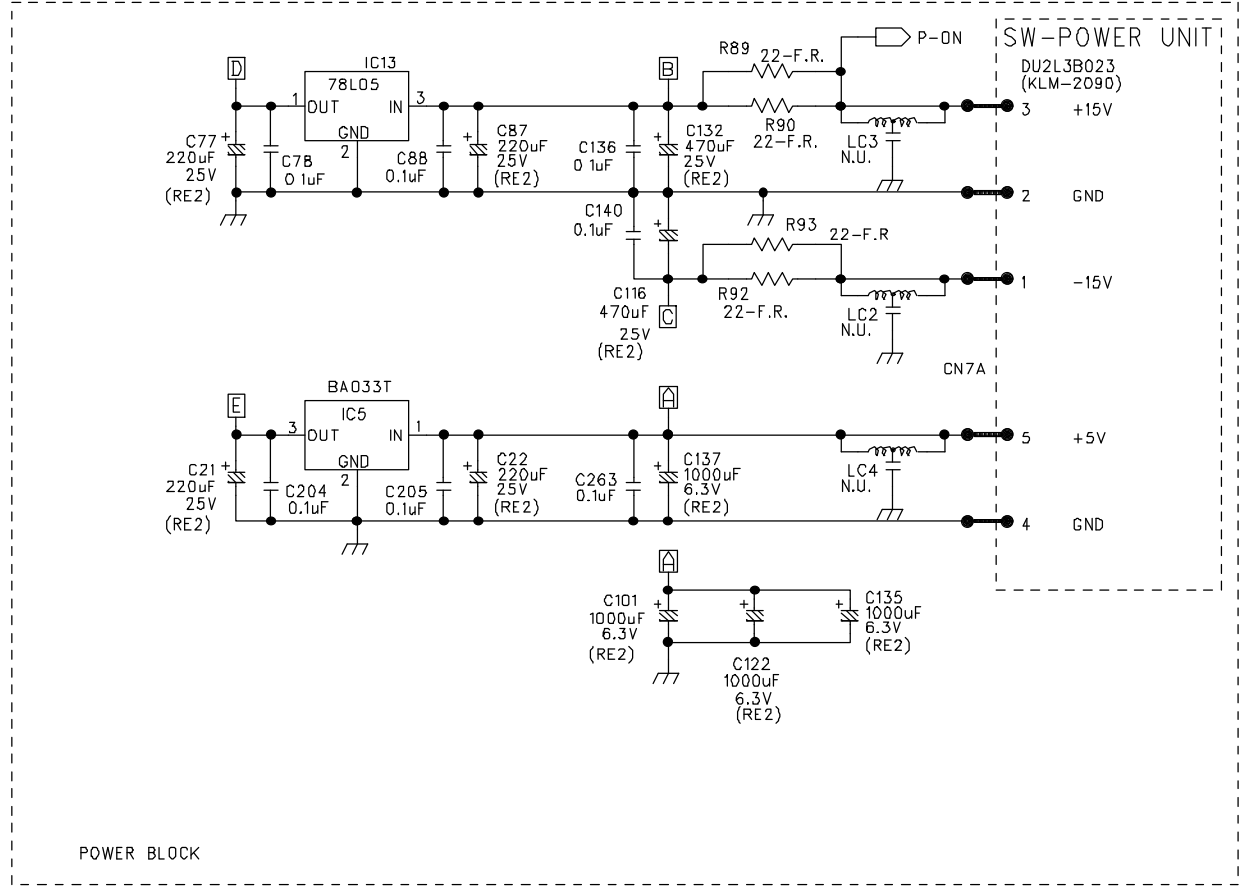
DRAWN BY MIKIO NAGASHIMA	DESIGNED BY MIKIO NAGASHIMA	CHECKED BY	MODEL CX-3(X-8120)
TITLE CIRCUIT DIAGRAM MAIN(KLM-2168) 5/6 AUDIO BLOCK			DATE 2000/07/25
DRAWING NO. KOD-A40466		DATE 2000/07/25	



EXP.&SW-Pedal BLOCK

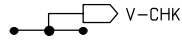


MIDI-CIRCUIT



POWER BLOCK

MARK	REVISION REASON	DATE	REVISED BY
△			
△			
△			
△			
△			

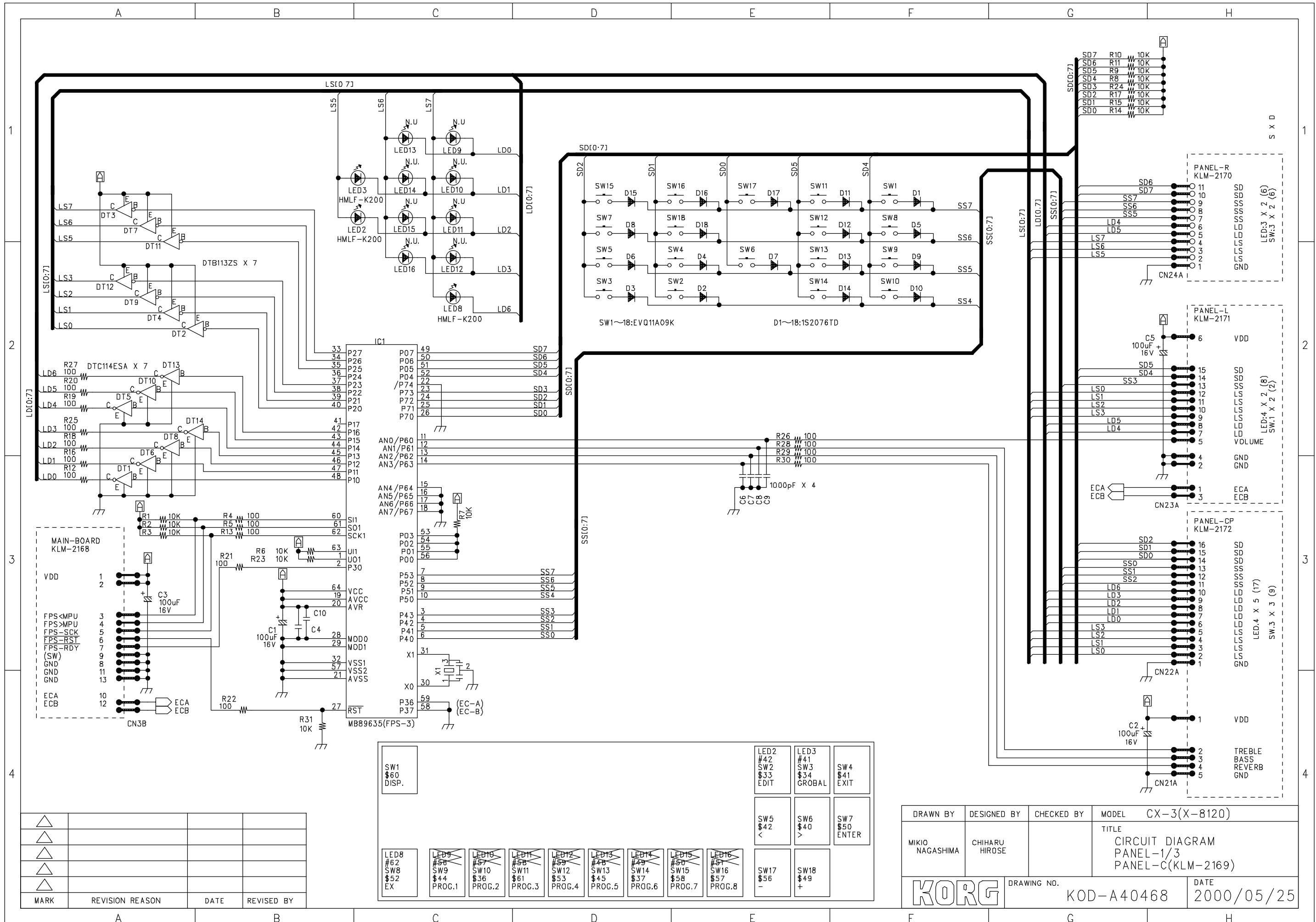


L=BLM11B102SPT  
 WD\*=MC2B40  
 PFC:PolyesterFilmCapacitors(AMZVシリーズ)  
 電解コンデンサ(RE2):RE2シリーズ  
 電解コンデンサ(指示無し):RV5シリーズ  
 無極性電解コンデンサ(指示無し):RVPシリーズ  
 無極性電解コンデンサ(R2B):R2Bシリーズ  
 -F.R.:ヒューズ抵抗  
 N.U.=マウント無し

DRAWN BY	DESIGNED BY	CHECKED BY	MODEL CX-3(X-8120)
MIKIO NAGASHIMA	MIKIO NAGASHIMA		TITLE CIRCUIT DIAGRAM MAIN(KLM-2168) 6/6 CTRL I/O & POWER BLOCK
DRAWING NO. KOD-A40467			DATE 2000/07/25



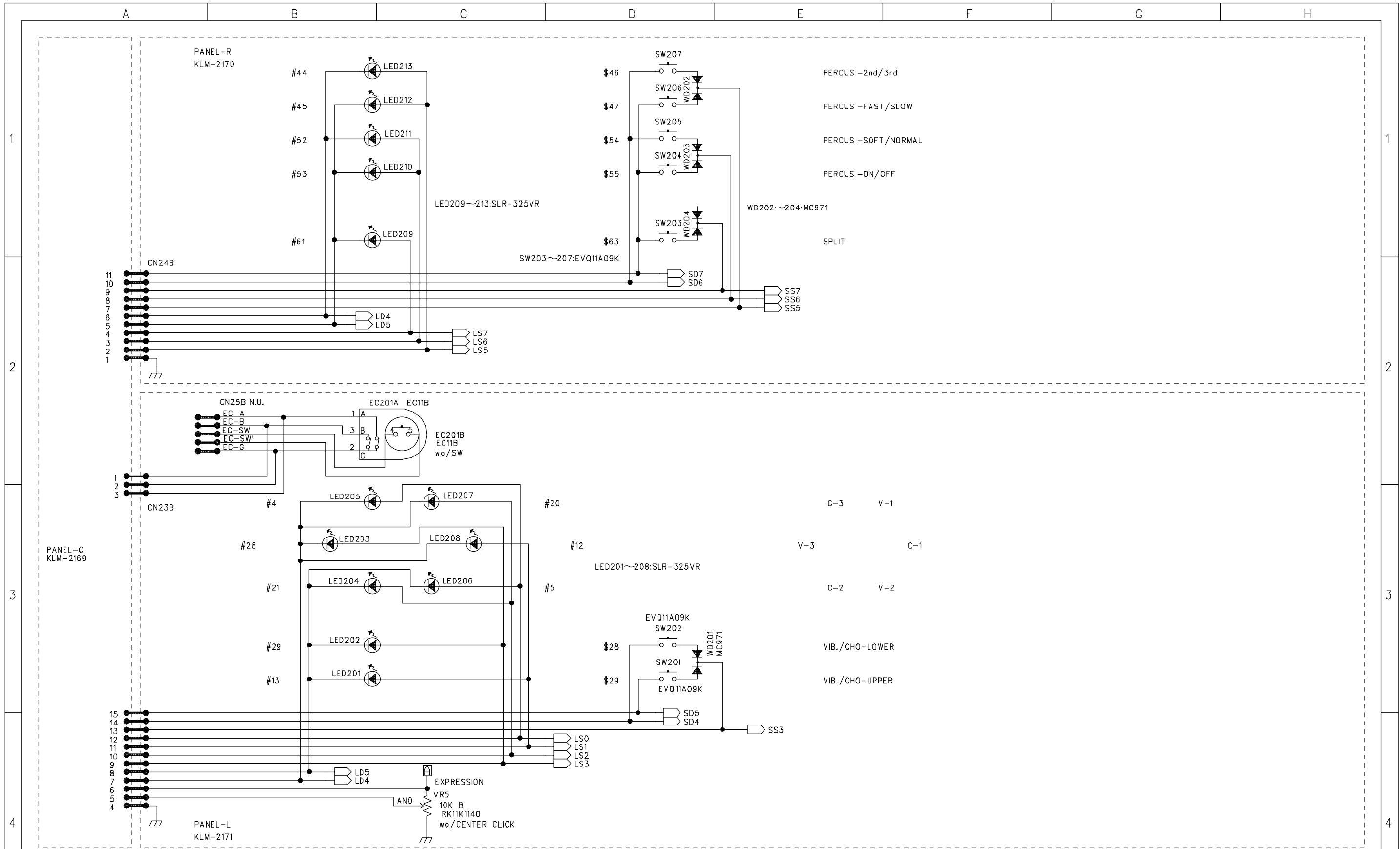




MARK	REVISION REASON	DATE	REVISED BY

SW1 \$60 DISP.	LED2 #42 SW2 \$33 EDIT	LED3 #41 SW3 \$34 GROBAL	SW4 #41 EXIT
LED8 #62 SW8 \$52 EX	LED9 #58 SW9 \$36 PROG.1	LED10 #57 SW10 \$36 PROG.2	LED11 #58 SW11 \$61 PROG.3
LED12 #59 SW12 \$53 PROG.4	LED13 #48 SW13 \$45 PROG.5	LED14 #49 SW14 \$37 PROG.6	LED15 #50 SW15 \$58 PROG.7
LED16 #51 SW16 \$57 PROG.8	SW17 \$56 -	SW18 \$49 +	SW5 \$42 <
			SW6 \$40 >
			SW7 \$50 ENTER

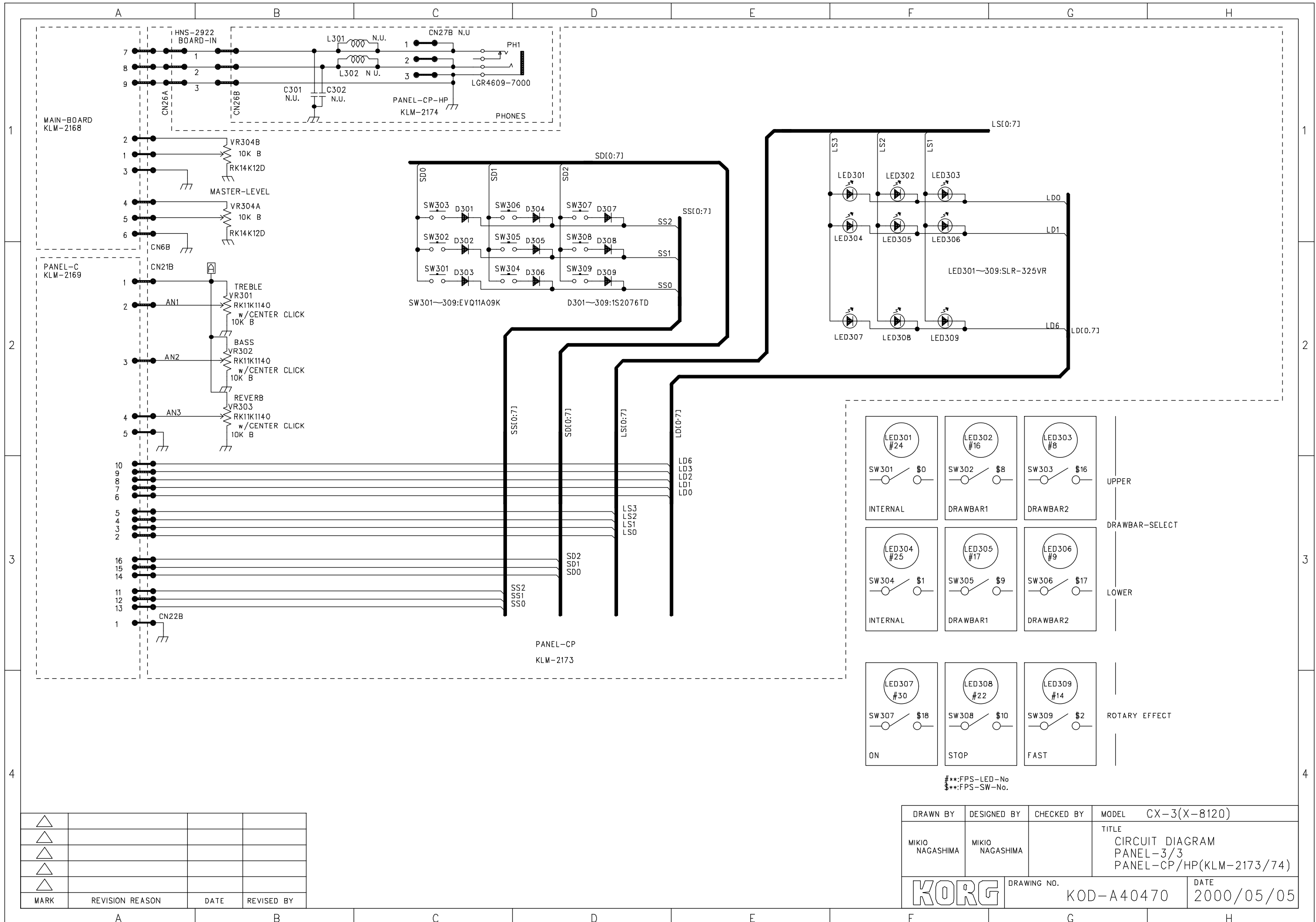
DRAWN BY	DESIGNED BY	CHECKED BY	MODEL	CX-3(X-8120)
MIKIO NAGASHIMA	CHIHARU HIROSE		TITLE	CIRCUIT DIAGRAM PANEL-1/3 PANEL-C(KLM-2169)
KORG			DRAWING NO.	KOD-A40468
			DATE	2000/05/25



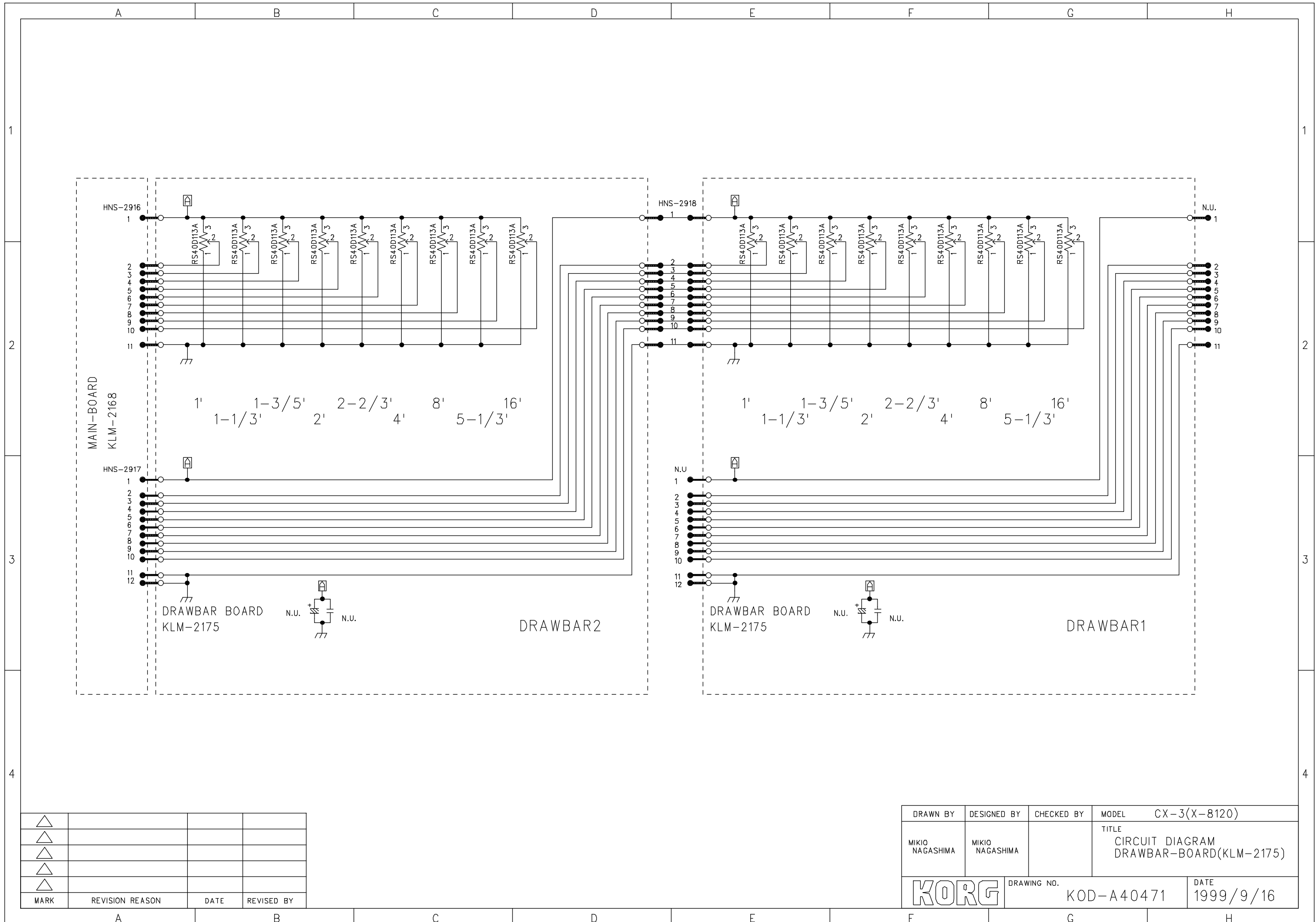
###:PFS-LED-No.  
 \$\*:FPS-SW-No.

△			
△			
△			
△			
△			
MARK	REVISION REASON	DATE	REVISED BY

DRAWN BY	DESIGNED BY	CHECKED BY	MODEL CX-3(X-8120)
MIKIO NAGASHIMA	MIKIO NAGASHIMA		TITLE CIRCUIT DIAGRAM PANEL-2/3 PANEL-L/R(KLM-2170/71)
KORG		DRAWING NO. KOD-A40469	DATE 2000/05/25

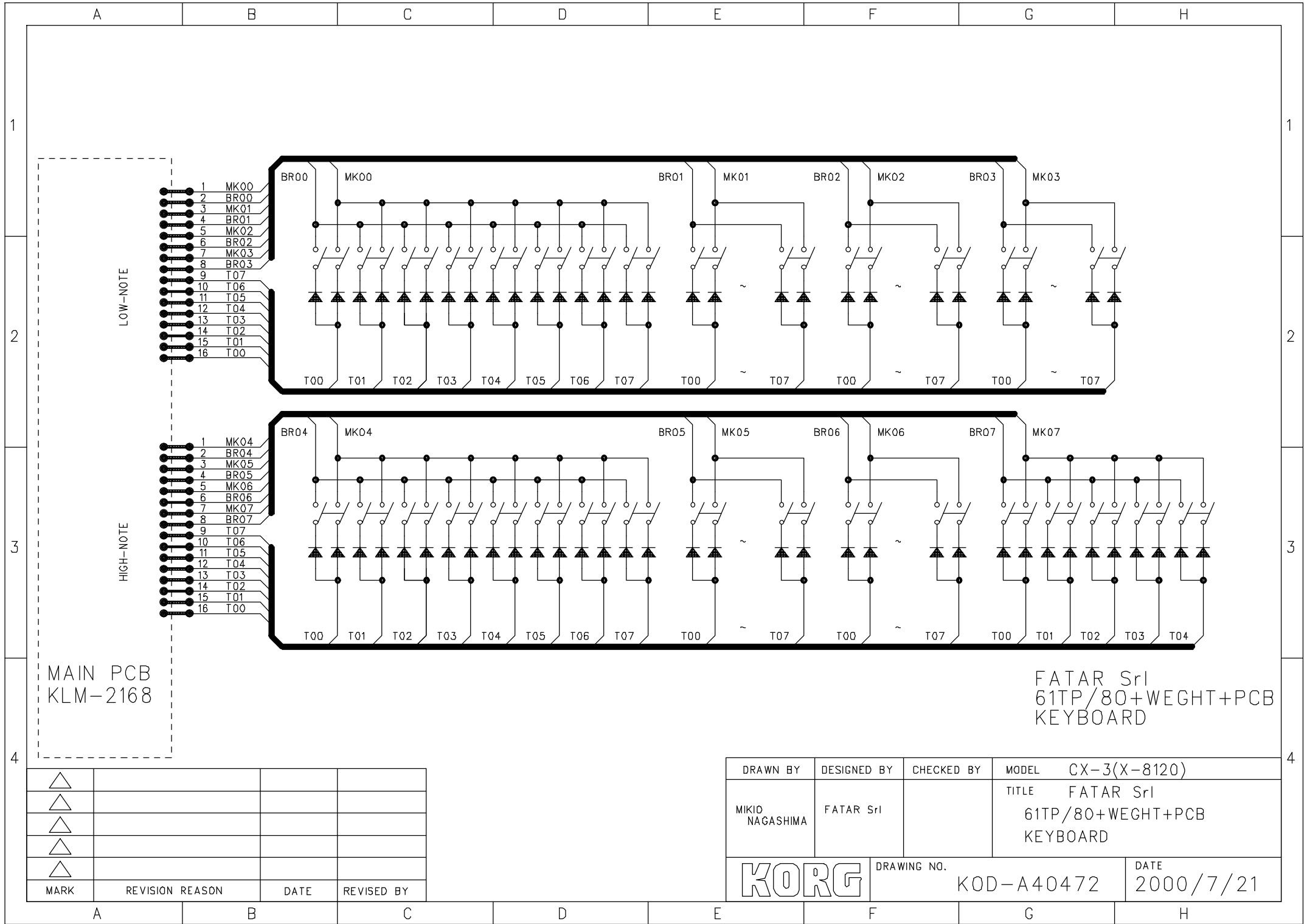


DRAWN BY	DESIGNED BY	CHECKED BY	MODEL	CX-3(X-8120)
MIKIO NAGASHIMA	MIKIO NAGASHIMA		TITLE	CIRCUIT DIAGRAM PANEL-3/3 PANEL-CP/HP(KLM-2173/74)
KORG			DRAWING NO.	KOD-A40470
			DATE	2000/05/05



MARK	REVISION REASON	DATE	REVISED BY
△			
△			
△			
△			

DRAWN BY MIKIO NAGASHIMA	DESIGNED BY MIKIO NAGASHIMA	CHECKED BY	MODEL CX-3(X-8120)
TITLE CIRCUIT DIAGRAM DRAWBAR-BOARD(KLM-2175)			DATE 1999/9/16
DRAWING NO. KOD-A40471		DATE 1999/9/16	

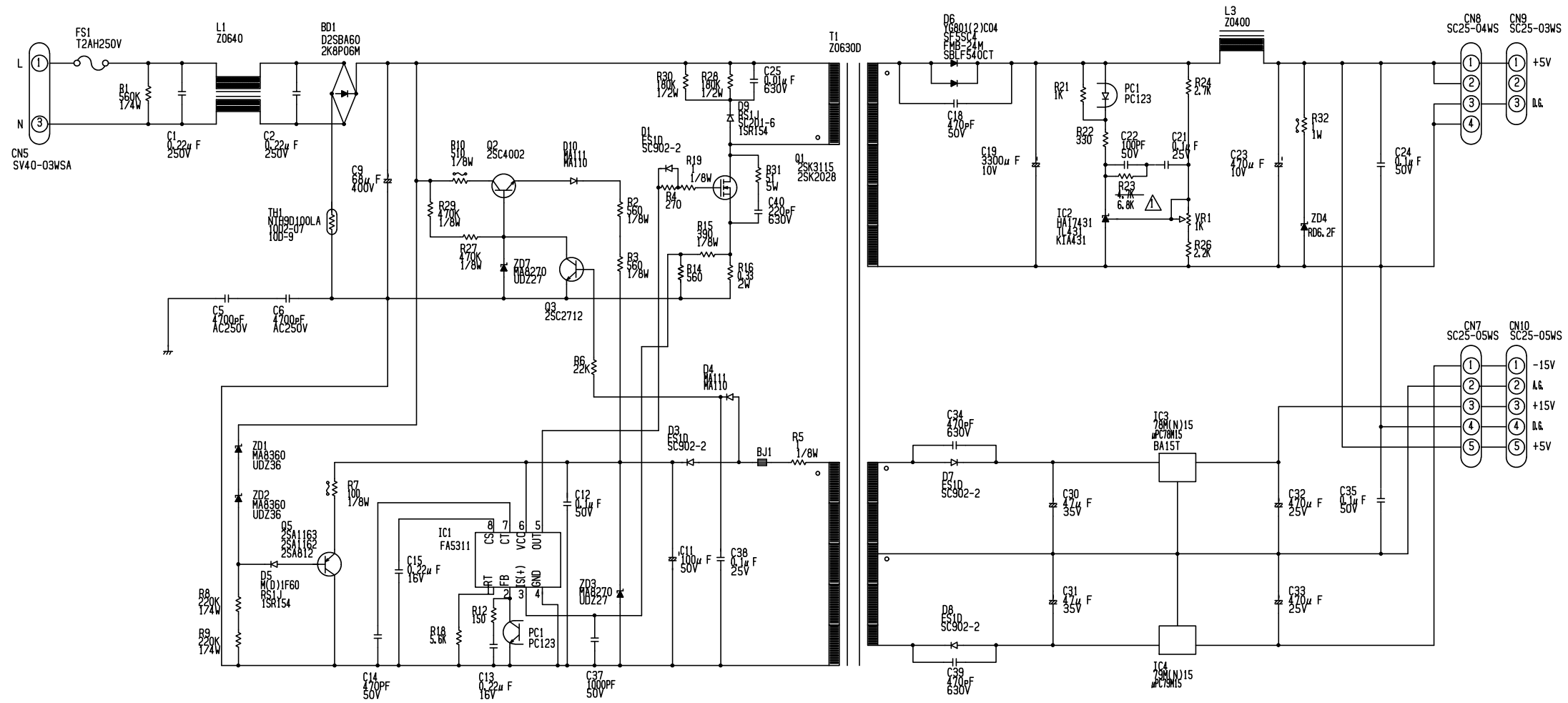


MAIN PCB  
KLM-2168

FATAR Srl  
61TP/80+WEGHT+PCB  
KEYBOARD

△			
△			
△			
△			
△			
MARK	REVISION REASON	DATE	REVISED BY

DRAWN BY	DESIGNED BY	CHECKED BY	MODEL	CX-3(X-8120)
MIKIO NAGASHIMA	FATAR Srl		TITLE	FATAR Srl 61TP/80+WEGHT+PCB KEYBOARD
			DRAWING NO.	KOD-A40472
			DATE	2000/7/21



## **How to start/operate the test mode**

**[Program 4] + [Program 6] + Power ON** : Completion test  
( Internal test + External test )

[Percussion 3rd]: ITEM UP  
[Percussion Soft]: ITEM DOWN  
[Percussion 3rd]: STEP UP  
[Percussion Fast]: STEP DOWN

### **NOTE :**

1. When the internal test is executed, the factory preset (Preset and Global) data is damaged. To return the factory preset data, please execute:

**[Program 2] + [Program 7] + Power ON**

2. It is sometimes seen that the step to the tests of DSP3, DSP4 or keyboard become slow.

PART CODE	PART NAME	NOTE	Q'TY
001216800	PCB ASSY KLM-2168 CX-3	CX-3 M.PART	1
001216900	PCB ASSY KLM-2169 CX-3	CX-3 M.PART	1
001217000	PCB ASSY KLM-2170/71 CX-3	CX-3 M.PART	1
001217300	PCB ASSY KLM-2173/74 CX-3	CX-3 M.PART	1
002202091	PCB ASSY KLM-2090 : CEM3	CX-3 M.PART	1
002217500	DRAWBAR ASSY (X-8120)	CX-3 M.PART	1
304000070	TR 2SA812-T1B (M5-7) (TS)	KLM-2168 CX-3	1
304020340	TR 2SC4213-A TE85L (TS)	KLM-2168 CX-3	8
304050220	DIGITAL TR DTC114ESA TP(TR)	KLM-2169 CX-3	7
304050270	DIGITAL TR DTB113ZSTP(TR)	KLM-2169 CX-3	7
313005300	VFD MODULE M202MD07CA	CX-3 M.PART	1
314001800	DIODE 1SS355 TE-17 (TS)	KLM-2168 CX-3	1
314010300	DIODE 1S2076TD (TA)	KLM-2169 CX-3	18
314010300	DIODE 1S2076TD (TA)	KLM-2173/74 CX	9
314010310	LED HLMF-K200#2UM (TR)	KLM-2173/74 CX	3
314010310	LED HLMF-K200#2UM (TR)	KLM-2169 CX-3	3
314031000	LED SLR-325VRT31(TR)	KLM-2173/74 CX	6
314031000	LED SLR-325VRT31(TR)	KLM-2170/71 CX	13
315000500	DOUBLE DIODE MC-2840-T12-1(TS)	KLM-2168 CX-3	7
315000900	DIODE BRIDGE MC971-T11(TR)	KLM-2170/71 CX	4
320001261	IC UPD71055GB-10-3B4 (S)	KLM-2168 CX-3	1
320004671	IC HD6412352F20(D12352F20)(S)	KLM-2168 CX-3	2
320007027	IC BA033T	KLM-2168 CX-3	1
320012222	IC MB89635RP-G-368-SH	KLM-2169 CX-3	1
320012268	IC MBM29F400BC-90PF X8120A(S)	KLM-2168 CX-3	1
320012269	IC MBM29F400BC-90PF X8120B(S)	KLM-2168 CX-3	1
320020206	IC XCB56362PV100B(S)	KLM-2168 CX-3	2
320021156	IC TMS57070FFT (S)	KLM-2168 CX-3	2
320049001	IC SST29EE010-90-4C-NH (S)	KLM-2168 CX-3	1
324001006	IC UPD74HCU04GS-E2 (TS)	KLM-2168 CX-3	1
324003059	IC TC7SH04FU(TE85L) (TS)	KLM-2168 CX-3	1
324004165	IC HD74HC4040FPEL (TS)	KLM-2168 CX-3	1
324004167	IC HD74HC4052FPEL (TS)	KLM-2168 CX-3	3
324004176	IC HD74HC05FPEL (TS)	KLM-2168 CX-3	1
324009004	IC NJM78L05UA-TE1 (TS)	KLM-2168 CX-3	1
324011002	IC M5223FP-600C (TS)	KLM-2168 CX-3	1
324011004	IC M5216FP-600C (TS)	KLM-2168 CX-3	1
324011012	IC M51953BFP-600C (TS)	KLM-2168 CX-3	1
324011017	IC M5218AFP-600C (TS)	KLM-2168 CX-3	2
324017015	IC EM614163A-50J(TS)	KLM-2168 CX-3	2
324036008	IC PCM1716E/2K(TS)	KLM-2168 CX-3	1
334000600	PHOTO COUPLER PC-410K	KLM-2168 CX-3	1
335009500	CERAMIC OSC CST10.0MTW	KLM-2169 CX-3	1
335011000	CRYSTAL OSC CA-301 20.00MHZ	KLM-2168 CX-3	1
335011200	CRYSTAL OSC CA-301 24.576MHZ	KLM-2168 CX-3	1
360024800	VR RK14K12D0D08 10KBX2	KLM-2173/74 CX	1
362009031	VR RK11K114004L 10KB	KLM-2173/74 CX	1



<b>PART CODE</b>	<b>PART NAME</b>	<b>NOTE</b>	<b>Q'TY</b>
362009032	VR RK11K1140A23 10KB	KLM-2170/71 CX	1
370005300	REC EC11B15204AH	KLM-2170/71 CX	1
374000600	TSW EVQ11A09K (TR)	KLM-2170/71 CX	7
374000600	TSW EVQ11A09K (TR)	KLM-2169 CX-3	18
374000600	TSW EVQ11A09K (TR)	KLM-2173/74 CX	9
375012500	PSW SDDFA31500	CX-3 M.PART	1
404001070	CHIP COIL BLM11B102SPT:TS	KLM-2168 CX-3	47
420006600	KEYBOARD 61TP/80+WEIGHT+PCB	CX-3 M.PART	1
450003100	PHONE JACK LGR4609-7000	KLM-2173/74 CX	1
450003900	PHONE JACK LJB0661-6	KLM-2168 CX-3	5
471070801	CONNECTOR TOP B8B-PH-K-S (U)	KLM-2168 CX-3	1
471101050	CONNECTOR TOP SC25-05WS	KLM-2168 CX-3	1
471102050	CONNECTOR TOP SJ20-05WX	KLM-2173/74 CX	1
471102050	CONNECTOR TOP SJ20-05WX	KLM-2169 CX-3	1
471102090	CONNECTOR TOP SJ20-09WX	KLM-2173/74 CX	1
471102090	CONNECTOR TOP SJ20-09WX	KLM-2168 CX-3	1
471102110	CONNECTOR TOP SJ20-11WX	KLM-2168 CX-3	1
471102110	CONNECTOR TOP SJ20-11WX	KLM-2170/71 CX	1
471102110	CONNECTOR TOP SJ20-11WX	KLM-2169 CX-3	1
471102120	CONNECTOR TOP SJ20-12WX	KLM-2168 CX-3	1
471102130	CONNECTOR TOP SJ20-13WX	KLM-2169 CX-3	1
471102130	CONNECTOR TOP SJ20-13WX	KLM-2168 CX-3	1
471102150	CONNECTOR TOP SJ20-15WX	KLM-2170/71 CX	1
471102150	CONNECTOR TOP SJ20-15WX	KLM-2169 CX-3	1
471102160	CONNECTOR TOP SJ20-16WX	KLM-2169 CX-3	1
471102160	CONNECTOR TOP SJ20-16WX	KLM-2173/74 CX	1
474019500	CONNECTOR 1-215079-6 16P (AMP)	KLM-2168 CX-3	2
475002215	HARNESS HNS-2215	CX-3 M.PART	1
475002761	HARNESS HNS-2761	CX-3 M.PART	1
475002825	HARNESS HNS-2825	CX-3 M.PART	1
475002919	HARNESS HNS-2919	CX-3 M.PART	1
475002922	HARNESS HNS-2922 BOARD IN	KLM-2173/74 CX	1
475002925	HARNESS HNS-2925	CX-3 M.PART	1
475002982	HARNESS HNS-2982	CX-3 M.PART	1
475002983	HARNESS HNS-2983	CX-3 M.PART	1
475002984	HARNESS HNS-2984	CX-3 M.PART	1
475002985	HARNESS HNS-2985	CX-3 M.PART	1
475002986	HARNESS HNS-2986	CX-3 M.PART	1
475008054	HARNESS HNS-8054	CX-3 M.PART	1
475102269	HARNESS HNS-2269(F) L=25CM	CX-3 M.PART	1
475108028	HARNESS HNS-8025(F) L=33CM	CX-3 M.PART	1
480010200	DIN SOCKET YKF51-5046	KLM-2168 CX-3	1
500019500	X-122W PANEL CUSHION 2 F40576	CX-3 M.PART	4
500023300	X-323 CUSION C KOC-F40661	CX-3 M.PART	13
525001300	FERRITE CORE NFT-25(WITH CASE)	CX-3 M.PART	1
540020200	INLET SOCKET SS-7B	CX-3 M.PART	1
580048000	X-8120 REAR SHEET KOC-F40911	CX-3 M.PART	1

<b>PART CODE</b>	<b>PART NAME</b>	<b>NOTE</b>	<b>Q'TY</b>
600005100	AC CORD KP610,GTBS3,KS31AY	CX-3 UK M.PART	1
600005300	AC CORD DC-480-J01	CX-3 JP M.PART	1
600005400	AC CORD EC-652-E03	CX-3 GE M.PART	1
600005700	AC CORD UC-953-J01	CX-3 US M.PART	1
600005700	AC CORD UC-953-J01	CX-3 CN M.PART	1
620024600	X-925 PSW KNOB KOC-E40304-2	CX-3 M.PART	1
620032000	4 LINKAGE KNOB E20180/H40130-2	CX-3 M.PART	1
620032100	4 LINKAGE KNOB E20180/H40130-1	CX-3 M.PART	1
620032300	4 LINKAGE KNOB E20180/H40131-2	CX-3 M.PART	2
620032400	4 LINKAGE KNOB E20180/H40131-1	CX-3 M.PART	3
620035200	4 LINKAGE KNOB E20180/H40130LG	CX-3 M.PART	3
620037600	X-8110 LED REFLECTOR H40147-1	CX-3 M.PART	19
620038300	X-8120 SQUARE KNOB (IVORY)	CX-3 M.PART	10
620039700	X-8120 SQUARE KNOB (GRAY)	CX-3 M.PART	3
620039800	VR KNOB DRD-130D98(S)	CX-3 M.PART	5
620039900	X-8120 KNOB L-4-BK H40148-5	CX-3 M.PART	2
620040000	X-332 ENCODER KNOB E30187-1	CX-3 M.PART	1
630031500	X-8120 VFD WINDOW KOC-E40502	CX-3 M.PART	1
630032500	X-8120 SHIELD SHEET KOC-F40932	CX-3 M.PART	1
641038500	X-181 PP SUPPORT PLATE C40907	CX-3 M.PART	1
641039700	X-115 PSW METAL FITTING C40914	CX-3 M.PART	1
641041436	GND METAL FITTING M1866-A	KLM-2173/74 CX	1
641041584	X-8120 L TYPE ANGLE C41178-1	CX-3 M.PART	3
641041596	X-8120 PANEL KOC-C10214	CX-3 M.PART	1
641041597	X-8120 CONTROL PANEL KOC-20361	CX-3 M.PART	1
641041598	X-8120 FRONT GRILL KOC-C20362	CX-3 M.PART	1
641041599	X-8120 PCB CHASSIS ASSY H30203	CX-3 M.PART	1
641041600	GND PLATE KOC-C41104	KLM-2168 CX-3	5
641041601	X-8120 ORNAMENT WASHER C41197	CX-3 M.PART	6
641041606	X-8120 KORG PLATE 3 C41155-3	CX-3 M.PART	1
645053221	X-8120 ROOF BOARD KOC-D30192	CX-3 M.PART	1
645053222	X-8120 BOTTOM BOARD ASSY	CX-3 M.PART	1
*365X812000	SLIDE VR RA40P-201-B14 (10KB)	CX-3 KLM-2175	18
*475002916	HARNESS HNS-2916 (BOARD IN)	CX-3 KLM-2175	1
*475002917	HARNESS HNS-2917 (BOARD IN)	CX-3 KLM-2175	1
*475002918	HARNESS HNS-2918 (BOARD IN)	CX-3 KLM-2175	1
*620X812000	DRAWBAR KNOB BR-1 KOC-E30252-1	CX-3 M.PART	2
*620X812001	DRAWBAR KNOB BR-2 KOC-E30252-2	CX-3 M.PART	2
*620X812002	DRAWBAR KNOB WH-1 KOC-E30252-3	CX-3 M.PART	2
*620X812003	DRAWBAR KNOB WH-2 KOC-E30252-4	CX-3 M.PART	2
*620X812004	DRAWBAR KNOB WH-3 KOC-E30252-5	CX-3 M.PART	2
*620X812005	DRAWBAR KNOB WH-4 KOC-E30252-6	CX-3 M.PART	2
*620X812006	DRAWBAR KNOB BL-1 KOC-E30252-7	CX-3 M.PART	2
*620X812007	DRAWBAR KNOB BL-2 KOC-E30252-8	CX-3 M.PART	2
*620X812008	DRAWBAR KNOB BL-3 KOC-E30252-9	CX-3 M.PART	2