

**SERVICE MANUAL**  
**MUSIC WORKSTATION**  
**M1**

**CONTENTS**

1. SPECIFICATIONS .....	2
2. STRUCTURAL DIAGRAM .....	3
3. BLOCK DIAGRAM .....	6
4. CIRCUIT DIAGRAM .....	7
5. P. C. BOARD .....	15
6. REFERENCE DATA .....	19
7. PARTS LIST .....	26

**KORG**

# 1. SPECIFICATIONS

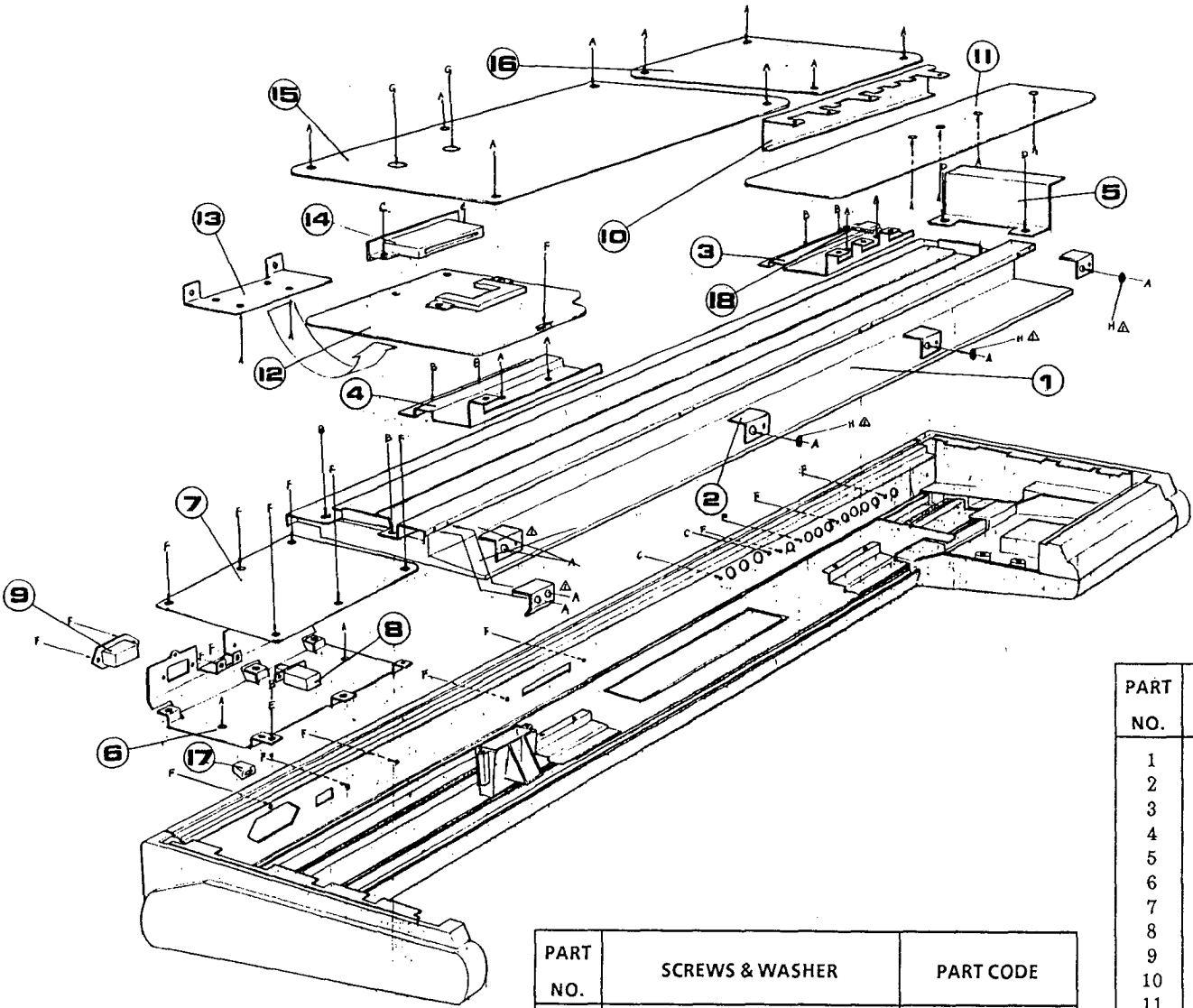
Sound generation method	:	AI Synthesis system (full digital sound processing)
Sound source	:	16 voice, 16 oscillator (Single mode)
	:	8 voice, 16 oscillator (Double mode)
Keyboard	:	61 key (with initial and after touch)
Waveform memory	:	PCM; 2 Mword (4 Mbyte)
Quantization	:	16 bit
Effect section	:	2-system digital multi-effects
Program memory capacity	:	100 Programs* <sup>1</sup>
Combination memory capacity	:	100 Combinations* <sup>1</sup>
Sequencer section	:	10 songs, 100 patterns, max. 7700 notes* <sup>2</sup>
		8 tracks, 8-timbre multi-timbral operation (Dynamic Voice Allocation)
Controller inputs	:	Damper pedal, assignable footswitches (pedals) 1/2
Outputs	:	1/L, 2/R, 3, 4, stereo headphones
MIDI terminals	:	IN, OUT, THRU
Display	:	Backlit LCD (40 characters x 2 lines)
Optional accessories	:	RAM card (MCR-03), ROM card, PCM card
Power requirements	:	11 W
Dimensions	:	1058 (W) x 356 (D) x 110 (H)
Weight	:	13.5 kg

\*<sup>1</sup> Memory allocation can be changed to 50 Programs and 50 Combinations.

\*<sup>2</sup> A capacity of 4400 notes when 100 Program/100 Combination memory allocation is selected.

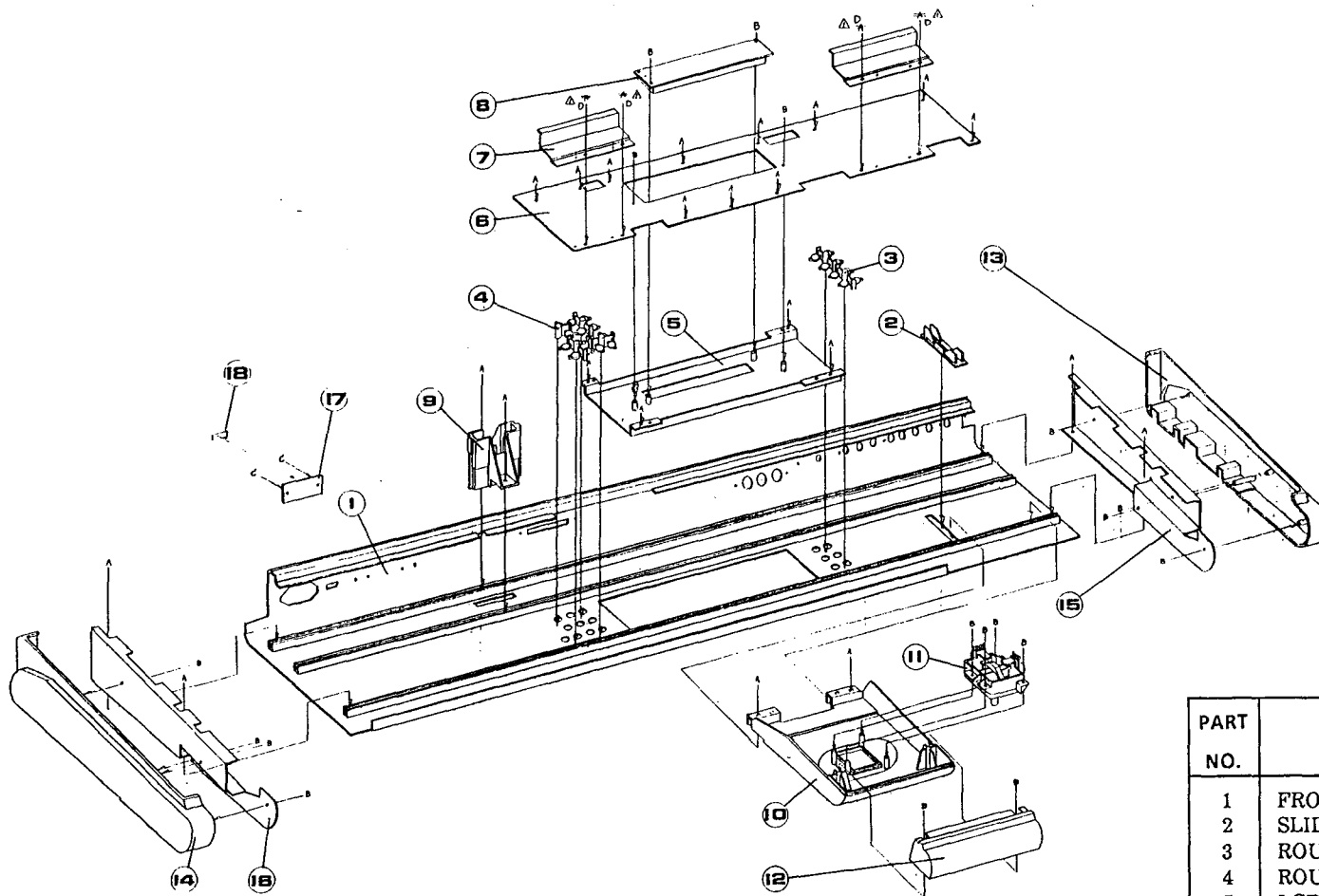
- Specifications are subject to changes and improvements without notice.

# 2. STRUCTURAL DIAGRAM



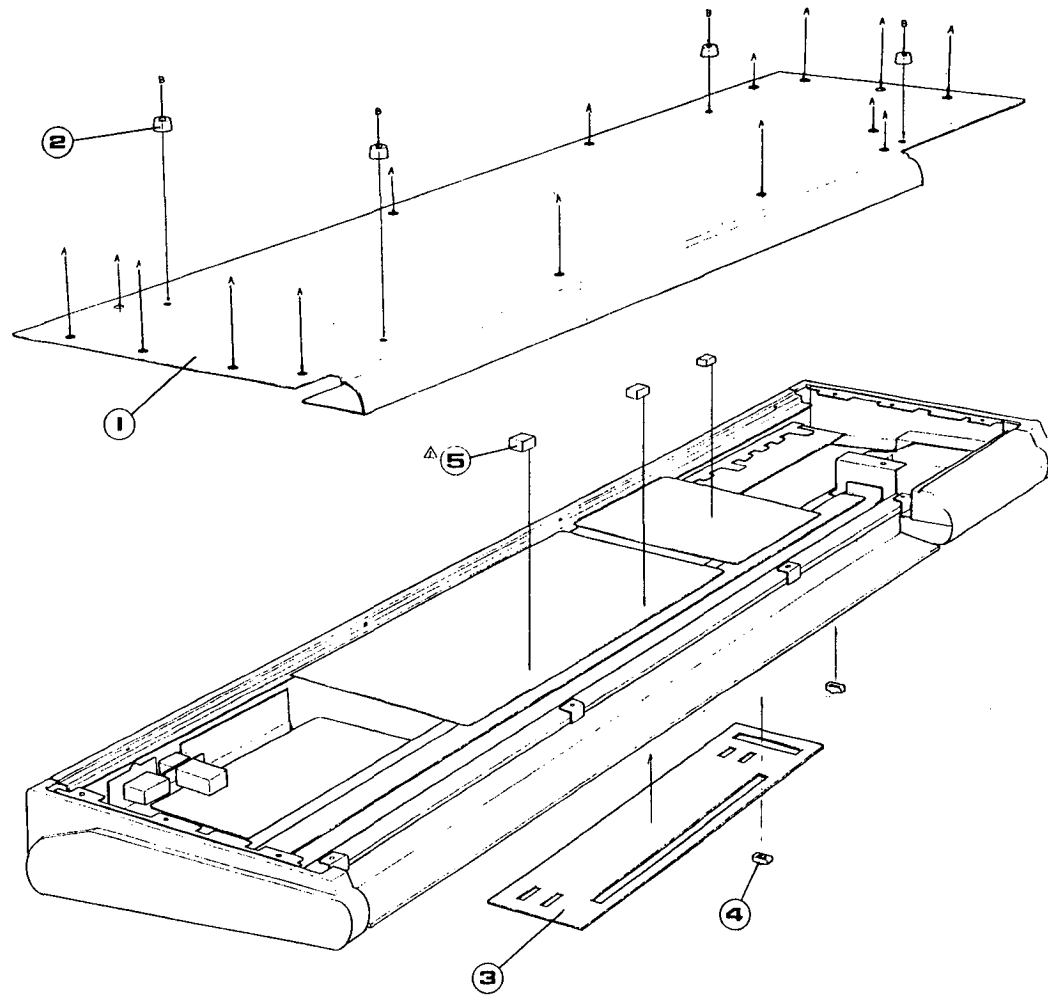
PART NO.	SCREWS & WASHER	PART CODE
A	SCREW CT B ZMC 3X8	715230308
B	SCREW CT B ZMC 4X10	715230410
C	SCREW PLAX B BZMC 3X8	745060308
D	SCREW PLAX B ZMC 4X10	745030410
E	WASHER TWU ZMC 4	784030400
F	SCREW CT B BZMC 3X8	715260308
G	SCREW TP2G B ZMC 3X25	725030325

PART NO.	PART NAME	PART CODE
1	KEYBOARD FS-61	420004000
2	KB ANGLE	640092400
3	MAIN ANGLE A	640091800
4	MAIN ANGLE B	640091801
5	SIDE KB ANGLE	640092100
6	PU CHASSIS	640091700
7	POW. SUPPLY P. C. BOARD	
8	POWER SW	375006100
9	INLET SOCKET	
10	JACK PLATE	640091900
11	P. C. BOARD KLM-1263	
12	P. C. BOARD KLM-1264	
13	CARD ANGLE	640092000
14	PCM CARD SLOT	646028300
15	P. C. BOARD KLM-1266	
16	P. C. BOARD KLM-1261	
17	POWER SW KNOB	620018200
18	SPIRAL CLIP CS-8	540008600



PART NO.	SCREWS & WASHER	PART CODE
A	SCREW CT B ZMC 3X8	715230308
B	SCREW PLAX B BZMC 3X8	745060308
C	SCREW CT B BZMC 3X8	715260308

PART NO.	PART NAME	PART CODE
1	FRONT PANEL M1	640092600
2	SLIDE VR FRAME	646028200
3	ROUND KNOB NO 1 GS	620018901
4	ROUND KNOB NO 2 GS	620019001
5	LCD HOOD	646028500
6	P. C. BOARD KLM-1262	
7	PANEL ANGLE	640092200
8	LCD MODULE	313001300
9	PROG/SEQ CARD SLOT	646028100
10	JOYSTICK PANEL	646028600
11	JOYSTICK ASS'Y	
12	JOYSTICK UNDER COVER	646028700
13	SIDE PANEL (L) M1	646028400
14	SIDE PANEL (R) M1	646028401
15	SIDE CHASSIS (L) M1	640091600
16	SIDE CHASSIS (R) M1	640091601
17	NAME PLATE	
18	SERIAL NO.	

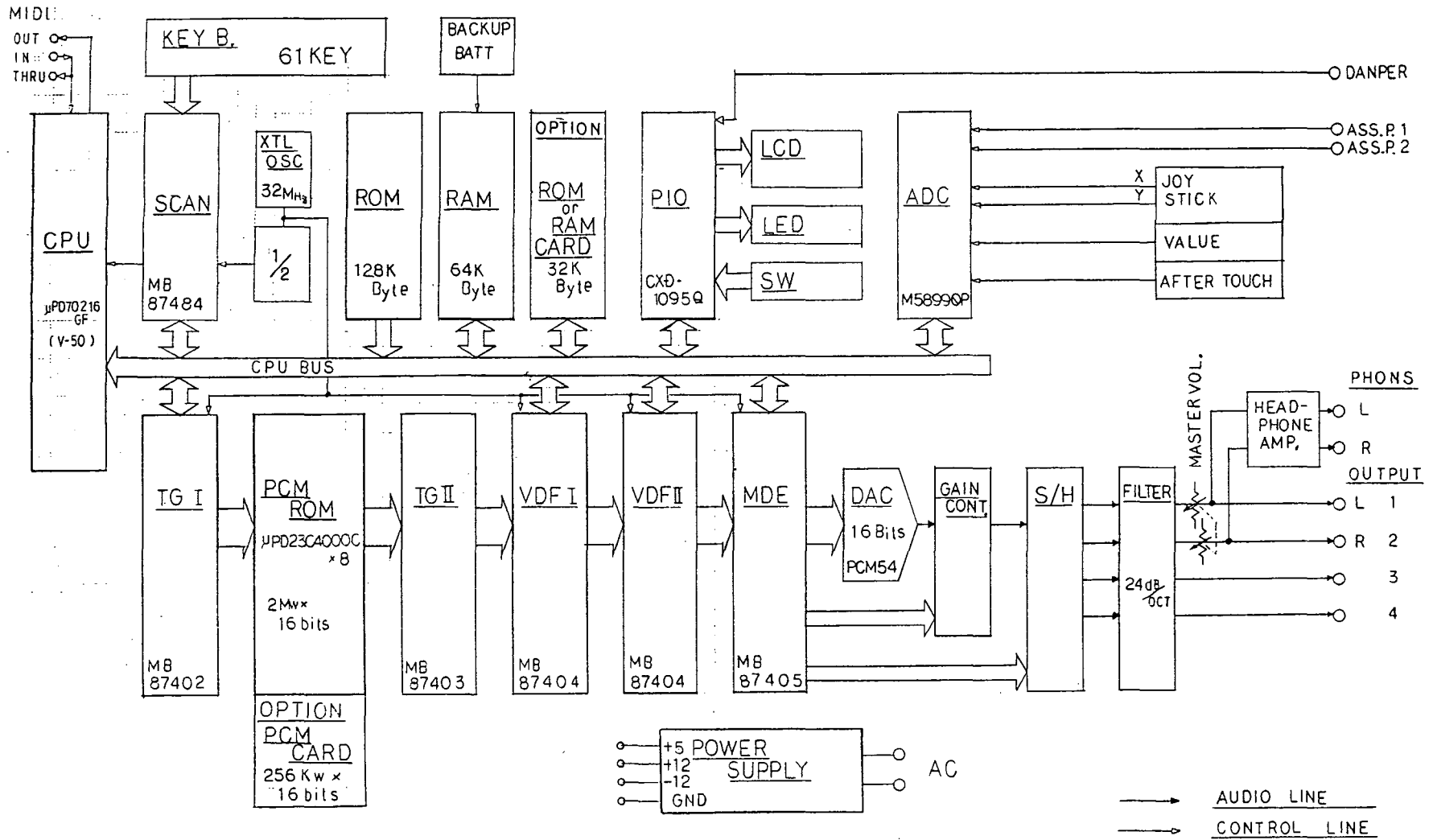


PART NO.	SCREWS & WASHER	PART CODE
A	SCREW CT B BZMC 4X10	715260410
B	SCREW T2G B BZMC 3X14	725060314

PART NO.	PART NAME	PART CODE
1	LOWER CASE M1	640091500
2	RUBBER FEET	500009500
3	LCD WINDOW	630006500
4	SLIDE VR KNOB	620019700

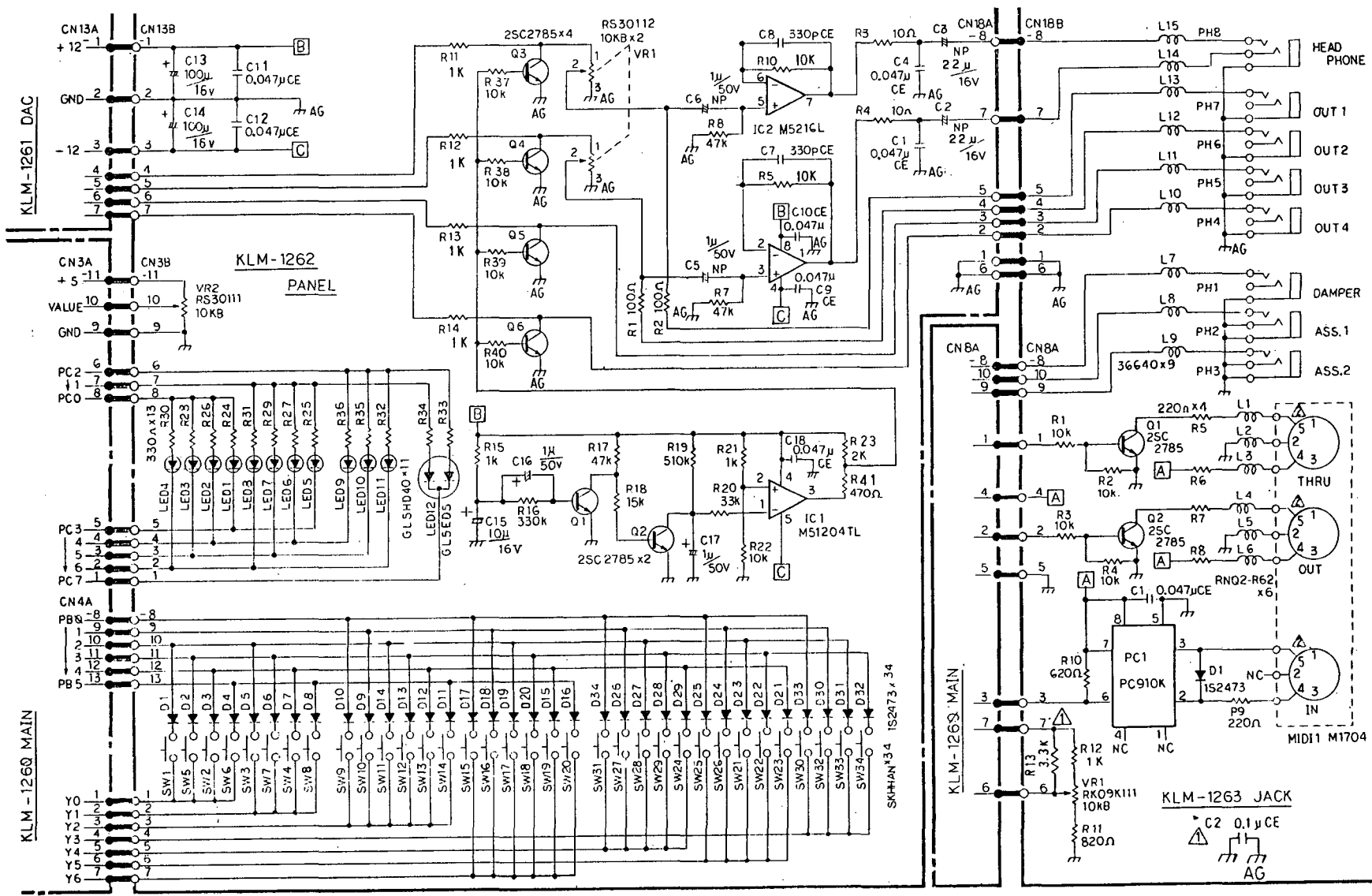
# 3. BLOCK DIAGRAM

6



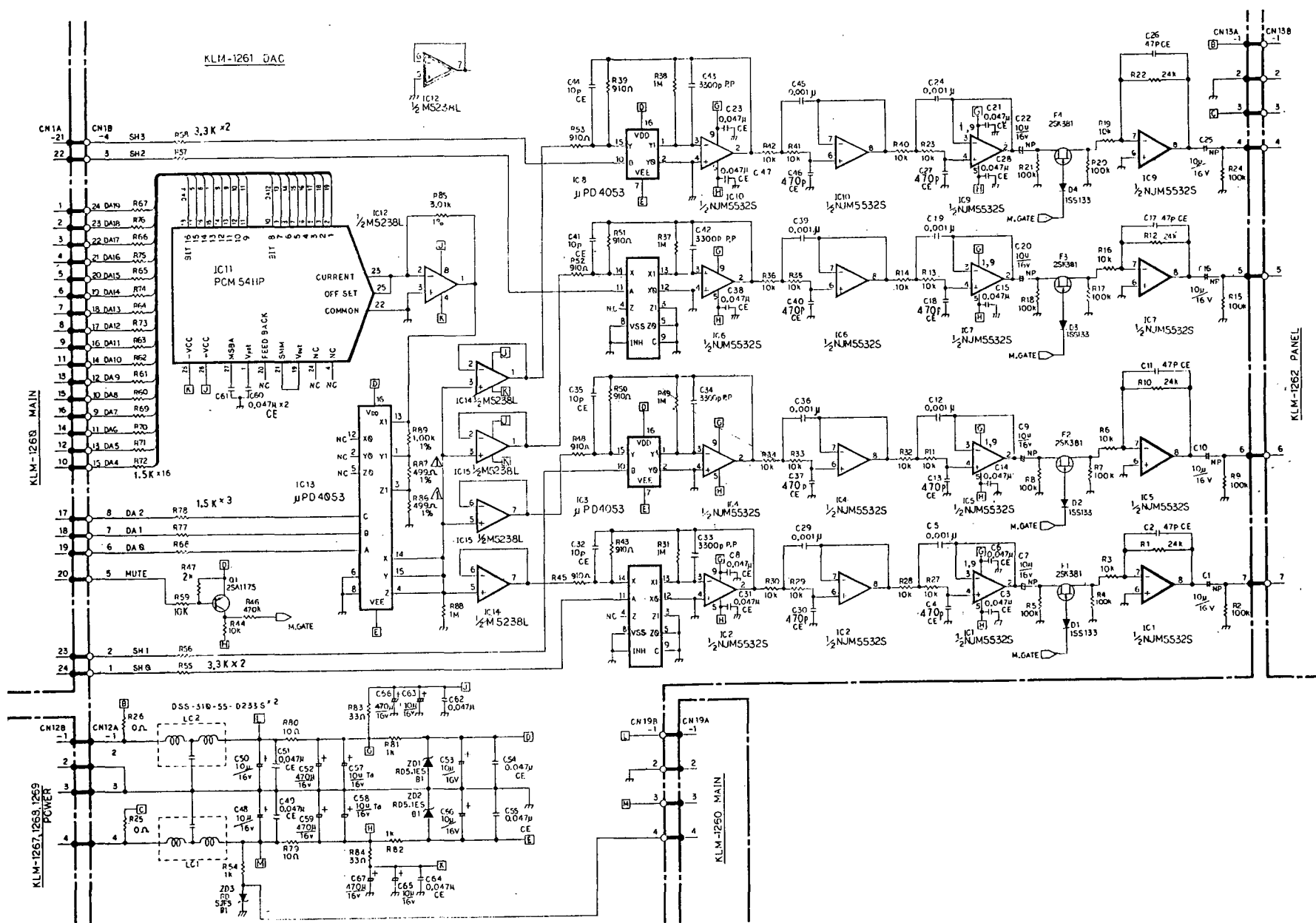


# KLM-1262,1263

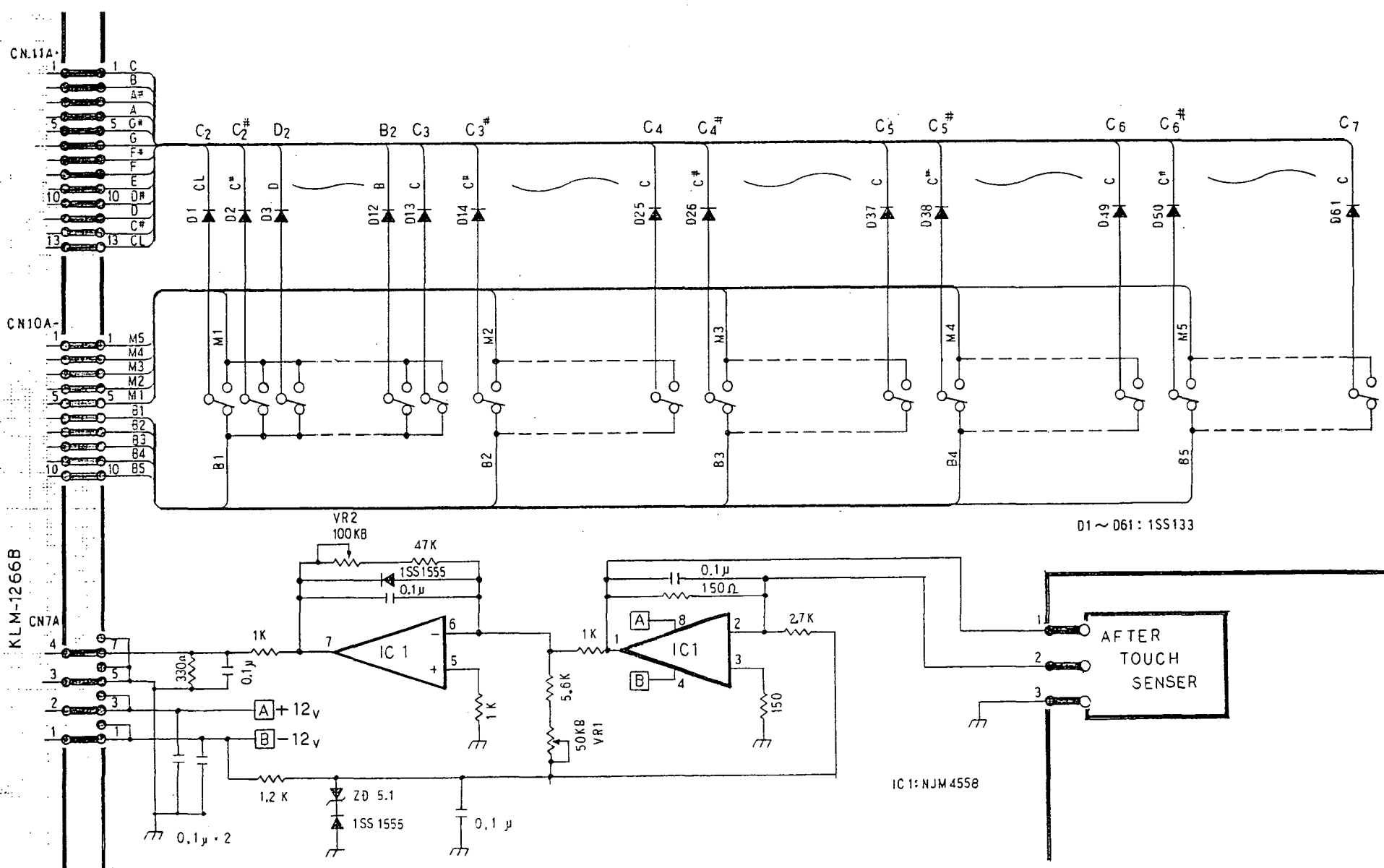


10

# KLM-1261



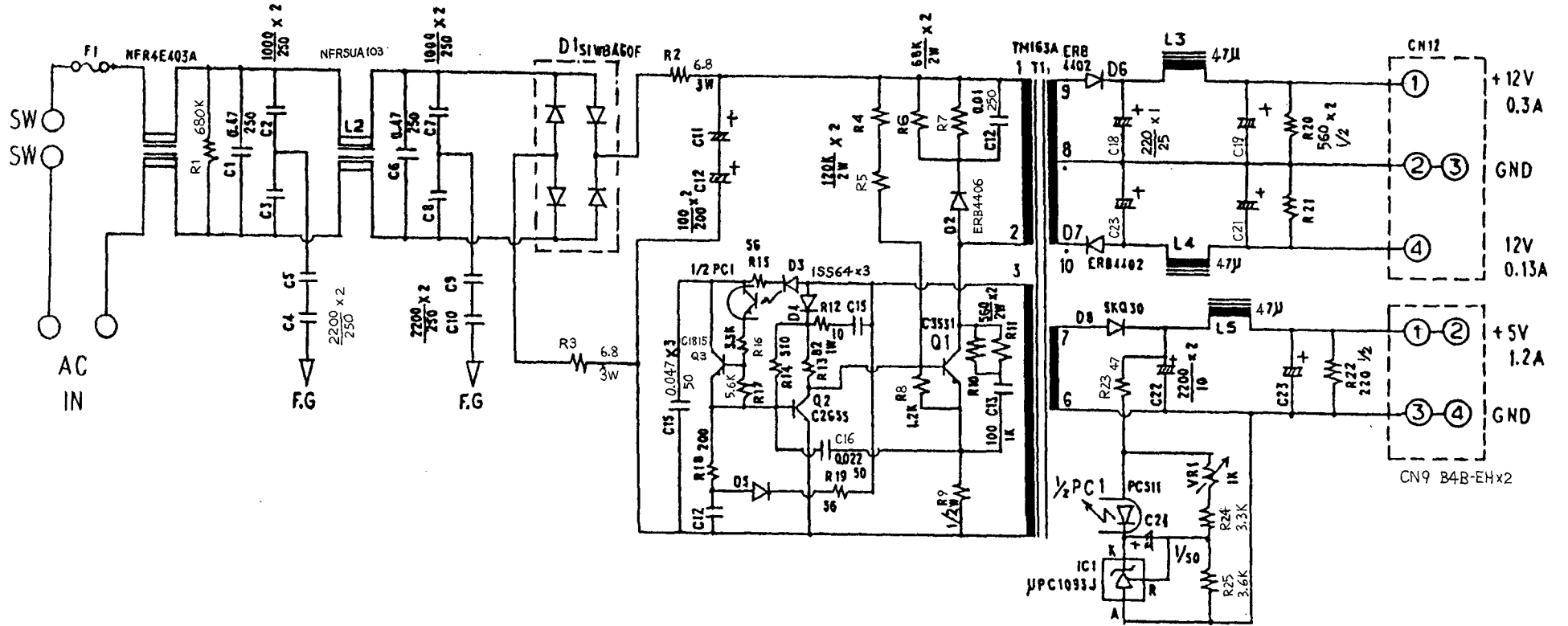
11



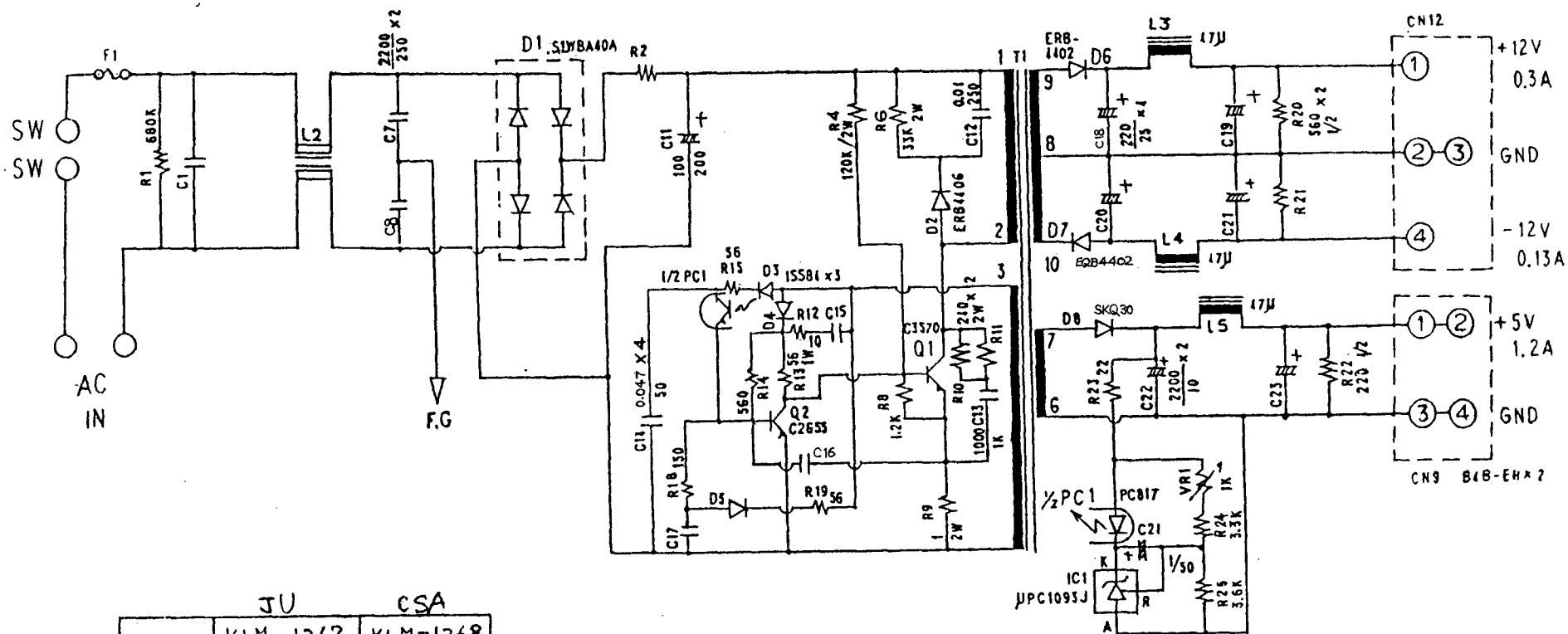
12



# KLM-1269



# KLM1267,1268 (FOR JU. CSA)

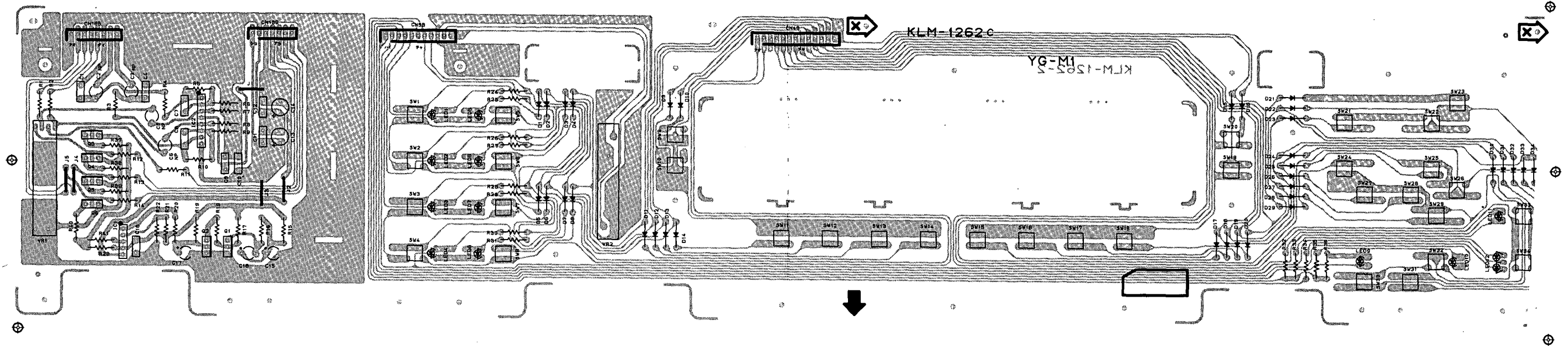


	JU	CSA
	KLM-1267	KLM-1268
R2	HRSM3FB 6.8Ω	6.8Ω 2A 250V
C1	0.22μF 250V	0.1μF 250V
T1	TYA024	TYA023
L2	NFR5UA203	NFR6UA103

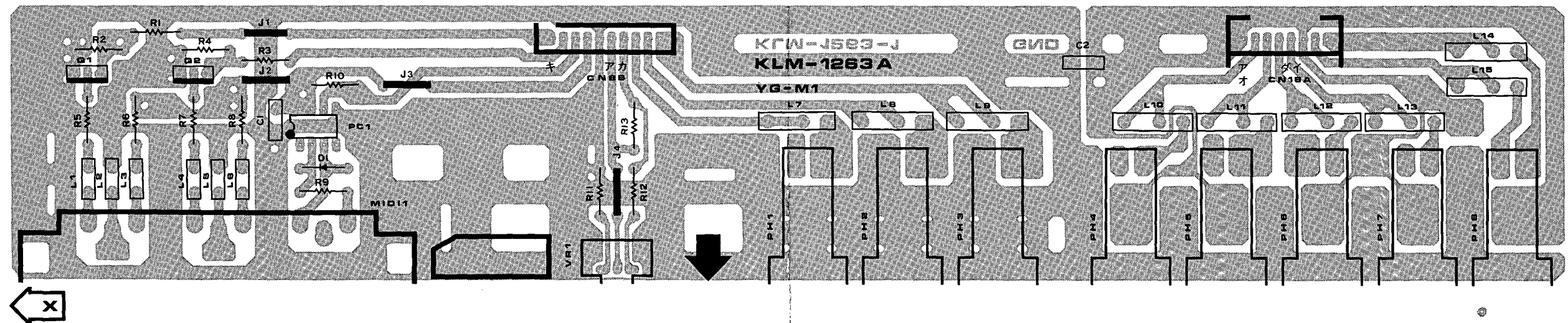


# 5. P. C. BOARD

## KLM-1262



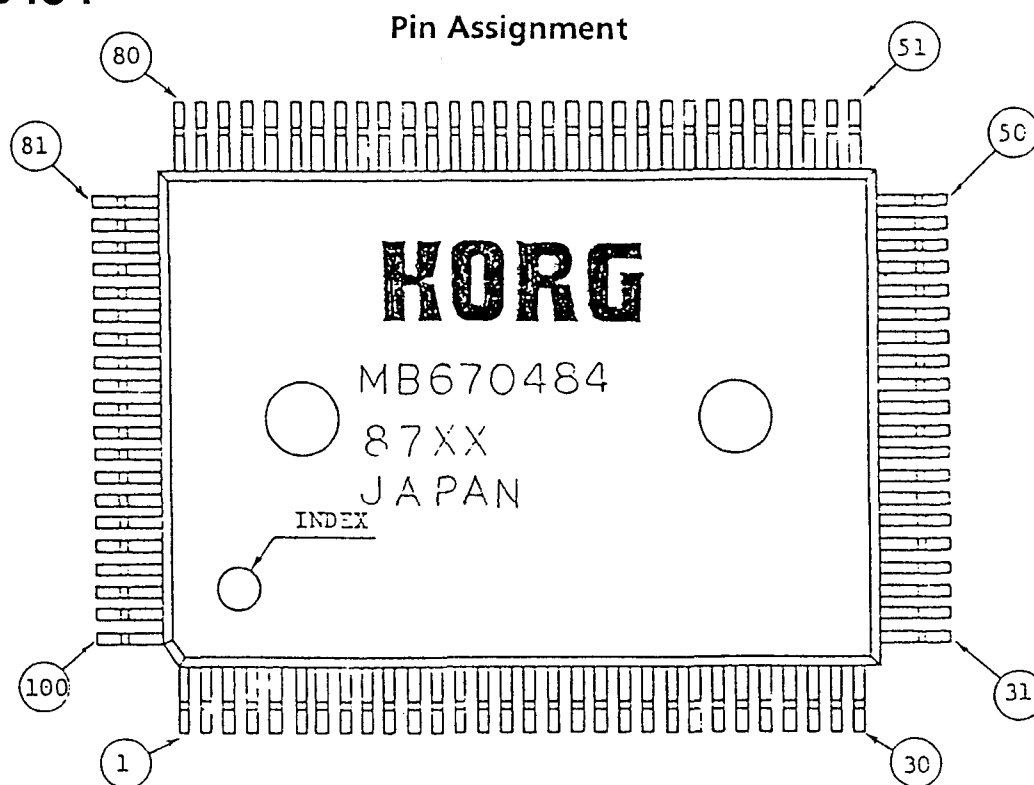
## KLM-1263





# 6. REFERENCE DATA

## MB670484

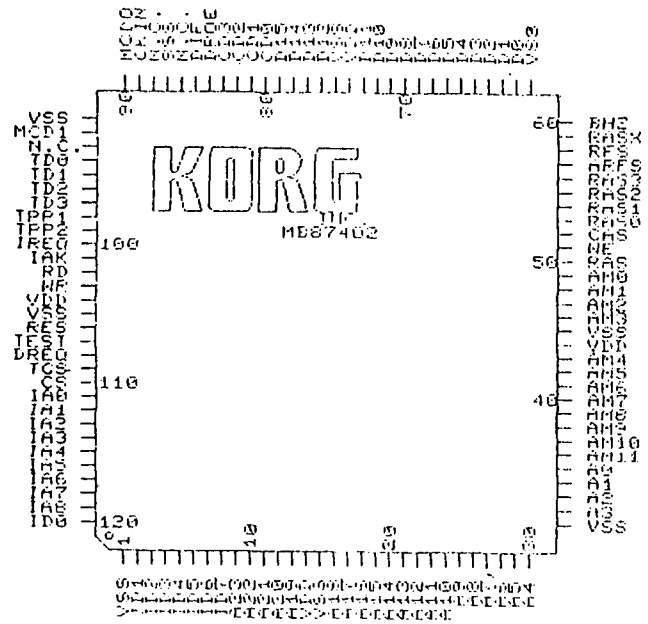


NO.	PIN NAME	I/O	NO.	PIN NAME	I/O	NO.	PIN NAME	I/O	NO.	PIN NAME	I/O
1	L0	O	26	B6	I	51	DCOM	I	76	IRQ	O
2	L1	O	27	B7	I	52	TCK2	I	77	80	I
3	VDD	—	28	VDD	—	53	VDD	—	78	VDD	—
4	VSS	—	29	VSS	—	54	VSS	—	79	VSS	—
5	L2	O	30	M0	I	55	POLM	I	80	WE	O
6	L3	O	31	M1	I	56	POLB	I	81	RA7	O
7	L4	O	32	M2	I	57	TCK1	I	82	RA6	O
8	L5	O	33	M3	I	58	TCK0	I	83	RA8	O
9	L6	O	34	M4	I	59	TEST	I	84	RA5	O
10	L7	O	35	M5	I	60	RES	I	85	RA9	O
11	L8	O	36	M6	I	61	A0	I	86	RA4	O
12	L9	O	37	M7	I	62	A1	I	87	RA3	O
13	L10	O	38	CK2B	O	63	A2	I	88	OE	O
14	L11	O	39	CK2	O	64	WR	I	89	RA2	O
15	VSS	—	40	VSS	—	65	VSS	—	90	VSS	—
16	L12	O	41	XTAL	I	66	RD	I	91	RA1	O
17	L13	O	42	EXTL	O	67	CS	I	92	RA0	O
18	L14	O	43	NC	—	68	D0	I/O	93	RD7	I/O
19	L15	O	44	CK1B	O	69	D1	I/O	94	RD0	I/O
20	B0	I	45	CK1	O	70	D2	I/O	95	RD6	I/O
21	B1	I	46	NC	—	71	D3	I/O	96	RD1	I/O
22	B2	I	47	P0	I/O	72	D4	I/O	97	RD5	I/O
23	B3	I	48	P1	I/O	73	D5	I/O	98	RD2	I/O
24	B4	I	49	P2	I/O	74	D6	I/O	99	RD4	I/O
25	B5	I	50	P3	I/O	75	D7	I/O	100	RD3	I/O

# MB87402

PIN NAME	I/O	PIN NAME	I/O
ID 0~ID 7	BUS	RAS 0~RAS 3	OUTPUT
IA 0~IA 8	INPUT	RFS	OUTPUT
CS	INPUT	ARFS	OUTPUT
TCS	INPUT	DPOE	OUTPUT
DREQ	OUTPUT	DIF	OUTPUT
IREQ	OUTPUT	BHZ	INPUT
IAK	INPUT	CKIN	INPUT
RD	INPUT	MCDI	INPUT
WR	INPUT	MCDO	OUTPUT
RES	INPUT	CD 0~CD 3	OUTPUT
D 0~D 15	BUS	SSS	OUTPUT
A 0~A 23	OUTPUT	TEST,TPP1	INPUT
AM 0~AM 11	OUTPUT	TPP 1,TD 0~TD 3	
RAS	OUTPUT	NC	
RASX	OUTPUT	VDD	
CAS	OUTPUT	VSS	
WE	OUTPUT		

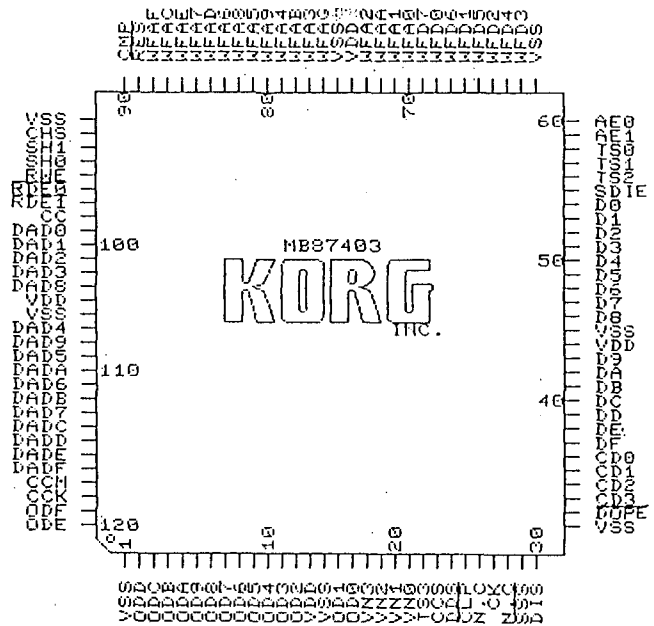
Pin Assignment



# MB87403

PIN NAME	I/O	PIN NAME	I/O
VDD		CD 0~CD 3	INPUT
VSS		DDS,CCS,SDIE	INPUT
NC		RWE	INPUT
RES	INPUT	RDE 0~RDE 1	OUTPUT
CK	INPUT	CHS	OUTPUT
SSS	INPUT	SH 0,SH 1	OUTPUT
DIS	INPUT	CCK	OUTPUT
DOPE	INPUT	CCM	OUTPUT
D 0~D 15	BUS	CC	OUTPUT
WFA 0~WFA 16	OUTPUT	CMP	INPUT
WFD 0~WFD 7	INPUT	DAD 0~DAD 15	INPUT/OUTPUT
AE 0, AE 1	OUTPUT	CLP	OUTPUT
VN 0~VN 3	OUTPUT	TS 0~TS 2	INPUT
OD 0~OD 15	OUTPUT		

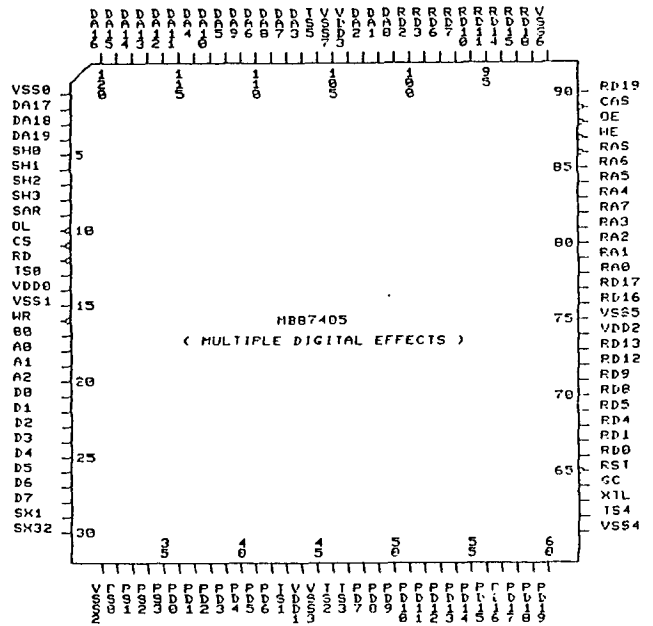
Pin Assignment



# MB87405

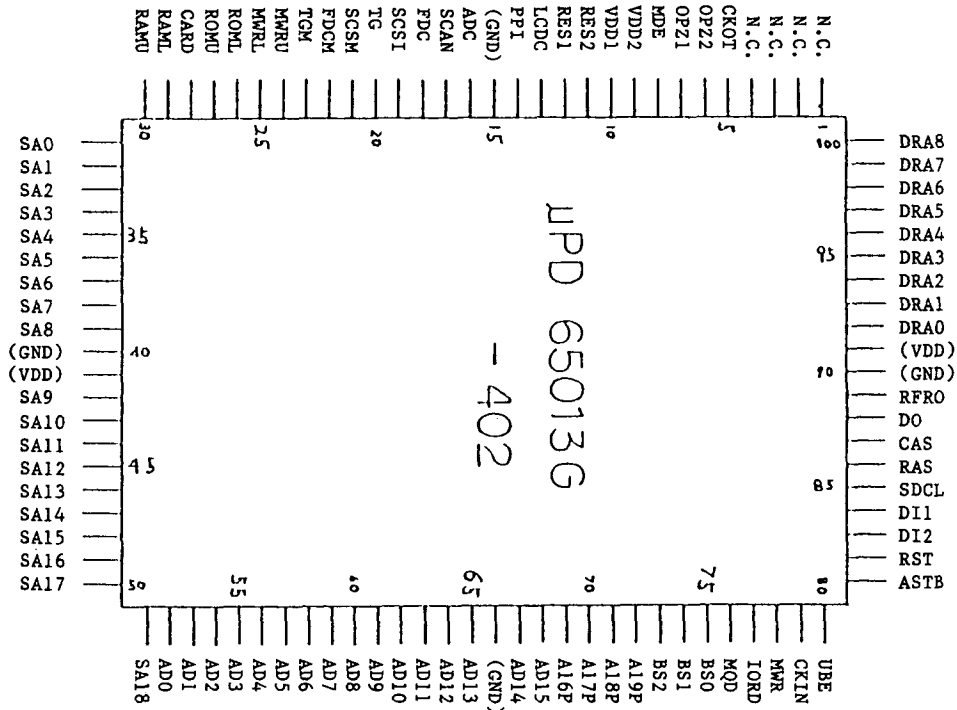
PIN NAME	I/O	PIN NAME	I/O
80	INPUT	DA 0~D 19	OUTPUT
CS	INPUT	SH 0~SH 3	OUTPUT
RD	INPUT	SAR	INPUT
WR	INPUT	OL	OUTPUT
A 0~A 2	INPUT	SX 1,SX 32	OUTPUT
D 0~D 7	BUS	PD 0~PD 19	INPUT
RAS	OUTPUT	GC	INPUT
CAS	OUTPUT	RST	INPUT
OE	OUTPUT	XTL	INPUT
WE	OUTPUT	TS 0~TS 5	INPUT
RA 0~RA 7	OUTPUT	VDD0~VDD3	
RD 0~RD 19	BUS	VSS 0~VSS 7	

## Pin Assignment



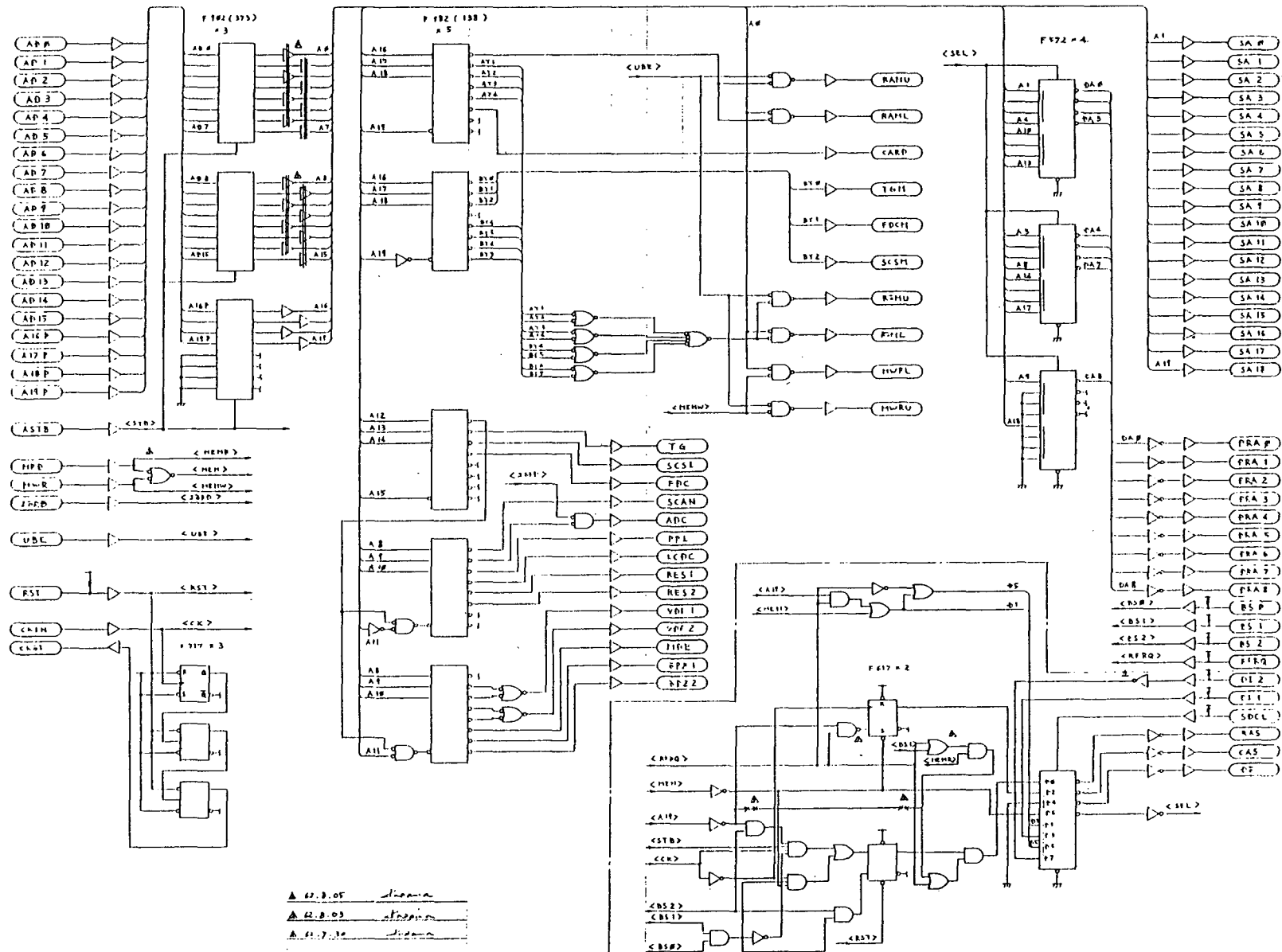
# μPD65013G-402

## Pin Assignment



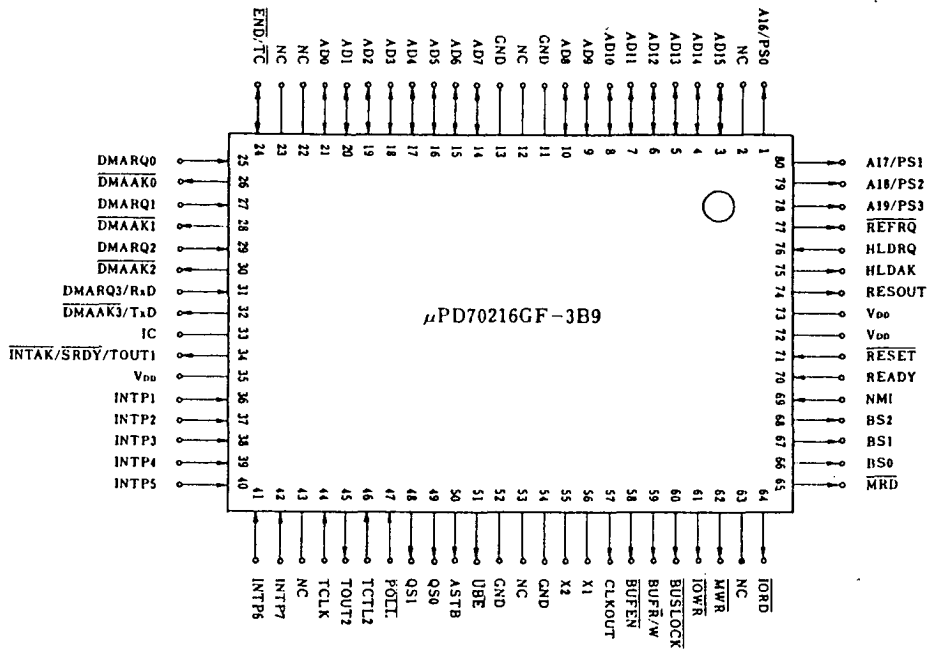
# μPD 65013G - 402

## Internal Block Diagram

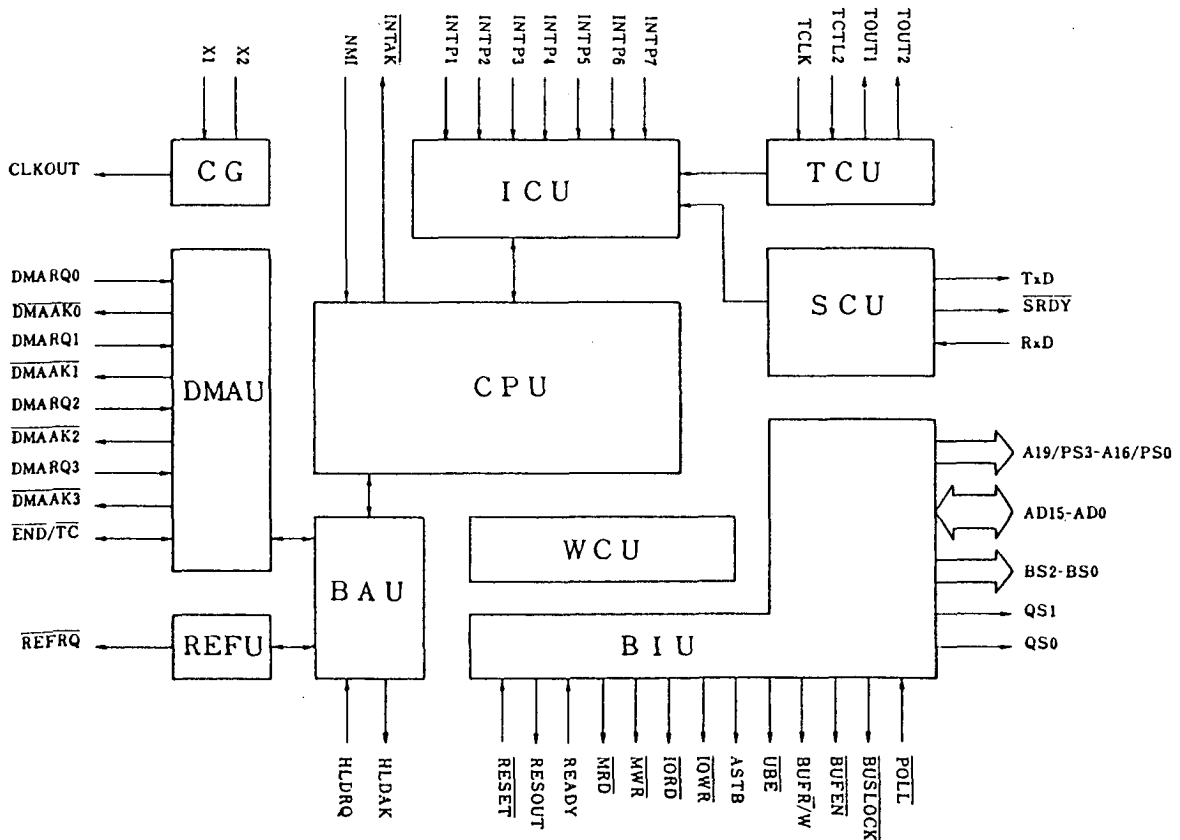




## Pin Assignment

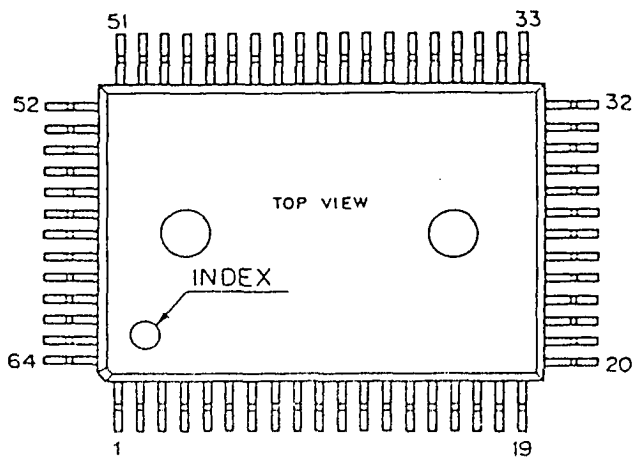


## Internal Block Diagram

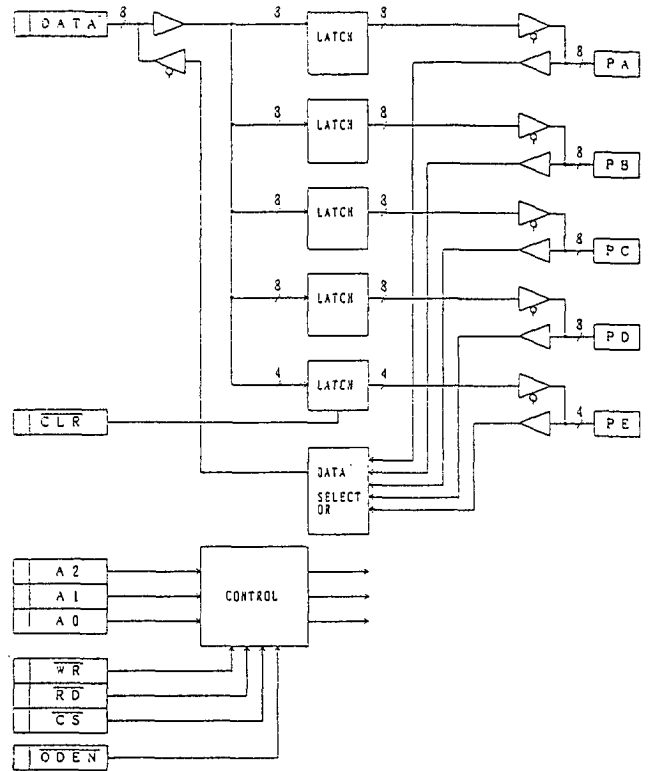


# CXD1095Q

## Pin Assignment



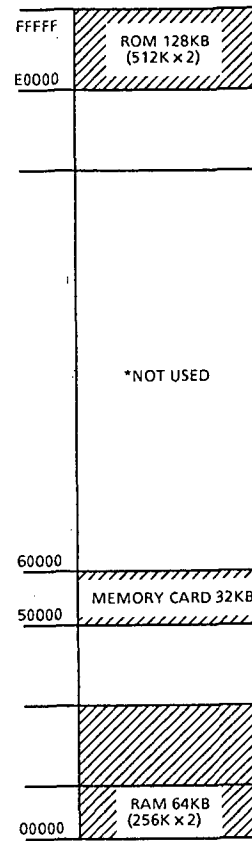
## Internal Block Diagram



NO.	PIN NAME	I/O	NO.	PIN NAME	I/O	NO.	PIN NAME	I/O	NO.	PIN NAME	I/O
1	N. C	—	17	PC 6	I/O	33	N. C	—	49	PE 0	I/O
2	N. C	—	18	PC 7	I/O	34	N. C	—	50	PE 1	I/O
3	PB 1	I/O	19	N. C	—	35	D 3	I/O	51	N. C	—
4	PB 2	I/O	20	PD 0	I/O	36	D 4	I/O	52	PE 2	I/O
5	PB 3	I/O	21	PD 1	I/O	37	D 5	I/O	53	PE 3	I/O
6	PB 4	I/O	22	PD 2	I/O	38	D 6	I/O	54	PA 0	I/O
7	PB 5	I/O	23	PD 3	I/O	39	D 7	I/O	55	PA 1	I/O
8	PB 6	I/O	24	PD 4	I/O	40	CLR	I	56	PA 2	I/O
9	PB 7	I/O	25	VSS	—	41	ODEN	I	57	VSS	—
10	VSS	—	26	VDD	—	42	VSS	—	58	VDD	—
11	PC 0	I/O	27	PD 5	I/O	43	WR	I	59	PA 3	I/O
12	PC 1	I/O	28	PD 6	I/O	44	RD	I	60	PA 4	I/O
13	PC 2	I/O	29	PD 7	I/O	45	CS	I	61	PA 5	I/O
14	PC 3	I/O	30	D 0	I/O	46	A 0	I	62	PA 6	I/O
15	PC 4	I/O	31	D 1	I/O	47	A 1	I	63	PA 7	I/O
16	PC 5	I/O	32	D 2	I/O	48	A 2	I	64	PB 0	I/O

# I/O MAP

FFFF	§	*NOT USED
4000		
3000	§	FDC A 0~A 9
2000	§	SCSI A 0~A 9
1000	§	TG A 0~A 8
0F00		*NOT USED
0E00		*NOT USED
0D00		
0C00		
0B00		LCDC A 0
0A00		PPI A 0~A 2
0900		A/D CON
0800		SCAN A 0
0700		OPZ 2
0600		OPZ 1 A 0
0500		MDE A 0~A 2
0300		VDF 2'
0100		VDF 1 A 0~A 7
0000		INTERNAL PERIPHERAL



# 7. PARTS LIST

PARTS CODE	PARTS NAME SPECIFICATIONS	P.C. BOARD	IDENTIFICATION NO. FUNCTION	Q'TY
<b>POW. SPLY. P.C. BOARD</b>				
002126700	KLM-1267		100JP 117US 117EX	1 1 1
002126800	KLM-1268		117CN	1
002126900	KLM-1269		220SE 220GE 220WG 240AF 240AU 240GE 220SC 220FR 240UK	1 1 1 1 1 1 1 1 1
<b>CARBON RESISTORS</b>				
104013210	S1/4JYTP 10 OHM	1262		2
104013310	S1/4JYTP 100 OHM			2
104013322	S1/4JYTP 220 OHM	1263		5
104013333	S1/4JYTP 330 OHM	1262		13
104013347	S1/4JYTP 470 OHM			1
104013362	S1/4JYTP 620 OHM	1263		1
104013382	S1/4JYTP 820 OHM			1
104013410	S1/4JYTP 1 K	1262		6
		1263		1
104013420	S1/4JYTP 2 K	1262		1
104013433	S1/4JYTP 3.3 K	1263		1
104013510	S1/4JYTP 10 K	1262		9
		1263		4
104013515	S1/4JYTP 15 K			1
104013533	S1/4JYTP 33 K	1262		1
104013547	S1/4JYTP 47 K			3
104013633	S1/4JYTP 330 K			1
104013651	S1/4JYTP 510 K			1
104016000	1/6JTP 0 OHM	1261		7
		1266		2
104016210	1/6JTP 10 OHM	1261		2

PARTS CODE	PARTS NAME SPECIFICATIONS	P.C. BOARD	IDENTIFICATION NO. FUNCTION	Q'TY
104016222	1/6JTP 22 OHM	1266		2
104016233	1/6JY 33 OHM	1261		2
		1266		1
104016310	1/6JTP 100 OHM			2
104016320	1/6JYTP 200 OHM			1
104016368	1/6JTP 680 OHM			1
104016391	1/6JYTP 910 OHM	1261		8
		1266		1
104016410	1/6JTP 1.0 K	1261		3
		1266		9
104016415	1/6JTP 1.5 K	1261		19
104016420	1/6 JTP 2.0 K			1
104016433	1/6 JTP 3.3 K			4
104016510	1/6 JTP 10 K			22
		1266		11
104016524	1/6 JTP 24 K	1261		4
104016547	1/6 JTP 47 K	1266		1
104016610	1/6 JTP 100 K	1261		12
		1266		3
104016647	1/6 JTP 470 K	1261		1
104016710	1/6 JTP 1.0 M			5
104016730	1/6 JYTP 3.0 M	1266		2
<b>METAL FILM RESISTORS</b>				
124213499	499 OHM	1261		2
124214100	1.00 K			1
124214301	3.01 K			1
124215100	10.0 K	1266		2
<b>BLOCK RESISTORS</b>				
135006510	RKC1/8B6J 10 K	1266		2
135007510	RKC1/8B7J 10 K			1
135008510	RKC1/8B8J 10 K			7
135010510	RKC1/8B10J 10 K			1
135012510	RKC1/8B12J 10 K			1
138016001	RN3J6C101J 100 OHM	1264		6

PARTS CODE	PARTS NAME SPECIFICATIONS	P.C. BOARD	IDENTIFICATION NO. FUNCTION	Q'TY
<b>METAL OXIDE RESISTOR</b>				
170051215	1WJY 15 OHM	1266		2
<b>MYLAR CAPACITOR</b>				
204001410	50X 0.001 $\mu$ F	1261		8
<b>AXIAL CAPACITOR</b>				
214016101	50V 0.1 $\mu$ F	1266		3
<b>CERAMIC CAPACITORS</b>				
214052100	50V 10PF TP	1261		4
		1266		2
214052470	50V 47PF TP	1261		4
214053330	50V 330PF TP	1262		2
214053470	50V 470PF TP	1261		8
214054100	50V 1000PF TP	1266		1
214055100	50V 0.01 $\mu$ F TP			1
214055470	50V 0.047 $\mu$ F TP	1261		19
		1263		1
		1262		7
		1266		52
214056100	25V 0.1 $\mu$ F TP	1263		1
		1266		2
<b>EMI FILTER</b>				
219050100	DSS 310 - 55D 223S	1261		2
		1266		1
<b>TANTALUM CAPACITOR</b>				
224007210	16V 10 $\mu$ F	1262		4
		1264		1
<b>BLOCK CAPACITOR</b>				
248016333	50V 330 PFX 6	1264		3
<b>ELECTROLYTIC CAPACITOR</b>				
254003210	16V 10 $\mu$ F	1261		4

PARTS CODE	PARTS NAME SPECIFICATIONS	P.C. BOARD	IDENTIFICATION NO. FUNCTION	Q'TY
254003210	16V 10 $\mu$ F	1266		2
254003310	16V 100 $\mu$ F			1
254003347	16V 470 $\mu$ F	1261		4
254006110	50V 1 $\mu$ F	1266		1
254063210	16V 10 $\mu$ F	1261		8
254073222	16V 22 $\mu$ F	1262		2
254076110	50V 1 $\mu$ F			2
<b>PPC</b>				
264003433	100V 3300PF J	1261		4
<b>TRANSISTORS</b>				
304000050	2SA 1175	1261		1
304020020	2SC 2785 TK	1262		6
304020070	2SC 2785	1263		2
304020100	BA1A4M - T	1266		7
304020110	BN1A4M - 1			4
<b>FET</b>				
304060022	2SK381 - T11 - B/C	1261		4
<b>DIODES</b>				
310030100	SS1.5J4	1266		1
314000300	1S - 2473	1263		1
314001300	1SS - 133	1261		4
		1266		9
<b>LED</b>				
312008400	GL5HD40	1262		11
312008500	2COL.GL5ED5			1
<b>LCD</b>				
313001300	GMD4022BNLY			1
<b>ZENER DIODE</b>				
314023900	RD5.1ESB1 - T	1261		3

PARTS CODE	PARTS NAME SPECIFICATIONS	P.C. BOARD	IDENTIFICATION NO. FUNCTION	Q'TY
<b>ICs</b>				
320001061	μPD - 4050BC	1266		1
320001063	μPD - 4053BC	1261		3
320001071	μPD 74HC138C	1266		1
320001072	μPD 74HC244C			2
320001097	74HC04C			1
320001128	μPD 43256C - 15L			2
320001145	μPD65013G - 402 - 10			1
320001146	μPD 70216GF - 8 - 3B9			1
320001152	μPD 4364CX - 12L			1
320001154	μPD 23C4000C - 150			1
320001155	μPD 23C4000C - 151			1
320001156	μPD 23C4000C - 152			1
320001157	μPD 23C4000C - 153			1
320001158	μPD 23C4000C - 154			1
320001159	μPD 23C4000C - 155			1
320001160	μPD 23C4000C - 156			1
320001161	μPD 23C4000C - 157			1
320001162	μPD 23C512EC - 039			2
320001173	μPD27C512C-15			2
320009072	MJM - 5532S	1261		8
320010002	CXD1095Q	1266		1
320011014	M - 74LS138P			1
320011026	M - 5216L	1262		1
320011036	M58990 P - 1	1266		1
320011062	M74LS245P			3

PARTS CODE	PARTS NAME SPECIFICATIONS	P.C. BOARD	IDENTIFICATION NO. FUNCTION	Q'TY
320011063	M5218L	1266		1
320011067	M74ALS74P			1
320011076	M5238L	1261		3
320011089	M5195BSL	1266		1
320011100	M5M4464AL-12			5
320011101	M51204TL	1262		1
320012049	MB87402PF (QFP120)	1266		1
320012050	MB87403APF (QFP120)			1
320012051	MB87404PF (QFP120)			2
320012052	MB87405PF (QFP120)			1
320012055	MB670484PF			1
320012058	MB83512-15P-259			1
320036001	PCM54HP	1261		1
<b>PHOTO COUPLER</b>				
330001000	TLP-552	1263		1
<b>TIME BASE MODULE</b>				
335003000	KXO-01-32MHz	1266		1
<b>P. C. BOARDS</b>				
343012610	KLM-1261	1261		1
343012620	KLM-1262	1262		1
343012630	KLM-1263	1263		1
343012640	KLM-1264	1264		1
343012660	KLM-1266	1266		1
<b>VRs</b>				
360021200	RK09K1110AB2A 10KB	1263		1
360021300	RK1631110RZ2A 10KB			2

PARTS CODE	PARTS NAME SPECIFICATIONS	P.C. BOARD	IDENTIFICATION NO. FUNCTION	Q'TY
<b>SLIDE VRs</b>				
365007800	RS30111AC00NA 10KB	1262		1
365008000	RS30112AC00JA 10KBX2			1
<b>POWER SW</b>				
375006100	SDL-1P			1
<b>TACT SW</b>				
375007500	SKHHAN	1262		34
<b>COIL</b>				
402002200	36640	1263		9
		1266		6
402002300	BLO2RN2-R62	1263		6
402003400	2943-000301	1266		1
<b>KEYBOARD</b>				
420004000	FS-61			1
<b>PHONE JACK</b>				
454004400	YKB21-5010	1263		8
<b>CONNECTOR TOP</b>				
471060200	B2B-EH	1266		1
<b>CONNECTOR</b>				
471060300	B3B-EH	1266		1
471060400	B4B-EH	1261		1
471060700	B7B-EH			1
471060800	B8B-EH	1266		1
471061000	B10B-EH			2
471061100	B11B-EH			1
471061300	B13-EH			2
472060800	S8B-EH	1263		1

PARTS CODE	PARTS NAME SPECIFICATIONS	P.C. BOARD	IDENTIFICATION NO. FUNCTION	Q'TY
<b>CARD FIT CONNECTOR</b>				
474004721	ZC-040	1264		1
		1266		1
474004725	ZC-024			1
<b>BC CONNECTOR</b>				
474009901	S-32	1266		1
<b>HEADER</b>				
474010500	HIF3FB-14PA- 2.54DSA	1266		1
<b>SMCD CONNECTOR</b>				
474011120	FC-24(1.6)	1261		1
<b>CARD CONNECTOR</b>				
474011300	HGC0338	1264		1
<b>HARNESS</b>				
475001192	HNS-1192	1262		1
475001193	HNS-1193			1
475001194	HNS-1194			1
475001195	HNS-1195			1
475001196	HNS-1196	1263		1
475001197	HNS-1197			1
475001198	HNS-1198			1
475001199	HNS-1199			1
475001200	HNS-1200			1
475001201	HNS-1201	1262		1
475001202	HNS-1202	1264		1
475001203	HNS-1203	1262		1
475001204	HNS-1204	1261		1
<b>IC SOCKET</b>				
480001283	28P DICF-28CS-E	1266		2

PARTS CODE	PARTS NAME SPECIFICATIONS	P.C. BOARD	IDENTIFICATION NO. FUNCTION	Q'TY
<b>DIN JACK SOCKET</b>				
480010180	(X3) M-1704	1263		1
<b>RUBBER FEET</b>				
500009500				4
<b>RUBBER SPACER</b>				
500012900				3
<b>LITHIC BATTERY</b>				
520001700	CR2032	1266		1
<b>WIRE BAND</b>				
540007200	PLT-1M			9
<b>SPIRAL CLIP</b>				
540008600	CS-8			3
<b>INLET SOCKET</b>				
540012300	PA-125-BS		240UK	1
540012400	PA-125-CU		220SC	1
			100JP	1
			220FR	1
			240GE	1
			220SE	1
			117US	1
			117CN	1
			240AU	1
			220WG	1
			240AF	1
			220GE	1
			117EX	1
<b>P. C. BOARD SPACER</b>				
540014500	SPS-3		220WG	6

PARTS CODE	PARTS NAME SPECIFICATIONS	P.C. BOARD	IDENTIFICATION NO. FUNCTION	Q'TY
<b>SMCD HARNESS</b>				
545020280	24 x 395ESX10	1261		1
545020290	40 x 395BDX x 10	1264		1
<b>LED SPACER</b>				
575013900	L = 4MM	1262		11
575013901	L = 3MM			1
<b>AC CORD</b>				
600003200	UC-948-S01		117US	1
			117EX	1
600003300	UC-953-S01		117CN	1
600003400	EC-423-S01		220SE	1
600003500	SC-304-S01		240AU	1
600003600	EC-606-E01		220GE	1
			220SC	1
			220FR	1
			240GE	1
			220WG	1
			240AF	1
600003700	BH-309-S01		240UK	1
600003800	DC-480-S01		100JP	1
<b>POWER SW KNOB</b>				
620018200				1
<b>ROUND KNOB</b>				
620018901	NO. 1GS			5
620019001	NO. 2GS			1
<b>LEVER KNOB</b>				
620019600				1
<b>SLIDE VR KNOB</b>				
620019700				2



PARTS CODE	PARTS NAME SPECIFICATIONS	P.C. BOARD	IDENTIFICATION NO. FUNCTION	Q'TY
<b>LCD WINDOW</b>				
630006500				1
<b>PARAMETER SHEET M1</b>				
630006800				1
<b>SHIELDING SHEET</b>				
630007000			220WG 117US	1 1
<b>INSULATING SHEET</b>				
630007100			220WG	1
<b>WHEEL SPRING</b>				
640089900				2
<b>LOWER CASE</b>				
640091500	M1			1
<b>SIDE CHASSIS</b>				
640091600	(L)M1			1
640091601	(R)M1			1
<b>PU CHASSIS</b>				
640091700				1
<b>MAIN ANGLE A</b>				
640091800				1
<b>MAIN ANGLE B</b>				
640091801				1
<b>JACK PLATE</b>				
640091900		1263		1
<b>CARD ANGLE</b>				
640092000		1264		1

PARTS CODE	PARTS NAME SPECIFICATIONS	P.C. BOARD	IDENTIFICATION NO. FUNCTION	Q'TY
<b>SIDE KB ANGLE</b>				
640092100				1
<b>PANEL ANGLE</b>				
640092200				2
<b>KB ANGLE</b>				
640092400				3
<b>FRONT PANEL M1</b>				
640092600				1
<b>KB SUPPORT</b>				
640094200				1
<b>MIDI SHIELD</b>				
640094300				1
<b>SHIELDING TRAY</b>				
640094400			220WG	1
<b>SHIELDING TRAY COVER</b>				
640094500			220WG	1
<b>LEVER PIN</b>				
644003800				1
<b>EARTH SPRING (D)</b>				
644003900			220WG	4
<b>VR PLATE</b>				
646027600				2
<b>JOYSTICK X SUPPORT</b>				
646027700				1

PARTS CODE	PARTS NAME SPECIFICATIONS	P.C. BOARD	IDENTIFICATION NO. FUNCTION	Q'TY
<b>JOYSTICK Y SUPPORT</b>				
646027800				1
<b>LEVER</b>				
646027900				1
<b>JOYSTICK BOX</b>				
646028000				1
<b>PROG/SEQ CARD SLOT</b>				
646028100				1
<b>SLIDE VR FRAME 1</b>				
646028200				1
<b>PCM CARD SLOT</b>				
646028300		1264		1
<b>SIDE PANEL (L)</b>				
646028400				1
<b>SIDE PANEL (R)</b>				
646028401				1
<b>LCD HOOD</b>				
646028500				1
<b>JOYSTICK PANEL</b>				
646028600				1
<b>JOYSTICK UNDER COVER</b>				
646028700				1
<b>BATTERY HOLDER</b>				
649007400		1266		1

PARTS CODE	PARTS NAME SPECIFICATIONS	P.C. BOARD	IDENTIFICATION NO. FUNCTION	Q'TY
<b>LUG</b>				
672001600	4PHY N3			1
<b>SERIAL NO.</b>				
685099999				
<b>SCREW</b>				
715230308	CT B ZMC 3X8	1263	220WG	4
				5
				43
715230410	CT B ZMC 4X10	1264		2
				7
715260308	CT B BZMC 3X8		220WG	4
				20
			220SE	2
			220GE	2
			220WG	2
			240AF	2
			117CN	2
			117US	2
			240GE	2
			240AU	2
			240UK	2
			220FR	2
			220SC	2
			117EX	2
715260410	CT B BZMC 4X10			15
725030325	TP2G B ZMC 3X25			2
725030420	TP2G B ZMC 4X20			2
725060314	TP2G B BZMC 3X14			4
727030308	TP2G FEW ZMC 3X8			4
745060308	PLAX B BZMC 3X8			24
		1264		2
<b>NUT</b>				
773030700	VN ZMC 7			2
<b>WASHER</b>				
780030300	WM ZMC 3		220WG	4
784030300	TWU ZMC 3			3
784030400	TWU ZMC 4		220WG	4
				1

## **ADVARSEL!**

Lithiumbatteri. Eksplosionsfare. Udsiftning må kun foretages af en sagkyndig, og som beskrevet i service manualen. Batteriet må kun udskiftes med batterier af samme fabrikat og type.

## **Litiumparisto!**

Pariston saa vaihtaa ainoastaan huoltohenkilöstö saman valmistajan vastaavalla tyypellä. Virheellisestä käsittelystä syntyy räjähdysvaara.

# **KORG**

---

**KORG INC.** 15-12, Shimotakaido 1-chome, Suginami-ku, Tokyo 168

---