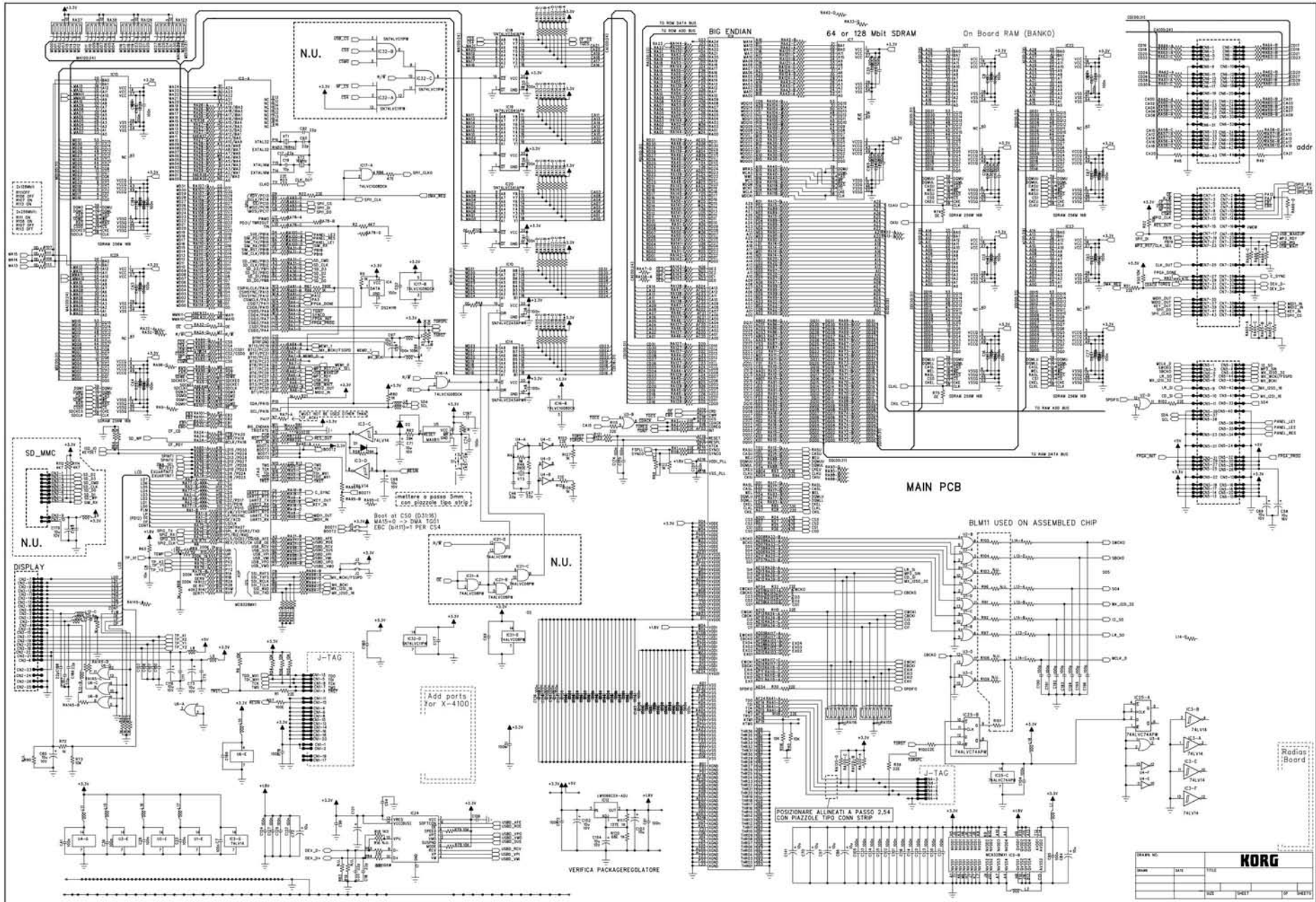
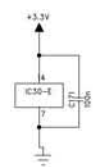
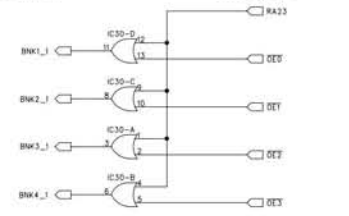
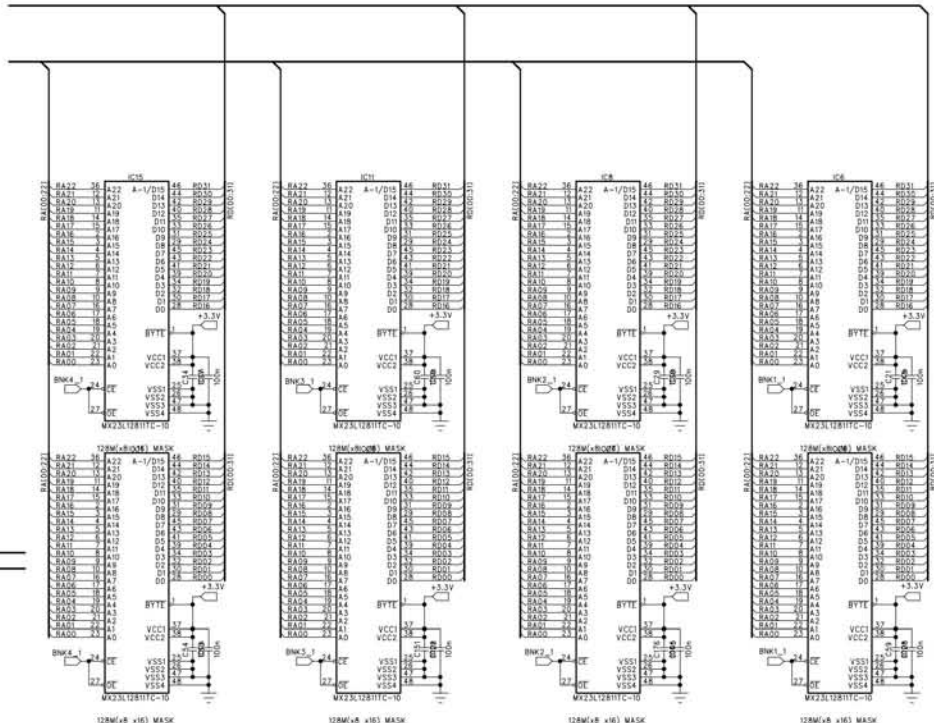
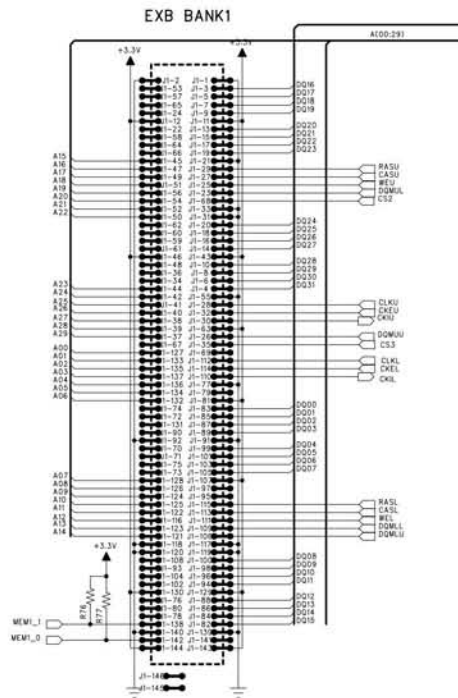


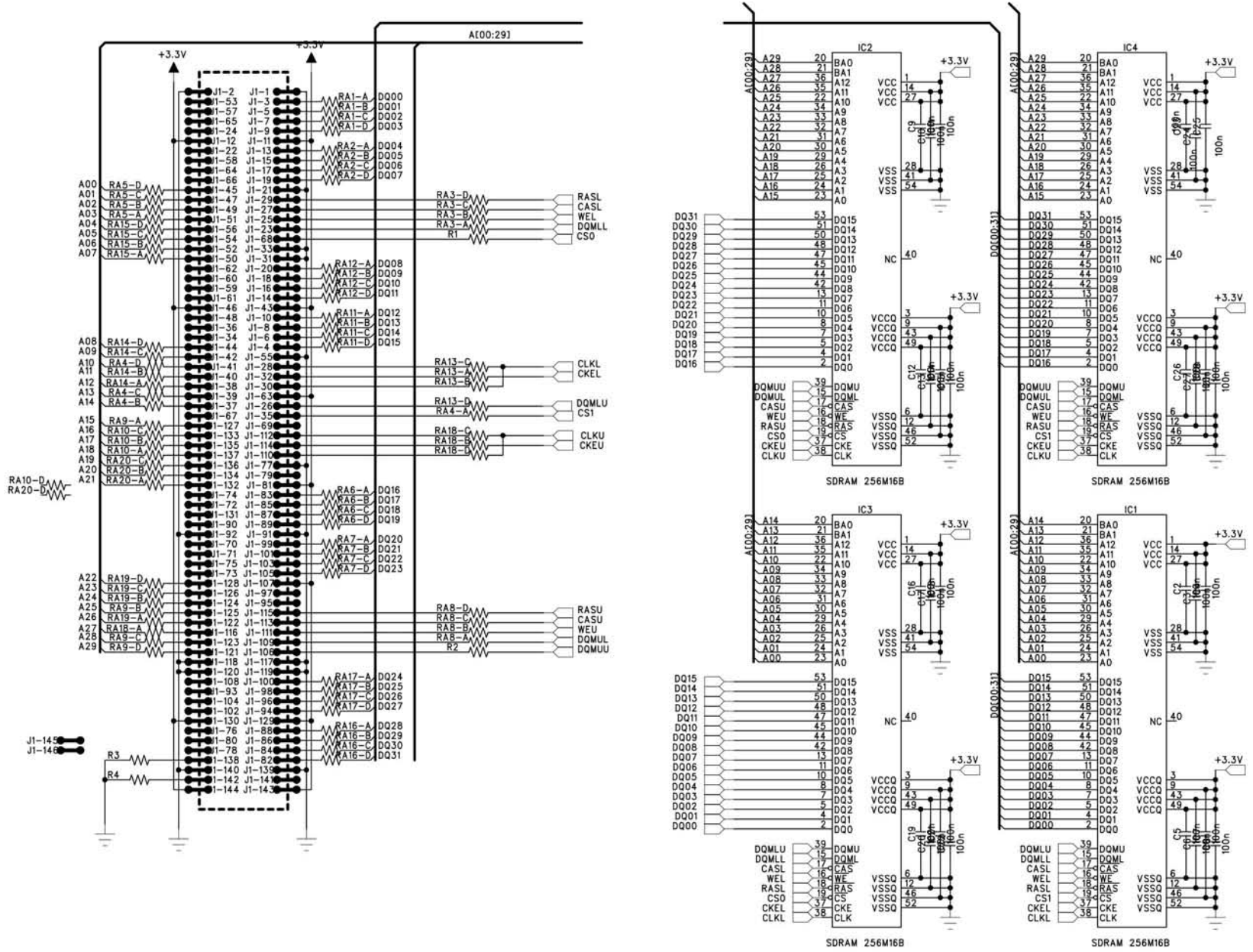
DRAWN NO. KID-B000020		<b>KORG</b>	
DRAWN	DATE 13/11/06	TITLE SCHEMA A BLOCCHI PAB00	
		SIZE A4	SHEET 1 OF 1 SHEETS

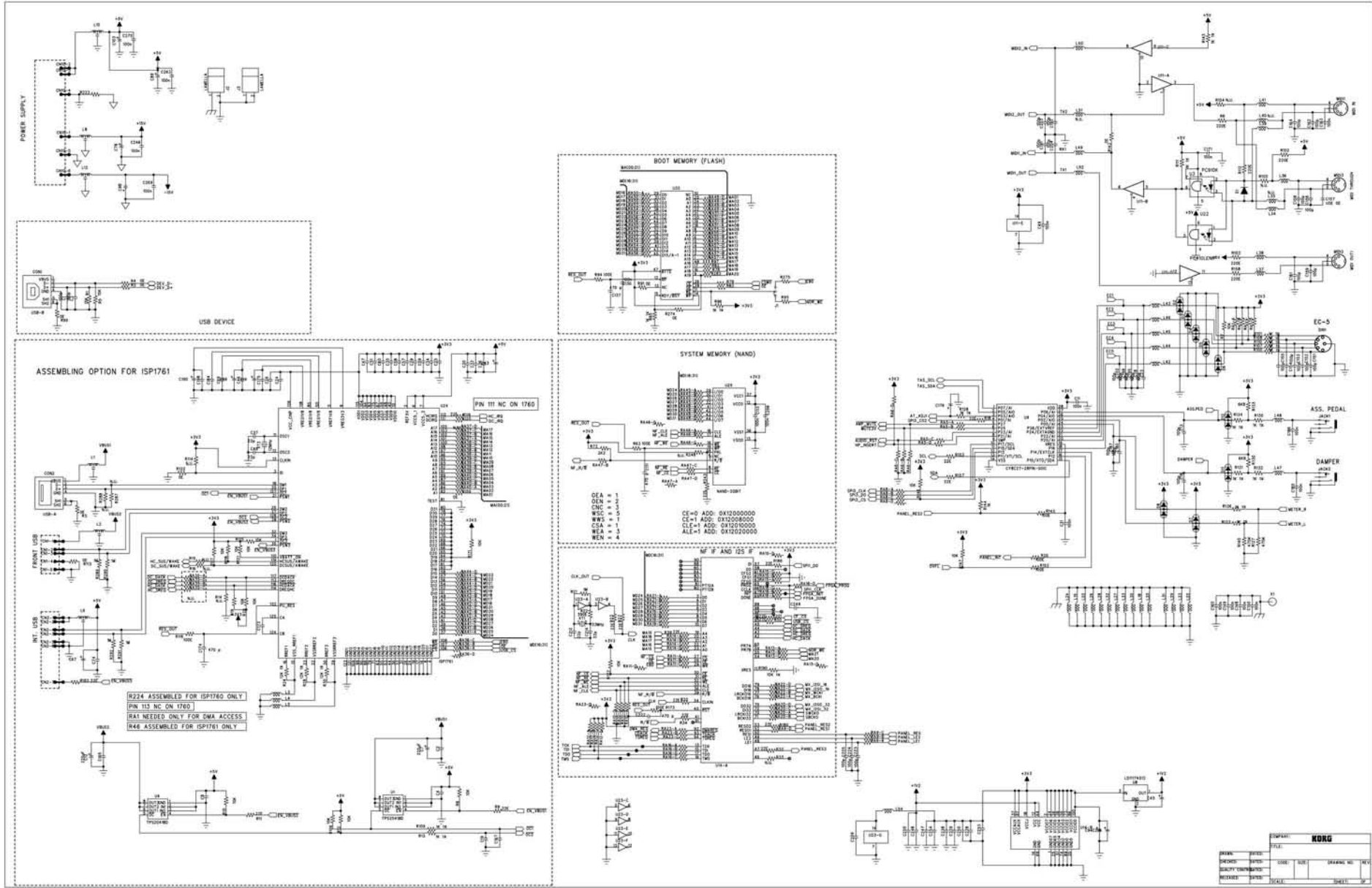




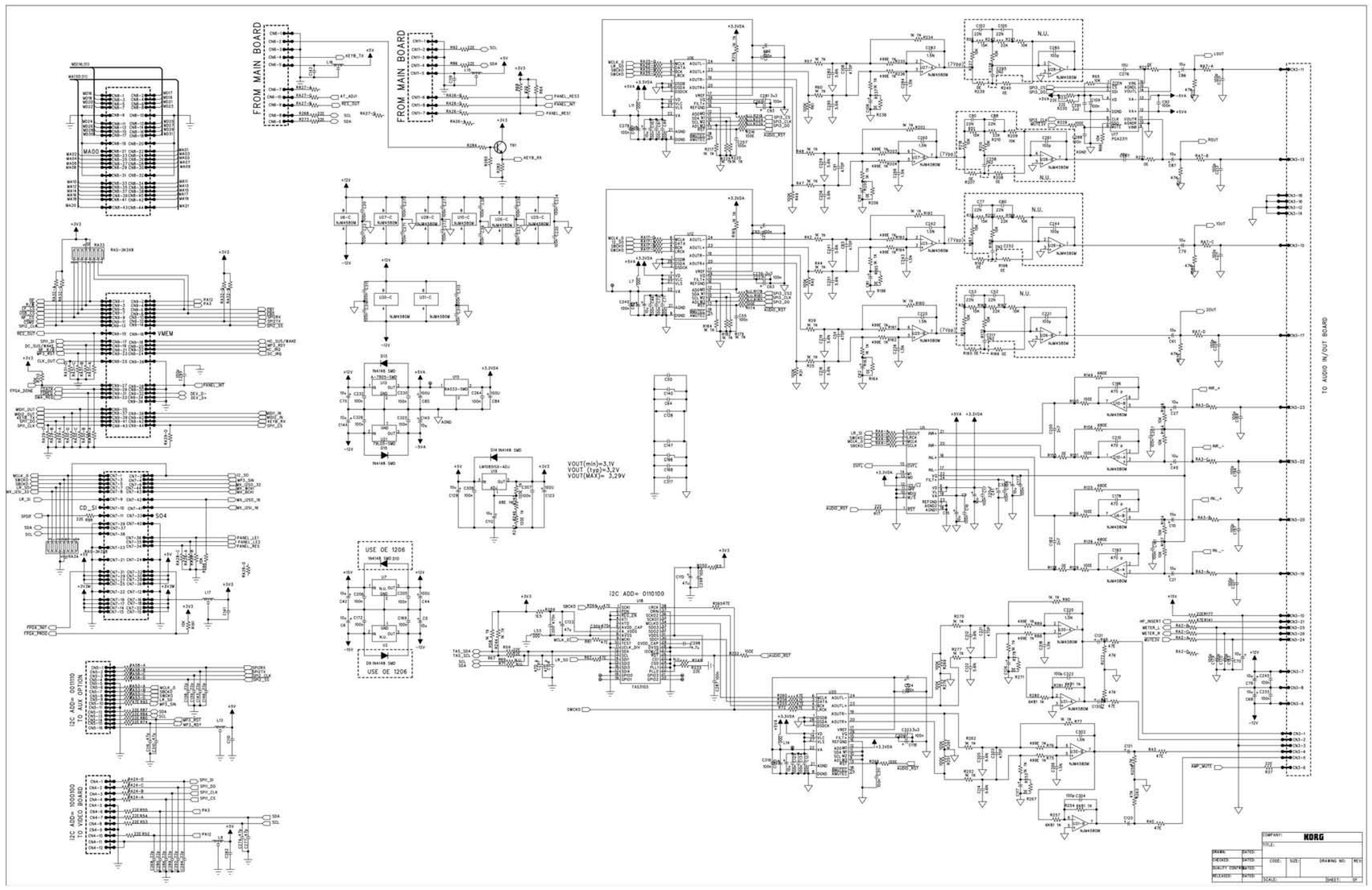
DRAWN NO.		<b>KORG</b>		
DRAWN	DATE			
		SIZE	SHEET	OF SHEETS

# 128MBYTE EXB



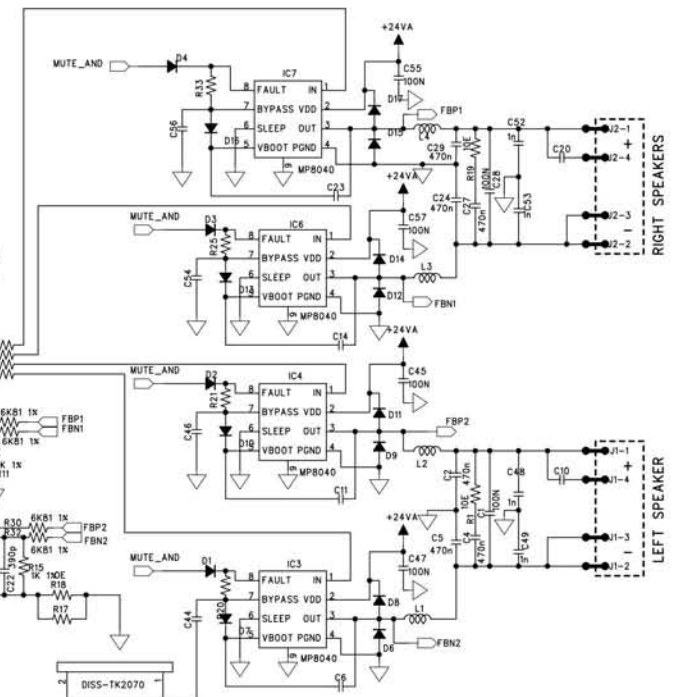
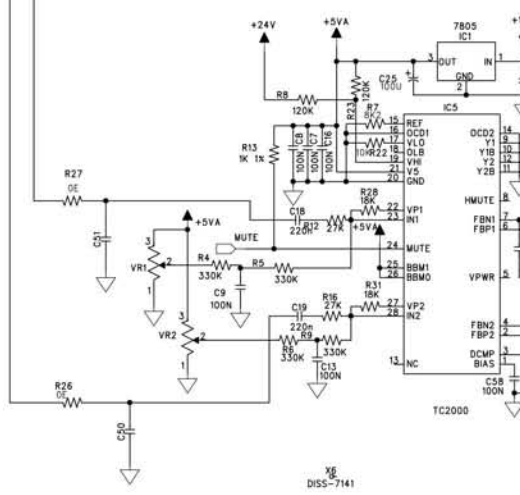
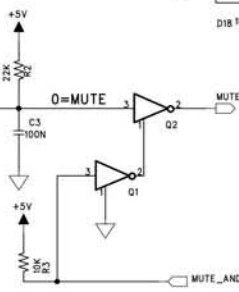
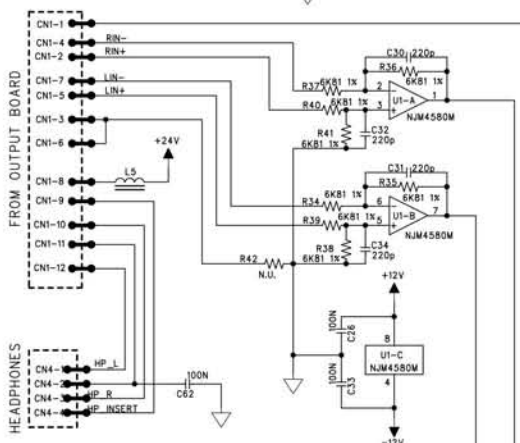
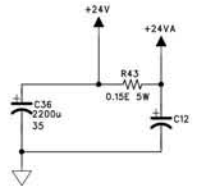
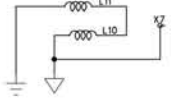
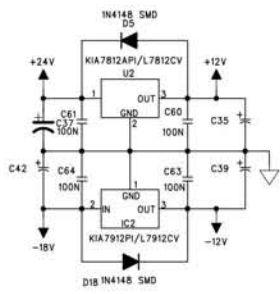
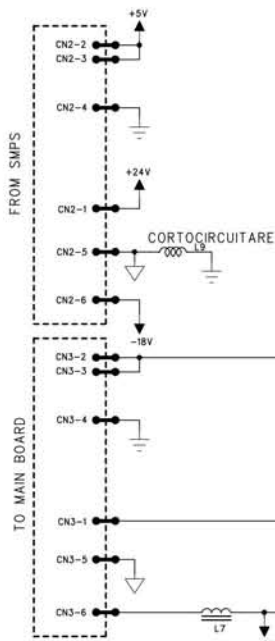


COMPANY: <b>KORG</b>	
DATE:	
DESIGNED BY:	
CHECKED BY:	
DATE:	
SCALE:	
DRAWING NO.:	
SHEET:	

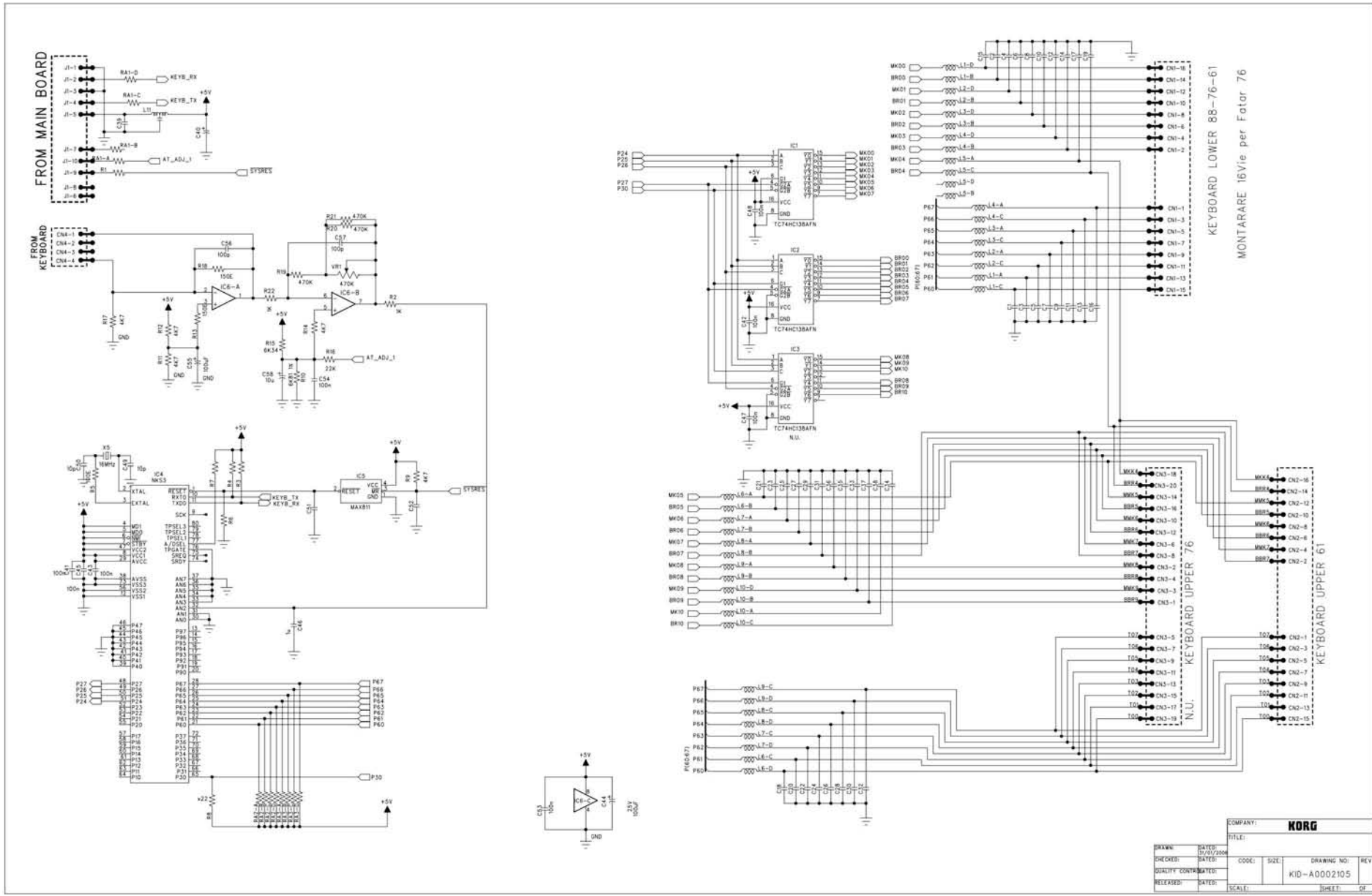


TO AUDIO IN/OUT BOARD

COMPANY: <b>NORG</b>					
TITLE:					
DESIGN:	DATE:	CODE:	SIZE:	DRAWING NO.:	REV:
REVISION:	DATE:	SCALE:	SHEET:	OF	



DRAWN NO. KID-A002075		<b>KORG</b>	
DRAWN M.Palombini	DATE 21-10-2003	TITLE POWER AMP-SUPPLY PA1X KIP2075	
SIZE		SHEET OF SHEETS	



KEYBOARD LOWER 88-76-61  
MONTARRE 16V/c per Fator 76

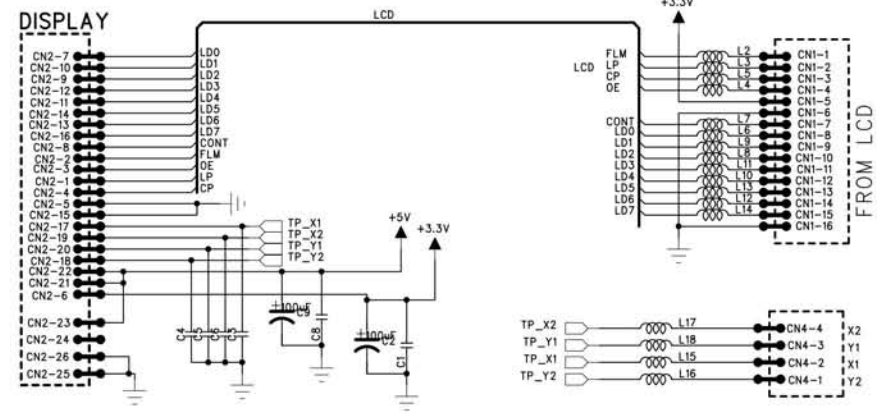
KEYBOARD UPPER 76  
N.U.

COMPANY:		<b>KORG</b>	
TITLE:			
DRAWN:	DATE:	CODE:	SIZE:
CHECKED:	DATED:	DRAWING NO: KEY	
QUALITY CONTR:	DATED:	KID-A0002105	
RELEASED:	DATED:	SCALE:	SHEET: OF



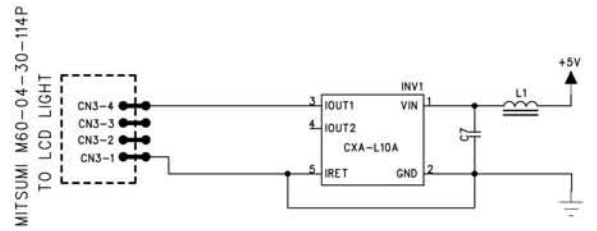
6 5 4 3 2 1

REVISION RECORD		
LTR	ECD NO.	APPROVAL



TO LCD T.S.  
MOLEX 52043-0410

FROM LCD  
JST 16FMZ-ST  
MOLEX 52043-1610



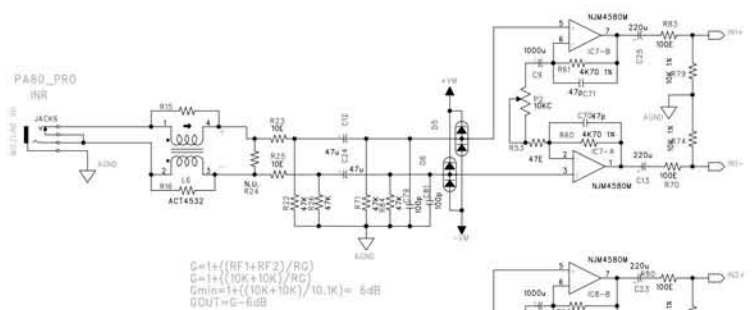
D

C

B

A

DRAWN:		DATED:		COMPANY:			
CHECKED:		DATED:		TITLE:			
QUALITY CONTROL:	RELEASED:	CODE:	SIZE:	DRAWING NO.:		REV.	
SCALE:		SHEET:		OF			

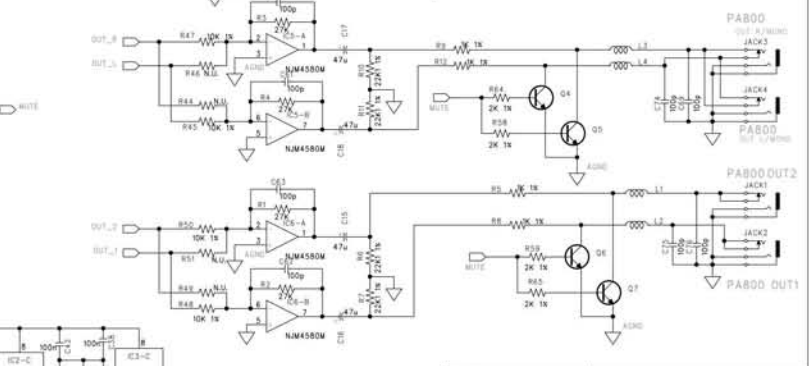
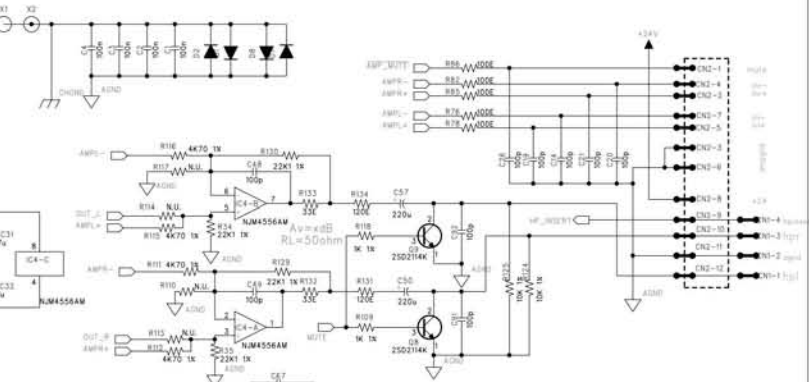
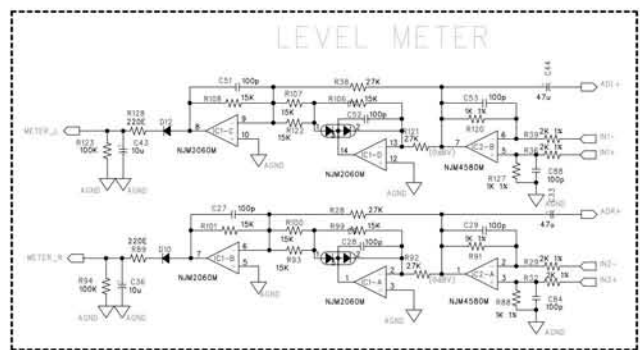
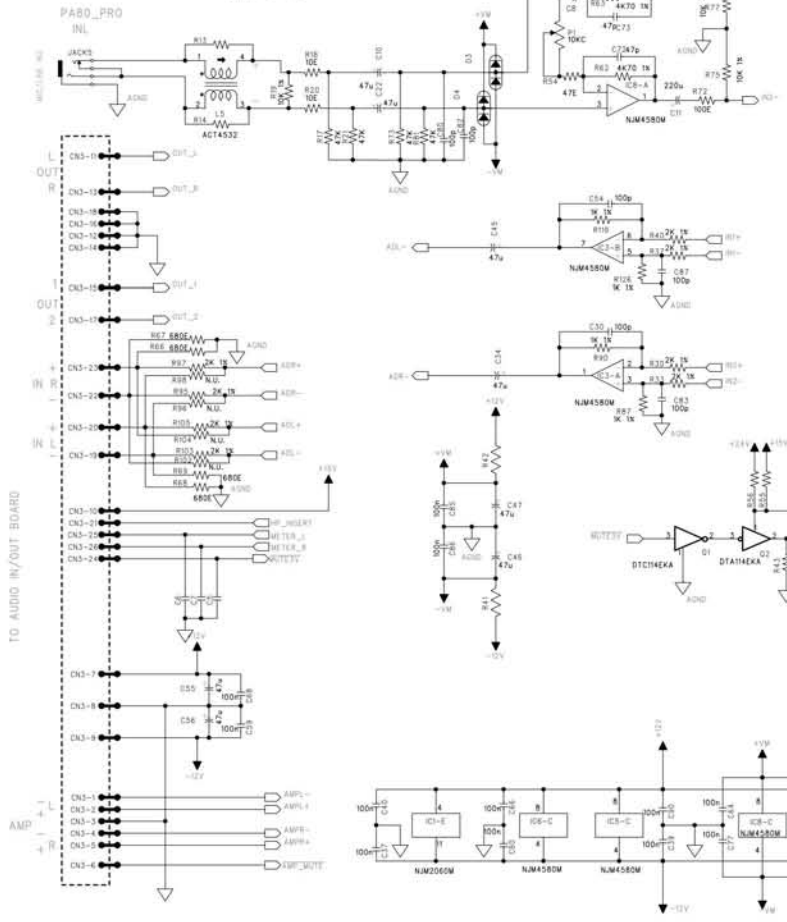


$$G = 1 + \frac{(Rf1 + Rf2)}{Rg}$$

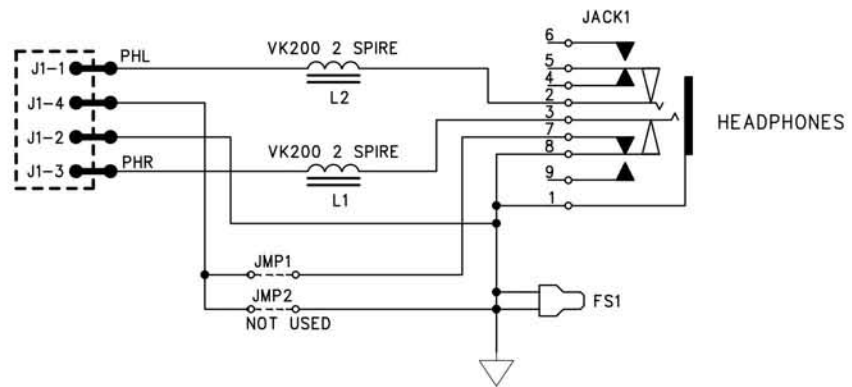
$$G = 1 + \frac{(10k + 10k)}{10k} = 5dB$$

$$G_{min} = 1 + \frac{(10k + 10k)}{10k} = 5dB$$

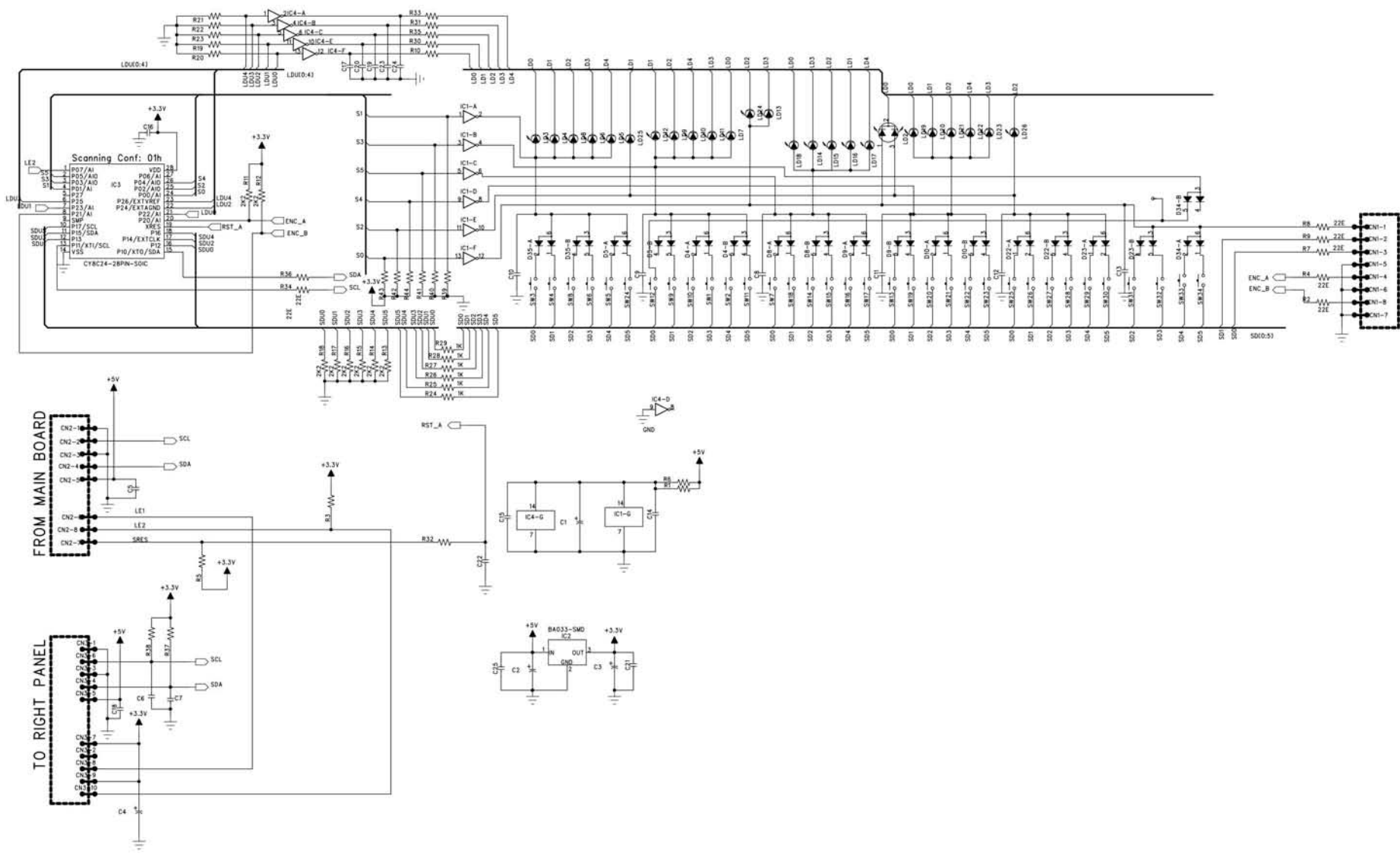
$$G_{OUT} = G - 6dB$$



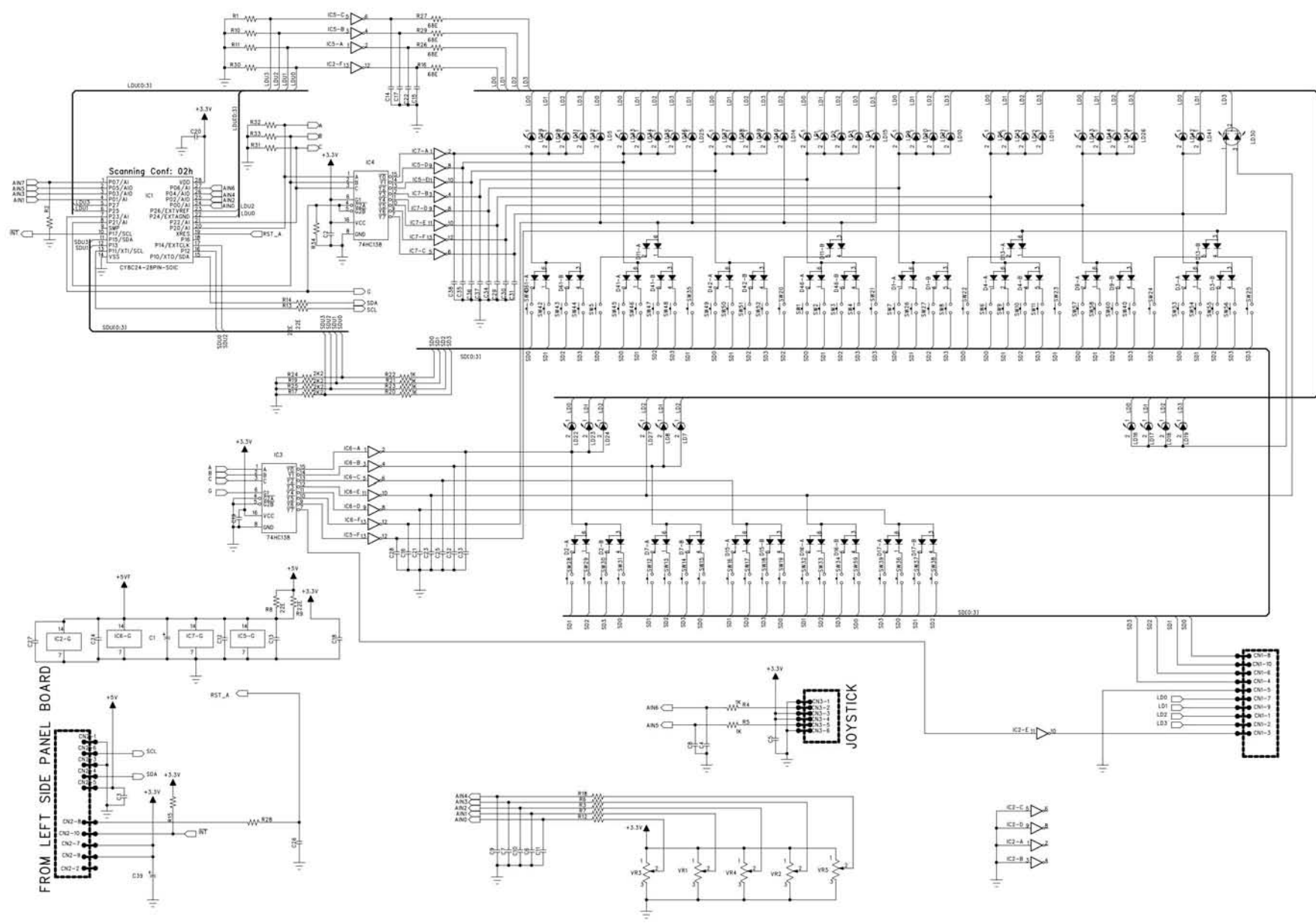
DRAWN BY:		<b>KORG</b>	
DATE: 2000/01/10			
KIP-2108			



DRAWN NO. KID-A002110		<b>KORG</b>	
DRAWN M.PALOMBINI	DATE 30/03/05	TITLE KIP2110 PHONE BOARD	
		SIZE	SHEET OF SHEETS



TO ROTARY ENCODER



6

5

4

3

2

1

REVISION RECORD		
LTR	ECD NO:	APPROVNT:

D

C

B

A

D

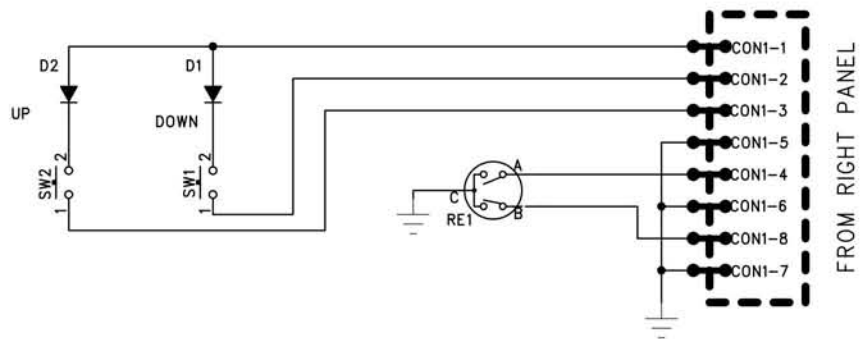
C

B

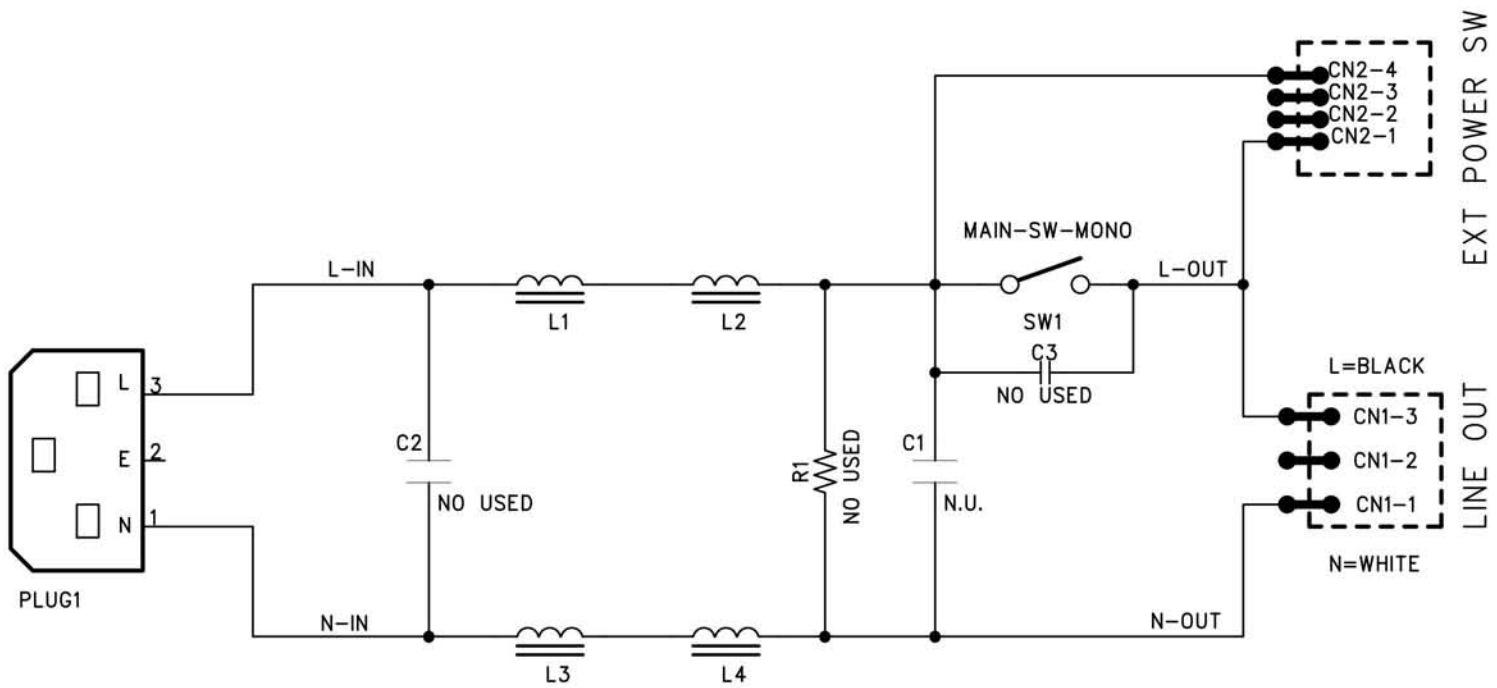
A



DRAWN:		DATED:		COMPANY:			
CHECKED:		DATED:		TITLE:			
QUALITY CONTROL:	DATED:	CODE:	SIZE:	DRAWING NO:		REV	
RELEASED:	DATED:	SCALE:		SHEET:		OF	



DRAWN NO. KID-A002115		<b>KORG</b>	
DRAWN M. PALOMBINI	DATE 31/03/05	TITLE ROTARY ENCODER	
		KIP2115	
		SIZE	SHEET
			OF SHEETS



X1  
○

DRAWN NO. KID-A002117		<b>KORG</b>	
DRAWN M.Palombini	DATE 14/11/05	TITLE LINE AND AC FILTER	
		KIP2117	
		SIZE	SHEET OF SHEETS



6

5

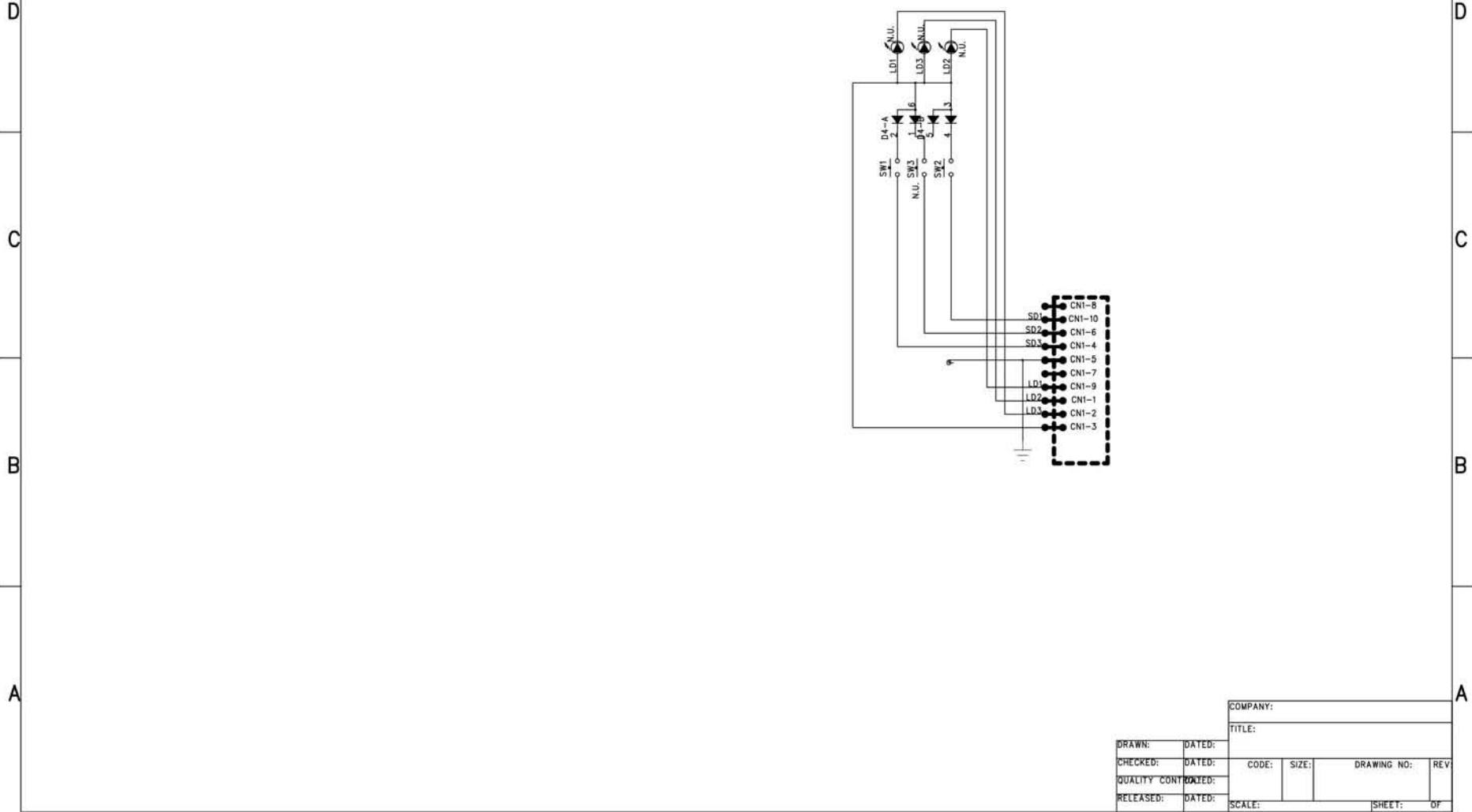
4

3

2

1

REVISION RECORD		
LTR	ECO NO.	APPROVED BY



DRAWN:		DATED:		COMPANY:			
CHECKED:		DATED:		TITLE:			
QUALITY CONTROL:	DATED:	CODE:	SIZE:	DRAWING NO.:	REV		
RELEASED:	DATED:	SCALE:			SHEET:	OF	

# Pa800 PART LIST

## PART LIST ELECTRIC COMPONENTS

CODE	DESCRIPTION	REFERENCE	Q.TY
GRA0002100	CPU BOARD	MG	1
GRA0002101	128MBYTE SDRAM EXB SODIMM 144	MG	1
GRA0002102	MAIN BOARD	MG	1
GRA0002103	AMPLIFIER	PSG	1
GRA0002105	KEYBORD INTERFACE	KG	1
GRA0002107	LCD INTERFACE	UC1	1
GRA0002108	OUTPUT BOARD	MG	1
GRA0002110	HEADPHONE BOARD	LC1	1
GRA0002111	RIGHT PANEL BOARD	UC2	1
GRA0002112	LEFT PANEL BOARD	UC2	1
GRA0002114	FRONT USB CONNECTOR	UC3	1
GRA0002115	ROTARY ENCODER	UC2	1
GRA0002117	MAIN FILTER	PSG	1
GRA0002126	SOUND CONTROL PANEL	UC1	1

## PART LIST CPU BOARD GRA0002100

CODE	DESCRIPTION	REFERENCE	Q.TY
CIN0002075	DSP TG01 MB87M4080PB-G (KORG INC)		1
CIN0002076	USB DEVICE TRANCEIVER ISP1105BS (PHILIPS)		1
CIN0002077	INT. SYSTEM PROCESSOR MC9328MX1VM20		1
CIN0003043	IC.SDRAM 16MX16 MT48LC16M16A2TG-75 SOP54		6
CIN0004005	RES.GEN.3,3V ETC811SUC		1
CIN0010031	IC BUFFER, SN74LVC541APWR, TSSOP20		3
CIN0010032	8BIT BID.BUF. W TRIS.SN74LVC245APWR, TSSOP20		2
CIN0010033	QUAD 2 IN OR GATE, SN74LVC32APWR, TSSOP14		4
CIN0010034	HEX SCHMITT TRIG. INV. SN74LV14APWR, TSSOP14		1
CIN0010035	HEX.UNB. INV. SN74AHCU04PW, TSSOP14		1
CIN0010036	DUAL D- FLIP FLOP.SN74LVC74APWR, TSSOP14		1
CIN0010037	SDRAM, 64MBIT, 16BIT, K4S641632K-UC75, SSOP54		1
CIN0010039	SINGLE 2 IN AND GATE, 74LVC1G08DCK, DCK5		2
CON0001128	26X1.27 VER. PICO FLEX SMD 90814-0026 (MOLEX)		1
CON0001129	SODIMM CONN. 144PIN SIDE ENTRY 54698-1440		1
CON0010040	STRIP F. VER. SMD, 2 F,44V,2MM, H4.6,CB74442M100		3
DIX0006003	DIODE SMD RLS-4148		2
QUA0006004	X-CRYSTAL SMD HCM49 16MHZ		1
QUA0006005	X-CRYSTAL SMD HCM49 24.576MHZ		1
QUA0006012	X-CRYSTAL SMD 32.768KHZ SMD PKG CM200S		1
TRS0002015	ADJ OUT 1.5° LD1086D2T ST/LM1086CSX-ADJ NAT.		1

## PART LIST 128MBYTE SDRAM EXB SODIMM 144 GRA0002101

CODE	DESCRIPTION	REFERENCE	Q.TY
CIN0003043	IC.SDRAM 16MX16 MT48LC16M16A2TG-75 SOP54		2

# Pa800 PART LIST

## PART LIST MAIN BOARD GRA0002102

CODE	DESCRIPTION	REFERENCE	Q.TY
CIN0002026	I.C.SN74AHCU04D HEX.UND.		1
CIN0002040	I.C.NJM4580M OP.AMP.		6
CIN0002066	I.C. DIGITALLY CONT. ANALOG VOL.PGA2311U SMD		1
CIN0002074	I.C. SN74 LVC 125° QUAD BUFFER 3-STA		1
CIN0010000	CONV. D/A, 24BIT, DR=120DB, CS4398-CZ,TSSOP28		3
CIN0010001	CONV. A/D, 24BIT, DR=114DB, CS5361-KZ ,TSSOP24		1
CIN0010003	INTERF. USB HOST CONTR., ISP1761, LQFP128		1
CIN0010004	FPGA LFEC1E-3T100C, TQFP100		1
CIN0010007	DSP TAS3103		1
CIN0010025	1CH USB POWER SW. 0,5°-0,7° TPS2041BD, SOP8		2
CIN0010027	OPTOISOLATOR PC410LENIP-OF, SOP6		1
CIN0010029	NANDFLASH,2GBIT,8BIT,K9F2G08U0M-PCB0,TSOP48		1
CIN0010030	PSOC UC CYPRESS CY8C27443-24SXI SOP28		1
CIN0010041	NOR FL,16MBIT,16BIT,MX29LV160CTTC-70G, TSOP48		1
CON0001075	CONN.BLK PICO FLEX 12 VIE 1.27		1
CON0001076	CONN.BLK PICO FLEX 16 VIE 1.27		1
CON0001078	CONN.BLK PICO FLEX 26 VIE 1.27		1
CON0001079	CONN. USB 67068-0000		1
CON0005001	CIRCULAR 5-PIN DIN GQ004005		3
CON0005011	MIDI MG/PR6L PLUG STE.(EC.5)		1
CON0005012	JACK STEREO JALCO YKB21-5074G		2
CON0010000	CONN. M. VER. PTH, 2 FILE, 8 VIE, 1.27MM		1
CON0010001	CON. M. V. PTH, 2 F., 10 V., 1.27MM, 90325-0010		1
CON0010009	USB TYPE A,		1
CON0010012	MALE CONN. HOR. PTH 1F. 7V. 2,5MM S7BEH JST		1
CON0010018	MALE CONN. HOR. PTH 1F. 5V. 2,5MM S5BEH JST		1
CON0010022	MALE CONN. VER. PTH 1F. 6V. 3,96MM B6P-VH-K JST		1
CON0010039	STRIP M. VER. PTH,2F,22V,2MM, H10 CH75442V111		3
DIX0006000	SMD DOUBLE DIODE DA204KT146		9
DIX0006003	DIODE SMD RLS-4148		4
FER0010078	CUSNP AWG CONTACT SRING		2
QUA0006006	X-CRYSTAL SMD HCM49 33MHZ		1
QUA0010000	X-CRYSTAL SMD HCM49 12MHZ		1
TRS0002004	TRANSISTOR NPN 2SD2114KT		1
TRS0002006	REG.+5V 0.5° BA178M05FP		1
TRS0002007	REG.+3.3V 0.5° BA033FP		1
TRS0002009	REG. 79L05(SOT89) 100MA SMD		1
TRS0010002	LINEAR REG. 1,2V, 0,8°, LD1117S12, SOT223		1
TRS0010004	LINEAR REG. ADJ, 3°, LM1085ISX-ADJ, D2PACK		1

# Pa800 PART LIST

## PART LIST AMPLIFIER GRA0002103

CODE	DESCRIPTION	REFERENCE	Q.TY
BOB0005001	BOB. VK200 2,0 SPIRE		4
CIN0002040	I.C.NJM4580M OP.AMP.		1
CIN0002050	IC TC2001 PWM CONTR. STAGE		1
CON0001075	CONN. BLK PICO FLEX 12 VIE 1.27		1
CON0010015	CONN. M. VER. PTH 1F. 4V. 2,5MM B4B-EH-A JST		3
CON0010022	CONN. M. VER. PTH 1F. 6V. 3,96MM B6P-VH-K JST		2
DIX0006003	DIODE SMD RLS-4148		6
DIX0010000	DIODE ULTRA FAST 1°, 50V MURS105T3/ER1A, SMB		12
FER0001107	HEATSINK 7141D		1
TRS0002001	TRANSISTOR NPN DTC114EKA SMD		2
TRS0005005	REG.POS. 1° +12 LM 7812		1
TRS0005006	REG NEG. 1° -12 LM 7912		1
TRS0005008	REG. +5V 7805		1
TRS0010003	POWER STAGE CLASSE T, 70W, MP8040, SO8		4
TRX0005003	TRIMMER MULTIGIRI VERT.5K 3296W-1-502		2

## PART LIST KEYBOARD INTERFACE GRA0002105

CODE	DESCRIPTION	REFERENCE	Q.TY
CIN0002012	I.C.TC74HC138 AFN SMD		2
CIN0002056	IC.SW/LED/KBD SCAN. (NKS3,5) HD6433394A35F(S)		1
CIN0004005	RES.GEN.3,3V ETC811SUC		1
CIN0010009	OPAMP. R.TO R. 2CH LMC662CM SOP8		1
CON0001048	MALE CONN. 4V. P.2.54		1
CON0001076	CONN.BLK PICO FLEX 16V. 1.27		2
CON0010001	CONN. M. VER. PTH 2F. 10V. 1.27MM 90325-0010		1
QUA0006004	X-CRYSTAL SMD HCM49 16MHZ		1
TRX0005002	TRIMMER ORIZ.P5MM 470K		1

## PART LIST LCD INTERFACE GRA0002107

CODE	DESCRIPTION	REFERENCE	Q.TY
BOB0005001	BOB. VK200 2,0 SPIRE		1
CON0001078	CONN.BLK PICO FLEX 26 V. 1.27		1
CON0001099	CONN. HOR FFC 16V. 1MM (52043-1610)		1
CON0001100	CONN. HOR FFC 4V. 1MM (52043-0410)		1
CON0001109	MALE CONN. IL-G-4P-S3T2-E (JAE)		1
TRA0005001	INVERTER PER LCD DC-AC 4,5W 10A		1

## Pa800 PART LIST

### PART LIST OUTPUT BOARD GRA0002108

CODE	DESCRIPTION	REFERENCE	Q.TY
CIN0002040	I.C.NJM4580M OP.AMP.		6
CIN0002051	I.C.NJM2060M QUAD OP.AMP.		1
CIN0003011	I.C. NMJ4556 AM SMD		1
CON0001075	CONN.BLK PICOFLEX 12 VIE 1.27		1
CON0001078	CONN.BLK PICOFLEX 26 VIE 1.27		1
CON0005012	JACK STEREO JALCO YKB21-5074G		6
CSTS002108	CST 2L KIP2108, SCHEDA PRESE PA800		1
DIX0006000	DOUBLE DIODE SMD DA204KT146		6
DIX0006003	DIODE SMD RLS-4148		2
DIX0006004	DIODE SMD SHOTTLY RB051L-40TE25		4
POT0001005	POT. ROT. C.L. 10KC H 6.5 OR		2
TRS0002001	TRANSISTOR NPN DTC114EKA SMD		1
TRS0002002	TRANSISTOR PNP DTA114EKA SMD		1
TRS0002004	TRANSISTOR NPN 2SD2114KT		6
TRS0002016	TRANSISTOR PNP SMD VCE=45, IC=0.5, BC807		1

### PART LIST HEADPHONE BOARD GRA0002110

CODE	DESCRIPTION	REFERENCE	Q.TY
BOB0005001	BOB VK200 2,0 SP.		2
CON0005007	JACK CUFFIA GP000647		1
CON0010015	MALE CONN. VER. PTH 1F. 4V. 2,5MM B4B-EH-A JST		1

### PART LIST RIGHT PANEL BOARD GRA0002111

CODE	DESCRIPTION	REFERENCE	Q.TY
CIN0010002	PSOC UC CYPRESS CY8C24423A-24SXI SOP28		1
CIN0010014	LOGIC CIRC. NOT, CD74ACT04M, SOP14		2
CON0010000	MALE CONN. VER. PTH 2F. 8V. 1.27MM		2
CON0010001	MALE CONN. VER. PTH 2F. 10V. 1.27MM 90325-0010		1
DIX0010003	SW. DIODE, 100MA, 80VR, 1.2VF, EMP11, SOT563		9
INT0001008	TACT SWITCH		34
LED0005004	DIODE LED BICOLOR 3MM RED/GREE ALTA EFF.		1
LED0010002	DIODE LED PTH 3MM, RED		24
TRS0002007	REG.+3.3V 0.5° BA033FP		1
PLA0010064	LED SPACER P2.54		2

## Pa800 PART LIST

### PART LIST LEFT PANEL BOARD GRA0002112

CODE	DESCRIPTION	REFERENCE	Q.TY
CIN0002012	I.C.TC74HC138 AFN SMD		2
CIN0010002	PSOC UC CYPRESS CY8C24423A-24SXI SOP28		1
CIN0010014	LOGIC CIRCUIT. NOT, CD74ACT04M, SOP14		4
CON0001087	MALE CONN. 6V. PH20W6R HOR.		1
CON0010001	MALE CONN. VER. PTH 2F. 10V. 1.27MM 90325-0010		2
DIX0010003	SW. DIODE, 100MA, 80VR,1.2VF,EMP11,SOT563		15
INT0001008	TACT SWITCH		60
LED0005004	DIODE LED BICOLOR 3MM RED/GREE HIGH EFF.		1
LED0010002	DIODE LED PTH 3MM, RED		44
POT0001004	LINEAR POTENTIOMETER10KB PAR.POL		5
PLA0010064	LED SPACER P2.54		2

### PART LIST FRONT USB CONNECTOR GRA0002114

CODE	DESCRIPTION	REFERENCE	Q.TY
CON0010018	MALE CONN. HOR. PTH 1F. 5V. 2,5MM S5BEH JST		1
CON0010009	USB SOCKET TYPE A,		1

### PART LIST ROTARY ENCODER GRA0002115

CODE	DESCRIPTION	REFERENCE	Q.TY
DIX0005300	SIGNAL DIODE 1 N 4148		2
INT0001008	TACT SWITCH		2
INT0001015	INCREMENTAL ENCODER STEC12E07		1
CON0010000	MALE CONN. VER. PTH 2F. 8V. 1.27MM		1

### PART LIST MAIN FILTER GRA0002117

CODE	DESCRIPTION	REFERENCE	Q.TY
CON0010019	MALE CONN. VER. PTH 1F. 3V. 3,96MM B3P-VH-K JST		1
INT0001012	MAIN SWITCH SS-160-7-A		1
INT0001013	FLAT EAR MAIN SOCKET		1
PLA0001057	NYLON RING N16B RICHCO		1
RIL0001217	AWG HARNESS		1
VTA0001006	SCREW 3MX14TC		1
VTA0001023	M3 SELFLOCKING NUT		1
VTA0001048	WASHER 3X9X0.8		1

### PART LIST SOUND CONTROL PANEL GRA0002126

CODE	DESCRIPTION	REFERENCE	Q.TY
CON0010001	MALE CONN. V. PTH, 2F., 10V. 1.27MM, 90325-0010		1
DIX0010003	SW. DIODE, 100MA, 80VR,1.2VF,EMP11,SOT563		1
INT0001008	TACT SWITCH		2

# Pa800 PART LIST

## PART LIST HARNESES

CODE	DESCRIPTION	REFERENCE	Q.TY
CAV0010000	FLAT CABLE PANNELLO/DIAL X397S	UC2	1
CAV0010002	FLAT CABLE OUTPUT/AMP X397S	D LC1 PSG	1
CAV0010003	FLAT CABLE CPU/LCD IF X397S	UC1 MG	1
CAV0010004	FLAT CABLE MB/KEYB IF X397S	UC1 MG	1
CAV0010005	FLAT CABLE MB/RIGHT PANEL X397S	UC1 MG	1
CAV0010006	FLAT CABLE MB/OUT BOARD X397S	MG	1
CAV0010007	FLAT CABLE MB/MP3 BOARD X397S	UC1 MG	1
CAV0010008	FLAT CABLE R PANEL/L PANEL X397S	UC2	1
CAV0010009	FLAT CABLE MB/VIDEO BOARD X397S	UC1 MG	1
CAV0010010	FLAT CABLE KEYB IF/TAST LOWER X397S	KG	1
CAV0010011	FLAT CABLE KEEYB IF/TAST UPPER X397S	KG	1
CAV0010012	CABLE GND X397S	UC1 UC2	1
CAV0010013	CABLE GND LCD X397S	UC1 LCD	1
CAV0010014	CABLE GND MB X397S	D PSG	1
CAV0010015	CABLE GND OPTIONS X397S	UC1 MG	1
CAV0010017	FLAT CABLE PANEL L/PANEL SOUND	UC1	1
CAV0010025	CABLE GND KEYBOARD/HD IF	UC1 KG	1
RIL0001071	MAIN CABLE IS4/5USA		1
RIL0001281	JOYSTICK HARNESS PA 1X	UC1	1
RIL0010010	HARNESS ALIM. MB PA800	D LC1	1
RIL0010011	PEAKERS HARNESS LEFT/RIGHT PA800	LC1	2
RIL0010012	PRIMARY HARNESS PA800	PSG	1
RIL0010013	HEADPHONE HARNESS PA800	LC1	1
RIL0010014	HARNESS MB/HDD IF PA800	MG	1
RIL0010015	HARNESS MB/FRONT USB PA800	UC1 MG	1
RIL0010016	HARNESS ALIM./AMPLI PA800	LC1 PSG	1

## PART LIST SCREWS

CODE	DESCRIPTION	REFERENCE	Q.TY
VTA0001003	SCREW 2.9X9.5 TC SELFTHREADING BLACK	D KG	5
VTA0001004	SCREW 4X15 TFR NERA PASSO RAPI.	D LC1	15
VTA0001010	SCREW 3X16TFR HILO ZINC. BIANCA	LC1	4
VTA0001011	GROVER Ø4	PSG MG	3
VTA0001016	SCREW 3X20 TC PR NERA	KG	4
VTA0001023	M3 SELFLOCKING NUT	PSG	2
VTA0001030	SCREW 3MX8 TSP NERA	PSG	2
VTA0001031	SCREW 3MX6 TC NERE	MG	9
VTA0001032	SCREW 3MX8 TC NERE	PSG	8
VTA0001037	SCREW 2,9X6,5TC SELFTHREADING BLACK SP	D LC1 UC1 MG LCD	17
VTA0001038	SCREW 3X8 TC PR ZINC. BIANCA SP	LC1 UC1 UC2	49
VTA0001040	SCREW 4,2X8 TFR SELFTHR. ZINC. BIANCA SP	LC1 UC2	14
VTA0001048	WASHER 3X9X0.8 BIANCA	UC3 MG	5
VTA0001050	SCREW M4X8 TC SELFTAPPING WHITE	PSG MG	3
VTA0001051	SCREW 3X13 TCPR BLACK	LC2 UC1 UC2 UC3	24
VTA0001054	SCREW 4X20 TFR PR BLACK	LC2	19
VTA0001067	SCREW 3.5X16 TC AGG-BZ	D UC1	19
VTA0001068	SCREW 2.9X16 TC BLACK	UC3	2
VTA0001070	SCREW 3.5X25 TC BLACK	UC1	6
VTA0010022	WASHER 14X5,3X1 UNI 1739	UC3	2
VTA0010033	WASHER Ø3X0.5	PSG	1
VTA0010034	WASHER Ø4X0.8	PSG MG	4

# Pa800 PART LIST

## PART LIST PLASTIC COMPONENTS

CODE	DESCRIPTION	REFERENCE	Q.TY
PLA0001037	BASS REFLEX TUBE	LC2	2
PLA0001046	SMALL CABLE-HOLDER CLIP	UC1 UC2 PSG MG KG	11
PLA0001047	BIG CABLE-HOLDER CLIP	LC1 UC1 UC3	5
PLA0001062	CABLE-HOLDER FCV-100 PAN TY	UC1 MG	3
PLA0001094	CST SPACER 6MM SRS4-04-01	KG	4
PLA0001130	FLAT CABLE HOLDER CFCC-8-04°	LC1	1
PLA0001133	DIAL SUPPORT	UC2	1
PLA0001134	DIAL SWITCH (UP)	UC2	1
PLA0001135	DIAL SWITCH (DOWN)	UC2	1
PLA0001136	DIAL KNOB	FV	1
PLA0001139	SWITCH P17 WITH LED PA1XPRO	UC2	20
PLA0001140	SWITCH P17 WITHOUT LED PA1XPRO	UC1 UC2	11
PLA0001141	SWITCH P19 WITH LED PA1XPRO	UC2	19
PLA0001142	SWITCH P19 WITHOUT LED PA1XPRO	UC2	13
PLA0001144	LED PROTECTION	UC2	8
PLA0001146	SLIDER KNOB	FV	3
PLA0001148	RED SWITCH P19 WITH LED	UC2	1
PLA0001157	MAIN SWITCH	D	1
PLA0010013	SPACER H14 D4.5 F2.5	MG	4
PLA0010021	RUBBER CABLE-PROTECTION	UC3	2
PLA0010033	RICHCO CABLE HOLDER EXWHC-0500-01	UC1	1
PLA0010035	SWITCH P17 WITH LED ( NOVODUR 700700)	UC2	20
PLA0010036	SWITCH P17 WITHOUT LED (NOVODUR 700700)	UC2	10
PLA0010037	SWITCH P19 WITH LED (NOVODUR 700700)	UC2	2
PLA0010039	SLIDER KNOB ( NOVODUR 700700)	FV	2
PLA0010052	PAINTED\SILKSCREENED V2 UPPER CASE	UC3	1
PLA0010053	PAINTED V2 LOWER CASE	LC2	1
PLAL001007	PAINTED LCD PANEL	LCD	1

## PART LIST METAL COMPONENTS

CODE	DESCRIPTION	REFERENCE	Q.TY
FER0001116	HDD PROTECTION PANEL	LC2	1
FER0001208	MUSIC REST FIXING PROFILE	UC3	2
FER0010019	POWER SUPPLY-AMPLIFIER SUPPORT	PSG	1
FER0010020	OUTPUT BOARD-CPU SUPPORT	MG	1
FER0010048	MUSIC REST		1
FER0010059	MAIN BOARD SHIELD	MG	1
FER0010060	POWER SUPPLY PROTECTION GRID	LC1	1
FER0010062	RIGHT SPEAKER GRID	UC3	1
FER0010063	LEFT SPEAKER GRID	UC3	1
FERL001030	MP3 PROTECTION PANEL	D	1
FERL001031	VIDEO BOARD PROTECTION PANEL	D	1



# Pa800 PART LIST

## OTHER COMPONENTS

CODE	DESCRIPTION	REFERENCE	Q.TY
ALT0001005	TWEETER-8 IS40	LC1	2
ALT0001011	WOOFER -4 X8960	LC1	2
BOB0001001	FERRITE RT25-150-120-K5B	UC2	1
BOB0001003	FERRITE MOD.RT 145-103-080	MG	1
BOB0001005	FERRITE X FLAT CABLE RFS2-21-15-A5	UC2	1
FDD0001019	JOYSTICK SILVER PA 1X (TRITON SERIES)	UC1	1
LCD0001004	DISPLAY PA800	LCD	1
TAS0010002	KEYBOARD TP9 AFTER TOUCH DX	KG	1
TRA0004001	SWITCHING POWER SUPPLY PT65C X8960	PSG	1
FEL0001022	FIBERFORM 62 TE 200X200X40 -PA80-PA60	LC1	2
FEL0001029	ART.389 3M 18MMX50 ADHESIVE TAPE	LC1 PSG MG LCD	0,65
FEL0001030	BLACK BUMPON 3M ART.SJ5023	LC2	6
FEL0001040	ADHESIVE RUBBER 5X10X30	LC2	2
FEL0001052	ADHESIVE FELT 16X40X1	LC1	6
FEL0001056	DOUBLE SIDE ADHESIVE TAPE 3M 969 12MMX33M	UC3	2,1
FEL0001058	ADHESIVE RUBBER 68X25X5 X8960	MG	2
FEL0001103	MASTICE 3M EC5313 2MMX7MM X15MT	LC1 UC1 UC2 MG	0,3
FEL0010004	LEFT DUSTPROOF FILTER	UC3	1
FEL0010005	RIGHT DUSTPROOF FILTER	UC3	1
FEL0010009	SOUND CONTROLS VIBRATIONS REDUCTION FELT	UC1	1
FEL0010010	RIGHT VIBRATIONS REDUCTION FELT	UC2	1
FEL0010011	LEFT VIBRATIONS REDUCTION FELT	UC2	1
FEL0010012	LCD CONNECTIONS SHIELD	MG	1
FEL0010013	ADHESIVE FELT 15X75X1	LC1	3
FEL0010026	HEADPHONE LABEL	D	1
FEL0010035	BLACK ADHESIVE FELT 1308X14X1	LC1	1
FEL0010037	BLACK ADHESIVE FELT 200X14X1	LC1	2
IMB0001196	MUSIC REST CARDBOARD SHEET		1
IMB0010000	RIGHT CUSHION		1
IMB0010001	LEFT CUSHION		1
IMB0010002	REAR CARDBOARD SHEET		1
IMB0010003	REAR CREASED CARDBOARD SHEET		1
IMB0010004	PACKAGING BOX X3975		1
MAN0010002	ENGLISH USER MANUAL		1
MSD0001001	CD DRIVER USB, O.S. DOC.		1
LEG0001005	RIGHT ACOUSTIC BOX COVER PANEL	LC2	1
LEG0001006	LEFT ACOUSTIC BOX COVER PANEL	LC2	1