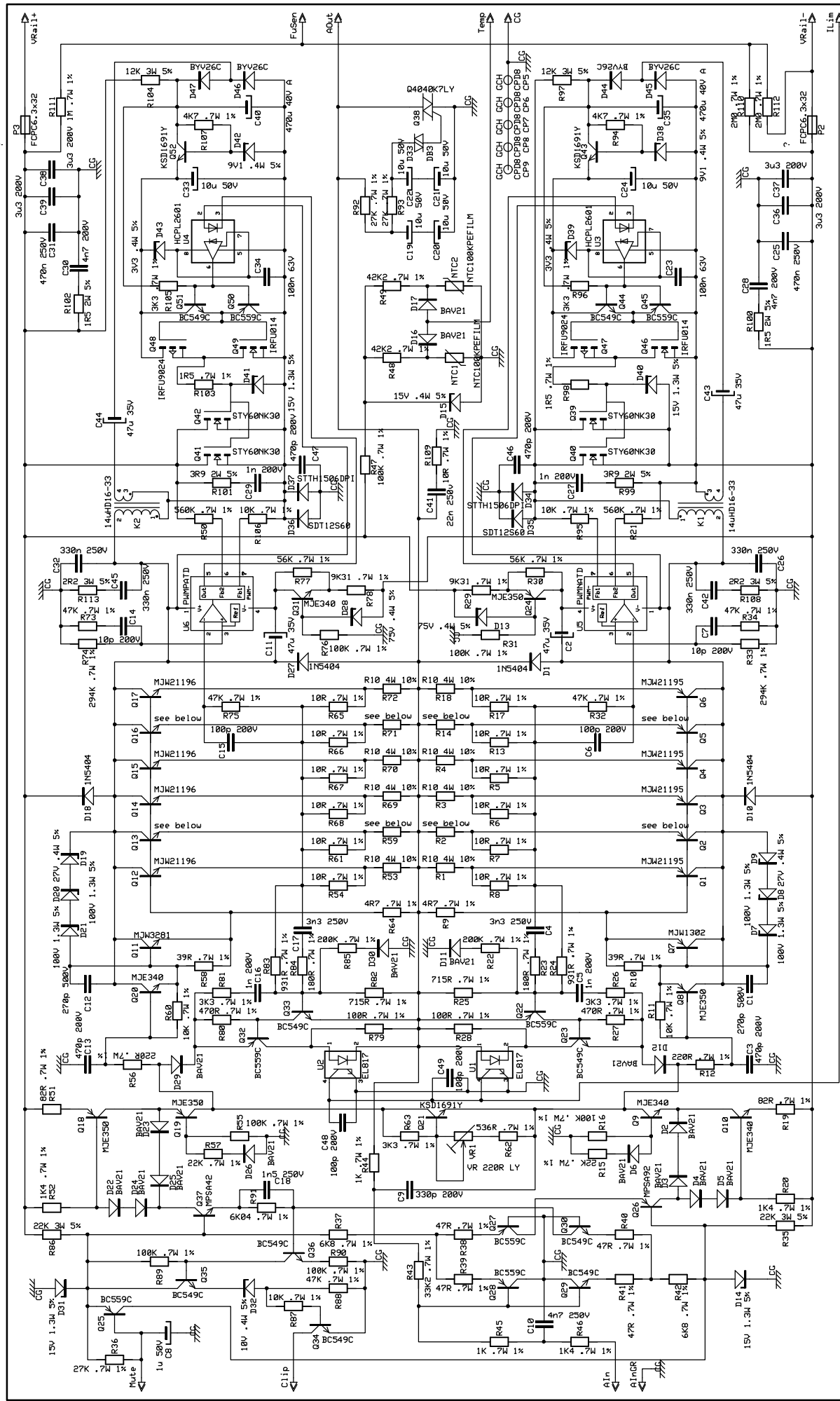


DESIGN KA	DRAWN	CHECKED	<b>A50TD</b>	REPLACES 060412	REPLACED BY
<b>LABGRUPPEN</b> KUNGSBACKA SWEDEN				DATE 061103	PAGE
<b>Amplifier 5kW class TD</b>					



DESIGN	DRAWN	CHECKED	REPLACES	REPLACED BY
KA	KA	KA	060412	A50TD
LABGRUPPEN KUNGSBACKA SWEDEN			DATE	PAGE
			061103	01
			DRAWING NO	A50TD05
Amplifier 5kW class TD				