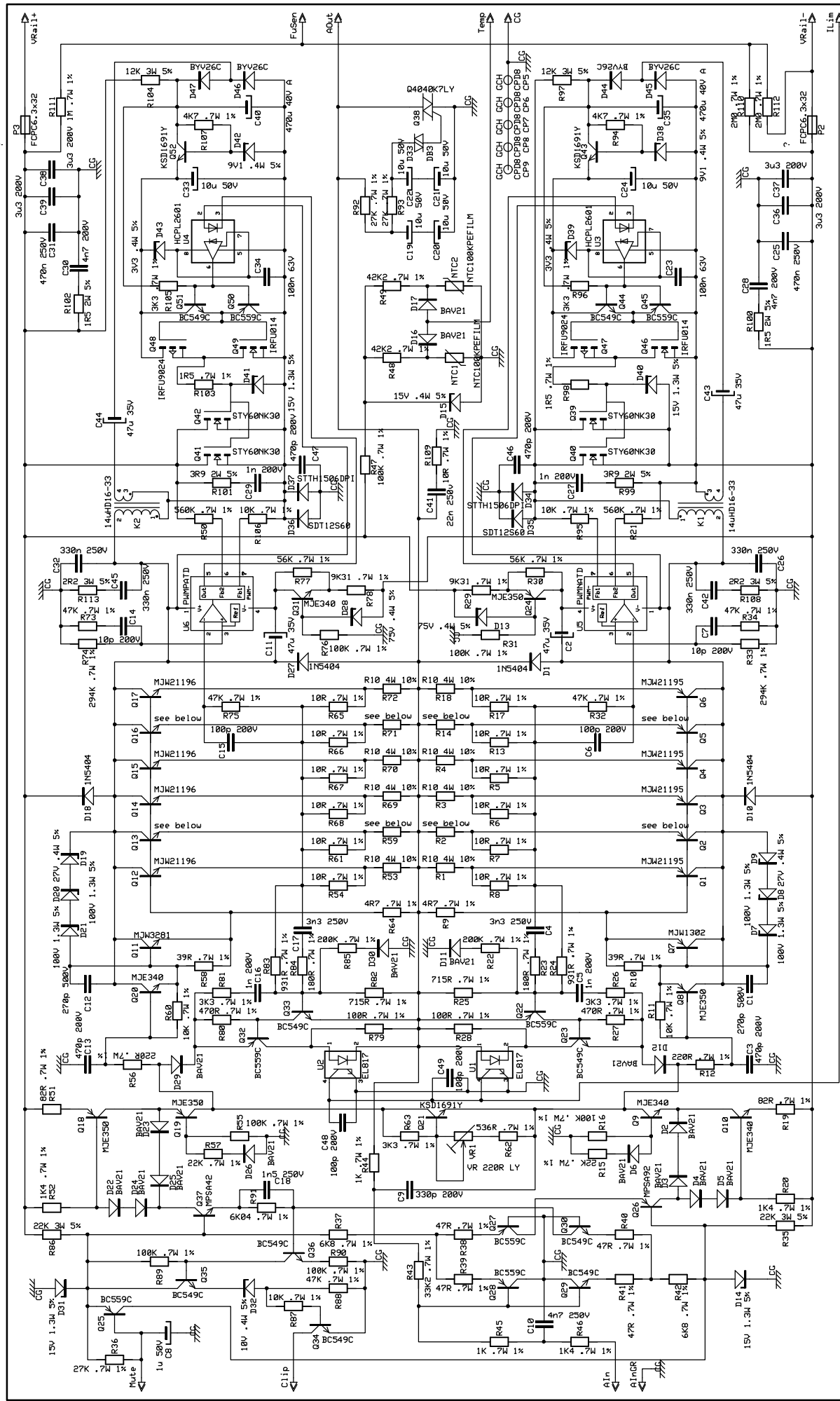


DESIGN KA	DRAWN	CHECKED	<b>A50TD</b>	REPLACES 060412	REPLACED BY
<b>LABGRUPPEN</b> KUNGSBACKA SWEDEN				Amplifier 5kW class TD	DATE 061103



DESIGN	DRAWN	CHECKED	REPLACES	REPLACED BY
KA	KA	KA	060412	A50TD
LABGRUPPEN			DATE	PAGE
KUNGSBACKA SWEDEN			061103	1
			DRAWING NO	A50TD05
			Amplifier 5kW class TD	