

# Laney

# Concept



## CD550 Mixer/Amplifier Service Information

**A new Concept  
for a new millennium**

Part Number - SM3039

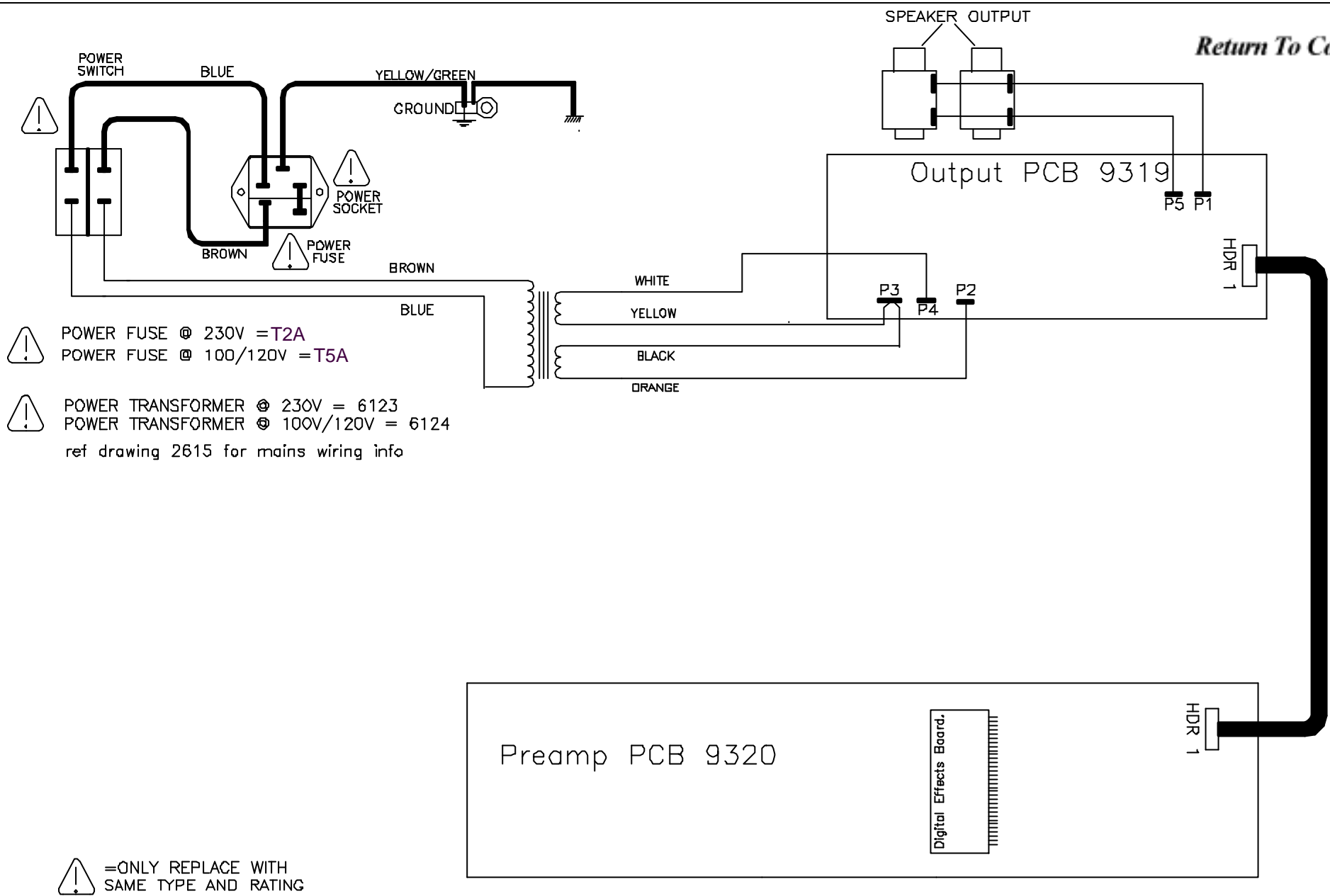
# Laney

Concept

## Contents

- 1.DWG 3043 Service Schematic**
- 2.DWG 2615 Mains Wiring**
- 3.DWG 3020 Block Diagram**
- 4.DWG 9320 Preamp Diagram (Issue 3 )**
- 5.DWG 9319 Power Amp Diagram (Issue 2 )**
- 6.DWG 9319 Power Amp Diagram (Issue 3)**
- 7.Pre-amp PCB Assembly List**
- 8.Output PCB Assembly List**
- 9.Final Assembly List**
- 10.Cabinet Assembly List**
- 11.Contact**

[Return To Contents](#)

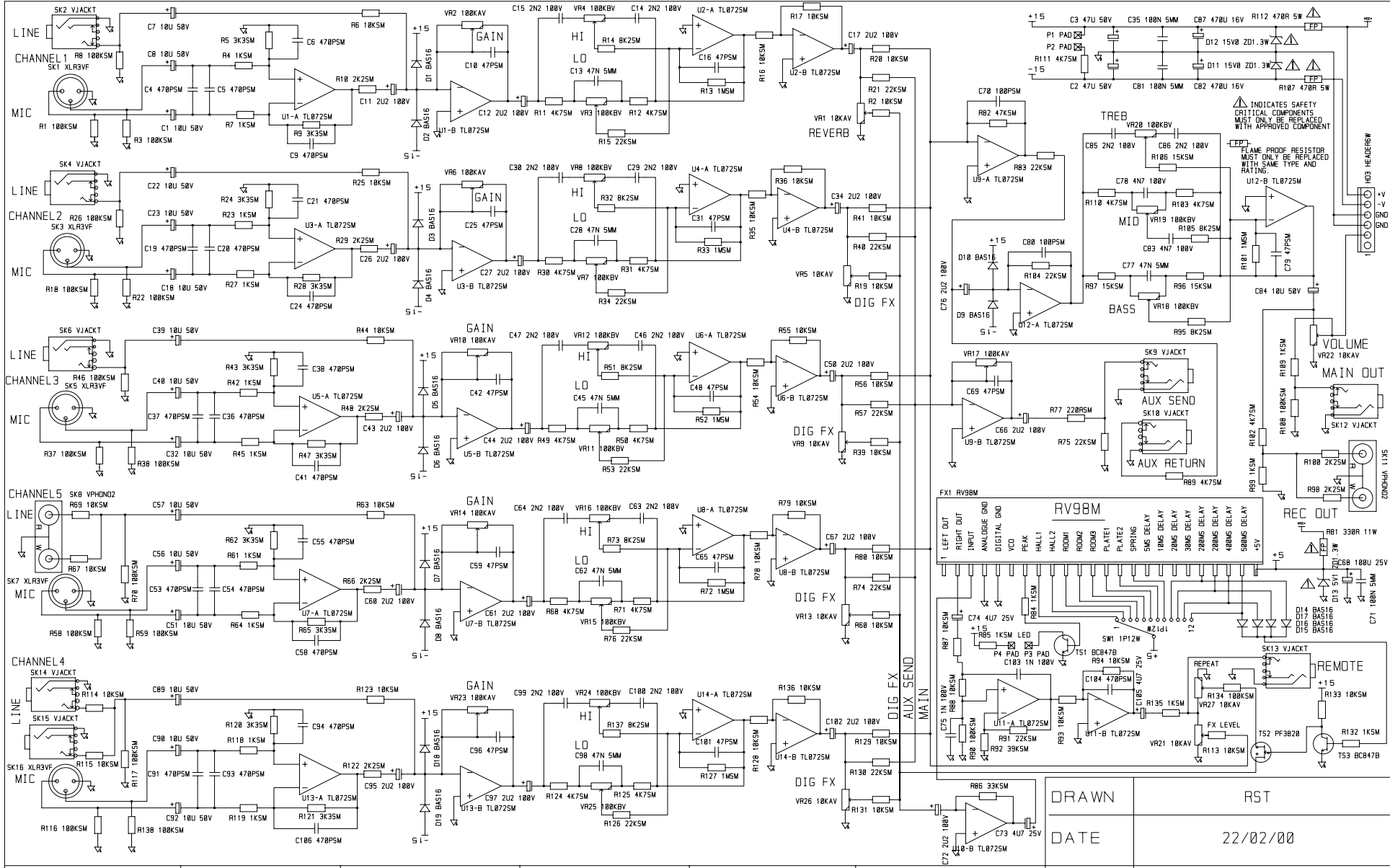


- ⚠ POWER FUSE @ 230V = T2A
- ⚠ POWER FUSE @ 100/120V = T5A
- ⚠ POWER TRANSFORMER @ 230V = 6123
- ⚠ POWER TRANSFORMER @ 100V/120V = 6124
- ref drawing 2615 for mains wiring info

ISSUE	DESCRIPTION	APPD.	DATE	TITLE	DRAWN	TRACED	CHECKED	APPROVED	DATE
				<b>BLT</b> <i>Industries Ltd.</i>	S.L.				17/11/99
						DRAWING No.	3027		
				CD550 Service Schematic PART No					







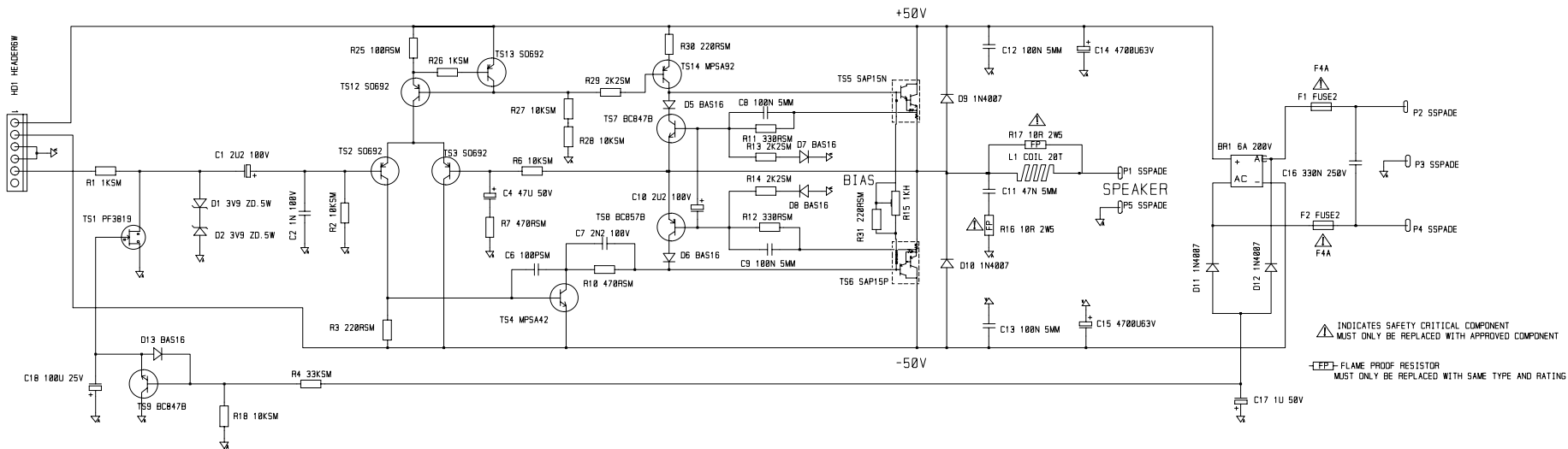
INDICATES SAFETY CRITICAL COMPONENTS MUST ONLY BE REPLACED WITH SAME TYPE AND RATING. U12-B TL072ZM

RV98M  
LEFT OUT INPUT ANALOGUE GND DIGITAL GND VCD PEAK HALL1 HALL2 RODM2 RODM3 PLATE1 PLATE2 SPRINGS 5MS DELAY 10MS DELAY 20MS DELAY 30MS DELAY 200MS DELAY 400MS DELAY 500MS DELAY +5V

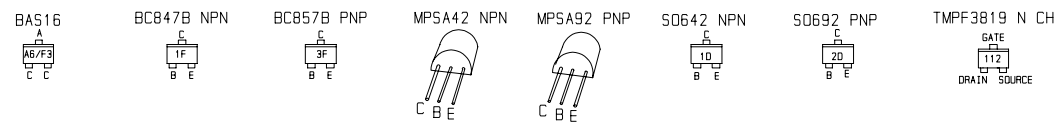
DRAWN	RST
DATE	22/02/00
TITLE	CD550 PREAMP
DRW. NO.	9327_3

ISSUE	3 09/12/99
TYPE	LAYOUT CHANGES

*Return To Contents*

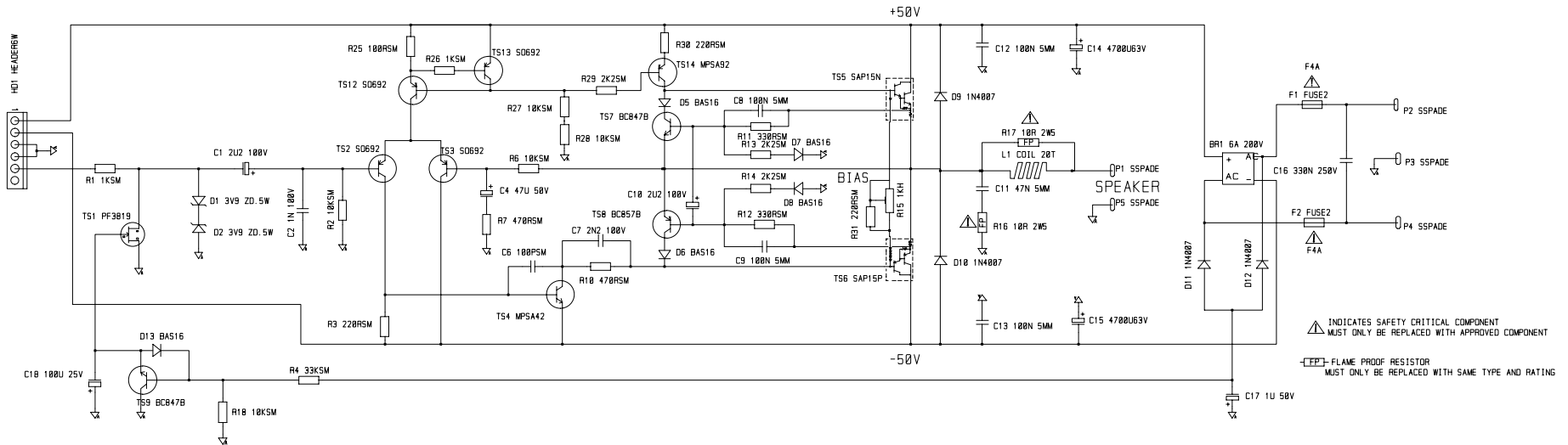


INDICATES SAFETY CRITICAL COMPONENT  
 MUST ONLY BE REPLACED WITH APPROVED COMPONENT  
 FLAME PROOF RESISTOR  
 MUST ONLY BE REPLACED WITH SAME TYPE AND RATING



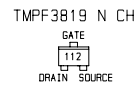
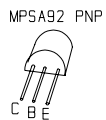
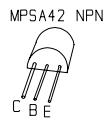
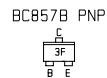
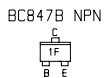
REFER TO SERVICE MANUAL BEFORE ADJUSTING BIAS

DRAWN		DEH	
DATE		21/09/99	
ISSUE	3 18/10/99		
TITLE		CR520/CD550 POWER MODULE	
TYPE	LAYOUT CHANGES	DRW. NO.	9319_3



▲ INDICATES SAFETY CRITICAL COMPONENT  
MUST ONLY BE REPLACED WITH APPROVED COMPONENT

⎓ FLAME PROOF RESISTOR  
MUST ONLY BE REPLACED WITH SAME TYPE AND RATING



REFER TO SERVICE MANUAL BEFORE ADJUSTING BIAS

DRAWN	DEH
DATE	21/09/99
TITLE	CR520/CD550 POWER MODULE
DRW. NO.	9319_3

ISSUE	3 18/10/99				
TYPE	LAYOUT CHANGES				



Assembly List For ( 006350) Preamp Assembly

Stock Code	Description	Qty Req
1300	ORO SHORTING LINK	34
1303	100R 5% RESISTOR	2
1305	2K2 5% RESISTOR	6
1306	10K 5% RESISTOR	43
1309	1M 5% RESISTOR	5
1310	100K 5% RESISTOR	18
1312	4K7 5% RESISTOR	13
1314	8K2 5% RESISTOR	7
1316	22K 5% RESISTOR	6
1317	39K 5% RESISTOR	1
1320	220R 5% RESISTOR	1
1326	3K3 5% RESISTOR	11
1327	1K 5% RESISTOR	12
1331	33K 5% RESISTOR	1
1334	150K 5% RESISTOR	1
1700	470R 5W RESISTOR	2
1713	330R 11W RESISTOR	1
1920	ZERO OHM RESISTOR	1
2004	47UF 50V RADIAL	2
2013	10UF 50V CAPACITOR	13
2020	470UF 16V RADIAL	2
2024	2.2UF 63V RADIAL	12
2026	.47UF 63V RADIAL	5
2200	220NF 100V 10MM	1
2413	1N5 100V 5mm	1
2415	2.2NF 100V 5mm	12
2419	100NF 63V 5mm	6
2420	22NF 100V 5mm	1
2425	47NF 100V 5mm	5
2426	15NF 100V 5mm	1
2602	47PF 50V 10% COG	6
2603	100PF 50V 10% COG	10
2604	270PF 50V 10% COG	2
2605	470PF 50V 10% COG	20
3009	5mm RED LED	2
3009A	5mm LED CLIP	2
3014	15V 1.3W ZENER	2
3039	5V1 1.3W ZENER	1
3500	BAS16 TRANSISTOR	10
3506	TMPF3820 TRANSISTOR	1
3508	34072 IC (SMD TL072)	14
4105	B100K 37.5mm POT	13
4106	A100K 37.5mm POT	6
4107	A10K 37.5mm POT	8
5036	6 WAY LOCKING HEADER	1
5306	DUAL PHONO VERT PC	2
5307	X902-03 XLR	5
5309	6.3MM PHONE JACK	9
5313	12 POS ROTARY SWITCH	1
9327	CD550 PREAMP	1

Assembly List For ( 006344) Output Assembly

Stock Code	Description	Qty Req
1300	ORO SHORTING LINK	4
1303	100R 5% RESISTOR	4
1304	820R 5% RESISTOR	1
1305	2K2 5% RESISTOR	3
1306	10K 5% RESISTOR	4
1311	470R 5% RESISTOR	1
1320	220R 5% RESISTOR	1
1327	1K 5% RESISTOR	2
1329	330R 5% RESISTOR	1
1331	33K 5% RESISTOR	1
1500	10R 2.5W RESISTOR	2
1920	ZERO OHM RESISTOR	2
2004	47UF 50V RADIAL	2
2006	4700UF 63V RADIAL	2
2014	100UF 35V RADIAL	1
2024	2.2UF 63V RADIAL	2
2025	1UF 63V RADIAL	1
2200	220NF 100V 10MM	1
2415	2.2NF 100V 5mm	2
2419	100NF 63V 5mm	4
2425	47NF 100V 5mm	1
2817	100PF 100V CERAMIC	1
3000	1N4007 DIODE	4
3007	3V9 .5W ZENER DIODE	2
3016	6A 200V BRIDGE	1
3411	MPSA42/43 TRANSISTOR	1
3412	MPSA92/93 TRANSISTOR	1
3500	BAS16 TRANSISTOR	5
3502	SO692 TRANSISTOR	4
3503	BC847B TRANSISTOR	2
3504	BC857B TRANSISTOR	1
3507	TMP3819 TRANSISTOR	1
3807	SAP15N	1
3808	SAP15P	1
4000	1K HORIZ PRESET	1
5006	20 TURN COIL	1
5022	PCB FUSE CARRIER	2
5030	HEATSINK TV5	1
5036	6 WAY LOCKING HEADER	1
5038	1/4" SPADE TERMINAL	3
5067	TO3P SIL PADS	2
5686	NEW SPADE TERMINAL	2
9234	4*1/2" AB POZI	2
9319	CR520 O/P	1
588006	POP RIVET (BLACK)	2
8P-8859	CR520 HTSK BRKT	1
5101	20MM FAST 4A FUSE	2

Assembly List For ( 007668) Final Assembly

Stock Code	Description	Qty Req
5005	NEW TYPE MAINS SOCKET	1
5310	RV98M	1
5511	5MM SOLDER TAG	1
5526	20mm T2A FUSE	1
5542	ROCKER SWITCH	1
5558	100mm TIE WRAP	10
5658	LONG BOARD SPACER	4
5666	RED P402 KNOB	8
5667	BLUE P402 KNOB	13
5668	BEIGE P402 KNOB	7
6344	Output Assembly	1
6350	Preamp Assembly	1
8701	MXA100 SHORT LOOM	1
9160	4mm HEX NUT	2
9161	4mm INT. SHAKEPROOF	2
9162	4*12mm PAN POZI	2
9171	M5 INT SHAKEPROOF	2
9181	5mm BRASS HEX NUT	1
9189	5mm CAGE NUT	4
9200	NO 6*3/8 FLANGE POZI	2
9204	NO 4*1/4 PLASTITE	15
9217	4mm NUTSERT	8
9234	4*1/2" AB POZI	4
10004	MONO JACK SOCKET	2
540038	EARTH WARNING LABEL	1
541004	HC25/50 4.8 FASTON	9
541053	1/4" LG RECEPTACLE	4
586003	M8 * 60 COACH BOLT	1
588006	POP RIVET (BLACK)	2
5P-587003	30mm WASHER	1
8P-8444	75MM HEATSINK	1
8P-8846	CR520 CHASSIS	1
8P-8847	CR520 H/S TUNNEL	1
8P-8863	CD550 FACIA	1
8P-8864	CD550 REAR	1
8T-6123	RBW300 TX	1

Assembly List For ( 20471) Cabinet Assembly

Stock Code	Description	Qty Req
10039	PENN CORNER C1839K	8
10055	PLASTIC CABINET FOOT	4
10100	STRAP HANDLE	1
10200	M5 x 10mm TEENUT	2
10202	5mm X 25mm CSK POZI	2
10250	M5*45 FLANGE	4
10224	35mm FINISHED NAILS	12
10225	STAPLES 97/12	3
10234	No 8 X 3/4 CSK POZI	16
10301	18mm CHIPBOARD	0
10326	BLACK CARPET	0
10600	32/18 STAPLES	12
10621	POLY. BAG 30(0) X 36	1
10629	MASKING TAPE 1.5"	1
10880	CARTON CR120	1
10893	CR120/CR150 INSERT	1
584000	NO6*1/2 FLANGE POZI	4
8P-8857	BLACK CR VENT	1

# Concept

## Laney

**Newlyn Road  
Cradley Heath  
West Midlands  
B64 6BE  
U.K.**

**<http://www.laney.co.uk>**